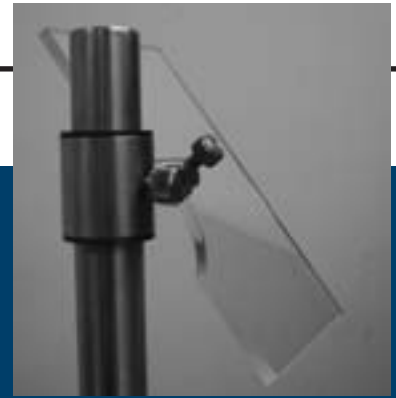


PIVOTEER SNEEZE GUARD

MODEL # SG

Barrel Style



SPECIFICATIONS

The SG Pivoteer Sneeze Guards have total flexibility allowing the glass food shield to adjust for self serve or non self serve applications with a simple pivot mechanism manufactured of stainless steel that can easily adjust up or down on a 1-1/2" vertical stainless post.

The Pivoteer Glass Holder is offered in a Barrel or Paddle style. The unit can be specified as a Vertical Sneeze Guard, Vertical Sneeze Guard with Top Glass Shelf or a Dual Sided version with Top Glass. There are four options available for lighting, heating or a combination of heating and lighting.

Paddle Style



STANDARD FEATURES

- Posts: 1-1/2" O.D. 16 gauge stainless steel seamless tube with welded top cap, ground smooth and polished
- Hardware: Adjustable - Stainless steel machined cylinder with stainless steel knurled thumb screens allowing for simple height and angle adjustment
- Glass: Tempered with all 4 edges polished. All corners have a 1" radius. Available in 1/4" or 3/8" thick, up to 60" long.

OPTIONAL FEATURES

- Incandescent lights in stainless steel housing
- Fluorescent lights in stainless steel housing
- Xenon lights in stainless steel housing
- LED lights in stainless steel housing
- Infrared heat lamp in stainless steel housing
- Halogen heat lamp in stainless steel housing
- Halogen heat lamp with Xenon lights in stainless steel housing
- Remote on/off switches
- End Glass

SPECIFY STYLE:

- SG-300S - Barrel Pivoteer for 1/4" thick glass
- SG-300F - Paddle Pivoteer for 1/4" or 3/8" thick glass

SPECIFY TYPE:

- VG - Vertical Sneeze Guard
- PG - Vertical Sneeze Guard w/ Glass Top Shelf
- DG - Dual Sided Vertical Sneeze Guard

GLASS - CLEAR TEMPERED:

- 1/4" Thick 3/8" Thick

SURFACE MOUNT:

- Stainless Steel Counters (Not Recommended)
- Millwork Counters w/ Plastic Laminated Tops
- Millwork Counters w/ Stone Tops (Not Recommended)

UNDERCOUNTER MOUNT:

- Stainless Steel Counters
- Millwork Counters w/ Plastic Laminated Tops
- Millwork Counters w/ Stone Tops

ITEM: _____ QUANTITY: _____

LENGTH: _____

CALL TOLL FREE: 800-525-3692 (609-714-2330)

FAX: 609-714-2331 www.rpiindustries.com

220 ROUTE 70, MEDFORD, NJ 08055

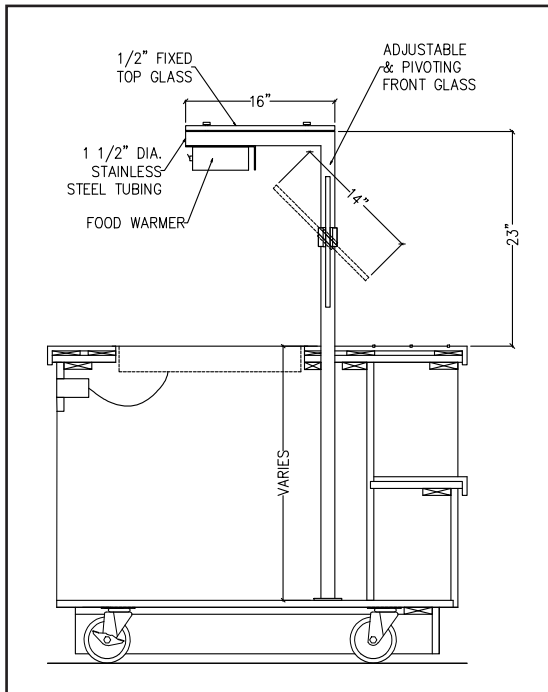
RPI REGAL
PINNACLE
INTEGRATIONS INDUSTRIES, INC.

PIVOTEER SNEEZE GUARD

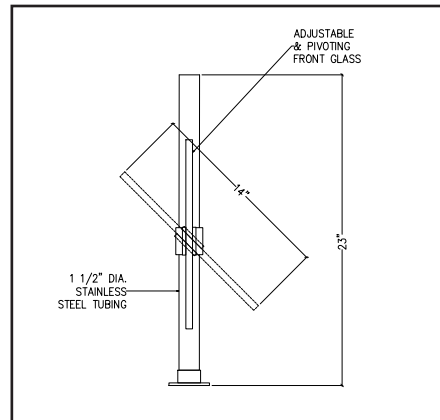
TOLL FREE: 800-525-3692

MODEL # SG

TYPICAL INSTALLATION

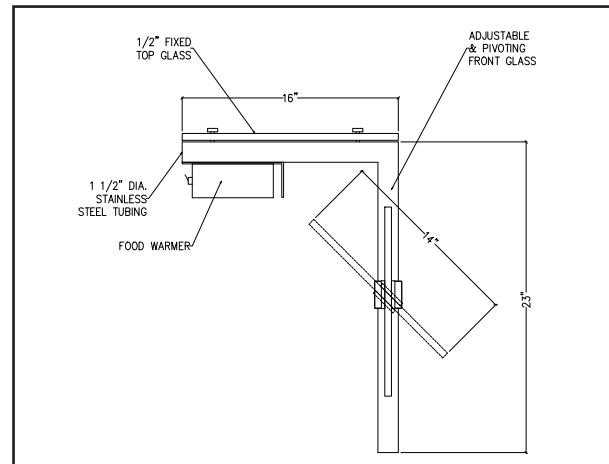


VERTICAL SNEEZE GUARD



Conforms to UL Standard 471, and NSF Standard 7; Certified To CSA Standard C22.2 No.120

VERTICAL SNEEZE GUARD WITH GLASS TOP SHELF



HEATING AND LIGHTING ELECTRICAL INFORMATION

FLUORESCENT LIGHTING

Unit Size	Volts	Wattage	Amps
3'	120V	40	0.4
4'	120V	40	0.4
5'	120V	80	0.8
6'	120V	80	0.8

LED LIGHTING

Unit Size	Volts	Wattage	Amps
3'	120V	3.9	5
4'	120V	5.2	5
5'	120V	6.5	5
6'	120V	7.8	5

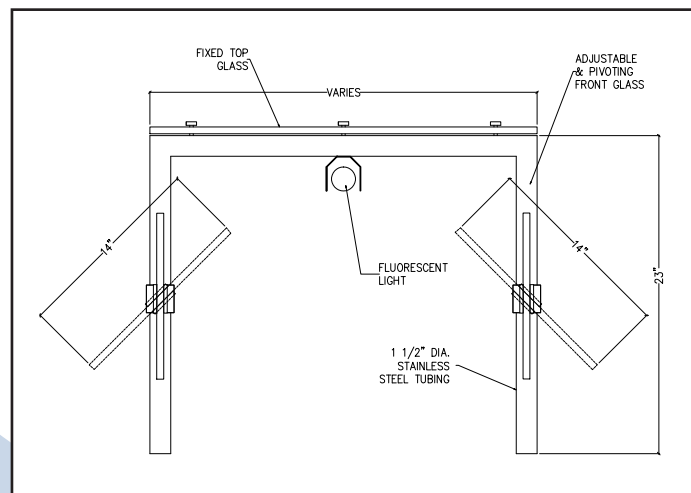
INFRARED HEAT LAMP

Unit Size	Volts	Wattage	Amps
3'	120V / 208V	800	6.6 / 3.84
4'	120V / 208V	1100	9.16 / 5.28
5'	120V / 208V	1400	11.7 / 6.73
6'	120V / 208V	1725	14.4 / 8.29

HALOGEN HEATING W/ XENON LIGHTING

Unit Size	Volts	Wattage	Amps
3'	120V	867	7.23
4'	120V	867	7.23
5'	120V	1172	9.77
6'	120V	1478	12.32

DUAL SIDED VERTICAL SNEEZE GUARD



RPI in line with its policy to continually improve its products reserves the right to change materials and specifications without notice.

CALL TOLL FREE: 800-525-3692 (609-714-2330)

FAX: 609-714-2331 www.rpiindustries.com

220 ROUTE 70, MEDFORD, NJ 08055

