

STYLE IA-12-ST

PROJECT: _____

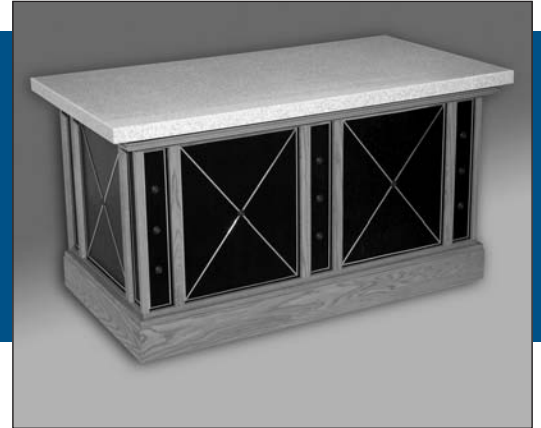
ITEM: _____ QUANTITY: _____

INTEGRATIONS

Shown with Optional Wenge Veneer Exterior and Zodiac Top

SPECIFICATIONS

The IA-12-ST is a modular serving counter display unit. Featuring a 14-gauge stainless steel top, stainless steel interior base, long grain red oak veneer on three sides with decorating criss cross brass inlay accents and oak vertical trim overlay. Solid oak base conceals the heavy-duty adjustable legs.



Available depths: 36"

Available lengths: 30" 42" 54" 66" 78" 90" 102"

STANDARD FEATURES

- 14-Gauge Stainless Steel Top
- Stainless Steel 18-Gauge Base Cabinet Open Rear
- 6" Adjustable Legs Concealed
- Red Oak Long Grain Veneer Fascia with Brass Inlays and Criss Cross Trim
- Solid Red Oak Vertical Trim and Tiered Base
- 8'-0" 120 Volt Cord and Plug with outlet
- Standard Stain Finish

- All Integration Series counter bases are fabricated in 18-gauge, type 304 stainless steel. Each counter top is fabricated in 14-gauge, type 304 stainless steel with a 2" drop edge and welded corners. Heavy duty 14-gauge cross bracing is provided as standard for additional stability and deflection resistance. Each unit is internally wired to accommodate either 120volt or 208volt operation to a factory-mounted junction box. All Integration Series counters are NSF listed for sanitation. All millwork exteriors are fabricated in accordance with AWI standards.

OPTIONAL FEATURES

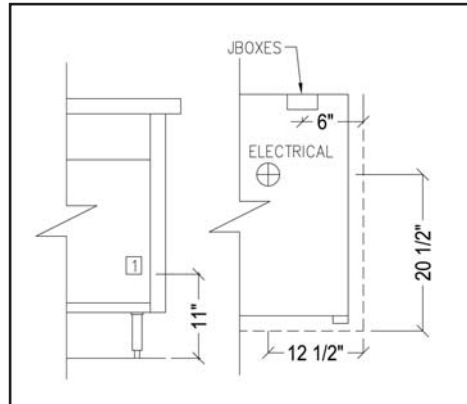
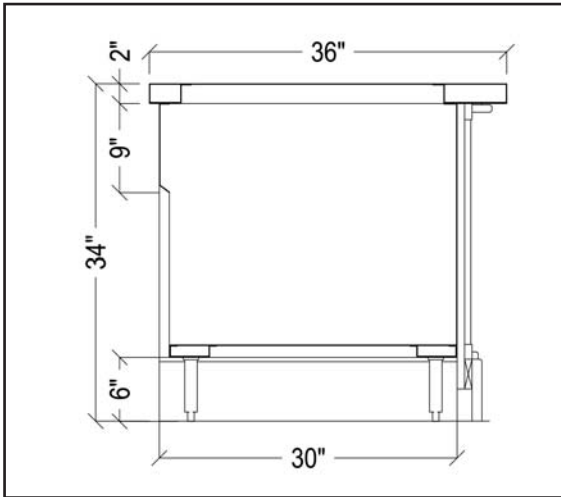
- Convenience Outlet Panel Mounted with a Cord and Plug
Specify Voltage, Wattage and Location
- Recessed Casters
- Louvers to Match Base
- Exterior Custom Stained
- Non-Standard Wood Veneer Species
 - Cherry Maple Mahogany Walnut Wenge
- Non-Standard Wood Trim
 - Maple Mahogany Walnut Cherry
- Pewter Accent Trim
- Polished Chrome Accent Trim
- Corian Top: Stock Colors
- Corian Top: Non-Stock Colors
- Zodiac Top: Stock Colors
- Zodiac Top: Non-Stock Colors
- Standard Grade laminate Top
- Top Extension up to 12"
- Top Extension up to 12" with Stainless Steel Runners
- Trayslide 12"
 - Stainless Steel Tubular Solid
 - Corian Stock Zodiac Stock Laminate
 - Corian Non-Stock Zodiac Non-StockAll Tray Slides Standard with (3) Stainless Steel Runners
- Stainless Steel Runners on 12" Extension
- Rear Doors
 - Stainless Steel Veneer
- Door Locks
- Island Style: Unit Will Change in Depth To 40"
- Sneeze Guard: Model #
- US-8 Upper Structure
Note: Upper Structure not available in 31" Unit
- Stainless Steel Drawer 18" x 18" x 4"



STYLE IA-12-ST

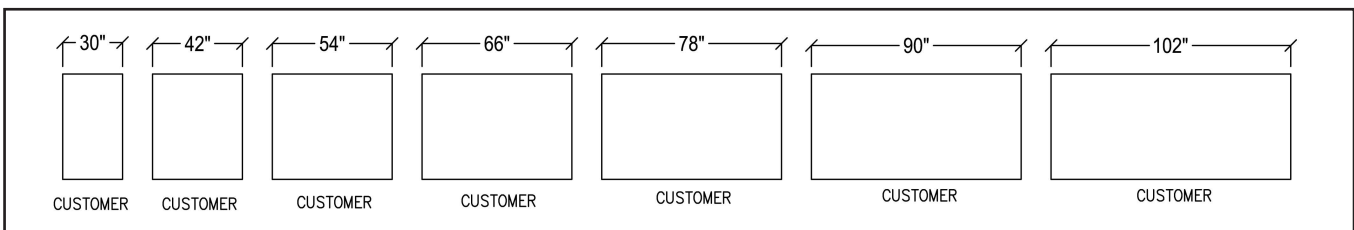
TOLL FREE: 800-525-3692

INTEGRATIONS



Electrical & Plumbing locations

1. Junction box for main power supply. 2. Junction box for drop in equipment 3. Junction box for sneeze upper unit.



MODEL	L	W	H	ELECTRICAL	NEMA PLUG	AMPS	WT
IA-12-ST-30	30"	36"	34"	120V/60/1 Phase	5-15P	12	276
IA-12-ST-42	42"	36"	34"	120V/60/1 Phase	5-15P	12	286
IA-12-ST-54	54"	36"	34"	120V/60/1 Phase	5-15P	12	371
IA-12-ST-66	66"	36"	34"	120V/60/1 Phase	5-15P	12	456
IA-12-ST-78	78"	36"	34"	120V/60/1 Phase	5-15P	12	541
IA-12-ST-90	90"	36"	34"	120V/60/1 Phase	5-15P	12	626
IA-12-ST-102	102"	36"	34"	120V/60/1 Phase	5-15P	12	711

RPI Industries, in line with its policy to improve its products, reserves the right to change materials or specifications without notice. Any adverse conditions will affect warranty.

CALL TOLL FREE: 800-525-3692 (609-714-2330)

FAX: 609-714-2331 www.regalpinncle.com

220 ROUTE 70, MEDFORD, NJ 08055

