

STYLE IA-2-ST

PROJECT: _____

ITEM: _____ QUANTITY: _____

INTEGRATIONS

Shown with optional Corian top.

SPECIFICATIONS

The IA-2-ST is a modular serving counter display unit. Featuring a 14-gauge stainless steel top, stainless steel interior base, painted wooden exterior on three sides with a wainscoting exterior front recessed painted accent panels. Matching painted wooden base conceals the heavy-duty adjustable legs.

Available depths: 38"

Available lengths: 24" 36" 48" 60" 72" 84" 96"



STANDARD FEATURES

- 14-Gauge Stainless Steel Top
- Stainless Steel 18-Gauge Base Cabinet Open Rear
- 6" Adjustable Legs
- Painted Exterior: Standard Colors
- 8'-0" 120 Volt Cord and Plug with outlet

- All Integration Series counter bases are fabricated in 18-gauge, type 304 stainless steel. Each counter top is fabricated in 14-gauge, type 304 stainless steel with a 2" drop edge and welded corners. Heavy duty 14-gauge cross bracing is provided as standard for additional stability and deflection resistance. Each unit is internally wired to accommodate either 120volt or 208volt operation to a factory-mounted junction box. All Integration Series counters are NSF listed for sanitation. All millwork exteriors are fabricated in accordance with AWI standards.

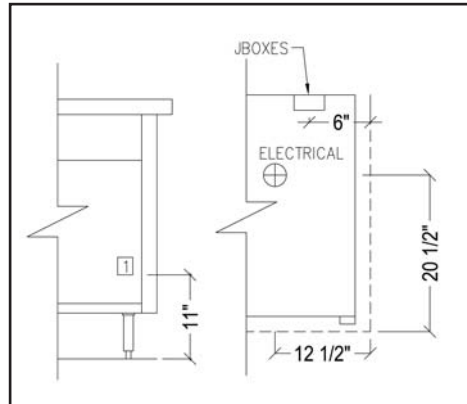
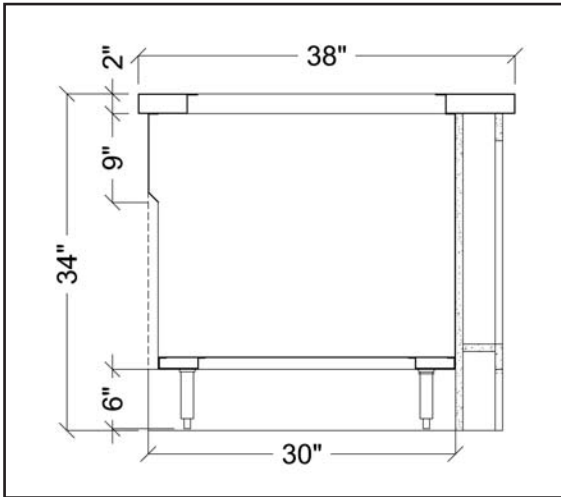
OPTIONAL FEATURES

- Stainless Steel Toe Base in Lieu of Wood Base
- Convenience Outlet Panel Mounted with a Cord and Plug
Specify Voltage, Wattage and Location
- Vertical Stainless Steel Corner Trim
- Casters
- Louvers to Match Base
- Exterior Painted Finish: Non-Standard Color
- Wainscot Recessed Panels: Non-Standard Color
- Corian Top: Stock Colors
- Corian Top: Non-Stock Colors
- Zodiacq Top: Stock Colors
- Zodiacq Top: Non-Stock Colors
- Standard Grade Laminate Top
- Top Extension up to 12"
- Top Extension 12" with Stainless Steel Tray Runners
- Trayslide12"
 - Stainless Steel Tubular Solid
 - Corian Stock Zodiacq Stock Laminate
 - Corian Non-Stock Zodiacq Non-StockAll Tray Slides Standard with (3) Stainless Steel Runners
- Rear Doors
 - Stainless Steel Laminate
- Door Locks
- Accent Recessed Lights at Display Shelf
- Island Style: Unit Will Change in Depth To 44"
- Sneeze Guard: Model #
- Stainless Steel Drawer 18" x 18" x 4"

STYLE IA-2-ST

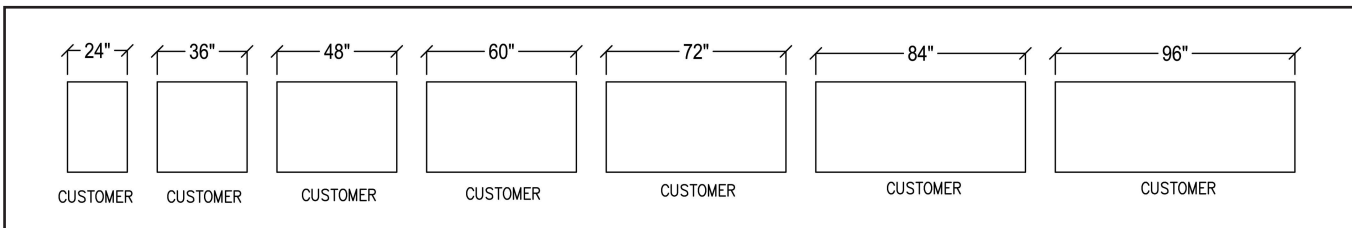
TOLL FREE: 800-525-3692

INTEGRATIONS



Electrical & Plumbing locations

1. Junction box for main power supply.
2. Junction box for drop in equipment
3. Junction box for sneeze upper unit.



| MODEL | L | W | H | ELECTRICAL | NEMA PLUG | AMPS | WT |
|------------|-----|-----|-----|-----------------|-----------|------|-----|
| IA-2-ST-24 | 24" | 38" | 34" | 120V/60/1 Phase | 5-15P | 12 | 240 |
| IA-2-ST-36 | 36" | 38" | 34" | 120V/60/1 Phase | 5-15P | 12 | 250 |
| IA-2-ST-48 | 48" | 38" | 34" | 120V/60/1 Phase | 5-15P | 12 | 325 |
| IA-2-ST-60 | 60" | 38" | 34" | 120V/60/1 Phase | 5-15P | 12 | 400 |
| IA-2-ST-72 | 72" | 38" | 34" | 120V/60/1 Phase | 5-15P | 12 | 475 |
| IA-2-ST-84 | 84" | 38" | 34" | 120V/60/1 Phase | 5-15P | 12 | 550 |
| IA-2-ST-96 | 96" | 38" | 34" | 120V/60/1 Phase | 5-15P | 12 | 625 |

RPI Industries, in line with its policy to improve its products, reserves the right to change materials or specifications without notice. Any adverse conditions will affect warranty.

CALL TOLL FREE: 800-525-3692 (609-714-2330)

FAX: 609-714-2331 www.regalpinncle.com

220 ROUTE 70, MEDFORD, NJ 08055

