

STYLE IA-5-ST

PROJECT: _____

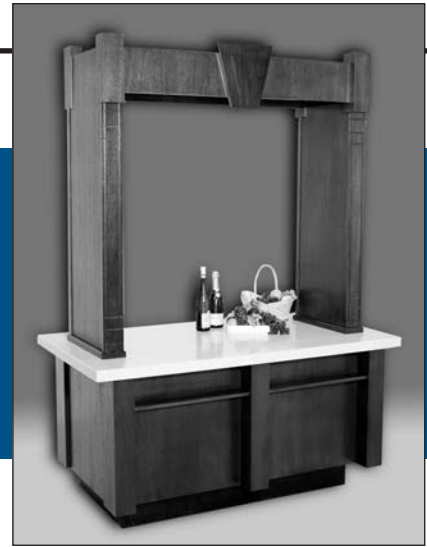
ITEM: _____ QUANTITY: _____

INTEGRATIONS

Shown with Optional Mahogany Finish Exterior, Corian Top and Upper Structure (US-2)

SPECIFICATIONS

The IA-5-ST is a modular serving counter display unit. Featuring a 14-gauge stainless steel top, stainless steel base, red oak exterior on three sides with a recessed front shelf. Black plastic laminate base conceals the heavy-duty adjustable legs.



Available depths: 38"

Available lengths: 25" 37" 49" 61" 73" 85" 97"

STANDARD FEATURES

- 14-Gauge Stainless Steel Top
- Stainless Steel 18-Gauge Base Cabinet Open Rear
- Adjustable Legs with Stainless Steel Caps
- Red Oak Legs and Exterior -Long Grain with Standard Stain Finish
- 8'-0" 120 Volt Cord and Plug with outlet
- All Integration Series counter bases are fabricated in 18-gauge, type 304 stainless steel. Each counter top is fabricated in 14-gauge, type 304 stainless steel with a 2" drop edge and welded corners. Heavy duty 14-gauge cross bracing is provided as standard for additional stability and deflection resistance. Each unit is internally wired to accommodate either 120volt or 208volt operation to a factory-mounted junction box. All Integration Series counters are NSF listed for sanitation. All millwork exteriors are fabricated in accordance with AWI standards.

OPTIONAL FEATURES

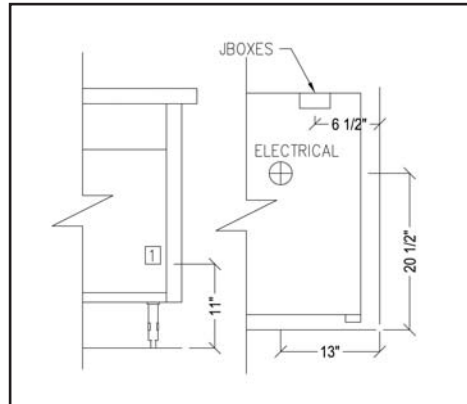
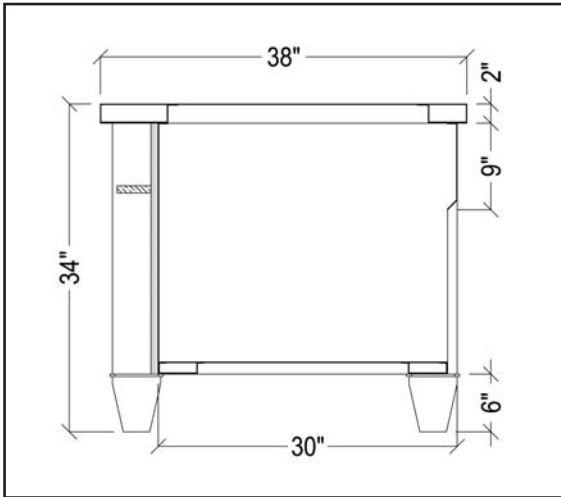
- Stainless Toe Base in Lieu of Wood Base
 - Convenience Outlet Panel Mounted with a Cord and Plug
Specify Voltage, Wattage and Location
 - Casters
 - Louvers to Match Base
 - Exterior Custom Stained
 - Non-Standard Wood Species
 - Cherry Maple Mahogany Walnut
 - Corian Top: Stock Colors
 - Corian Top: Non-Stock Colors
 - Zodiac Top: Stock Colors
 - Zodiac Top: Non-Stock Colors
 - Standard Grade Laminate Top
 - Top Extension up to 12"
 - Top Extension 12" with Stainless Steel Runners
 - Trayslide12"
 - Stainless Steel Tubular Solid
 - Corian Stock Zodiac Stock Laminate
 - Corian Non-Stock Zodiac Non-StockAll Tray Slides Standard with (3) Stainless Steel Runners
 - 3 Stainless Steel Runners on Front of Counter Top
 - Rear Doors
 - Stainless Steel Veneer
 - Door Locks
 - Island Style: Unit Will Change in Depth To 44"
 - Sneeze Guard: Model #
 - US-2 Upper Structure
- Note: Upper Structure Not Available for 30" Unit
- Stainless Steel Drawer 18" x 18" x 4"



STYLE IA-5-ST

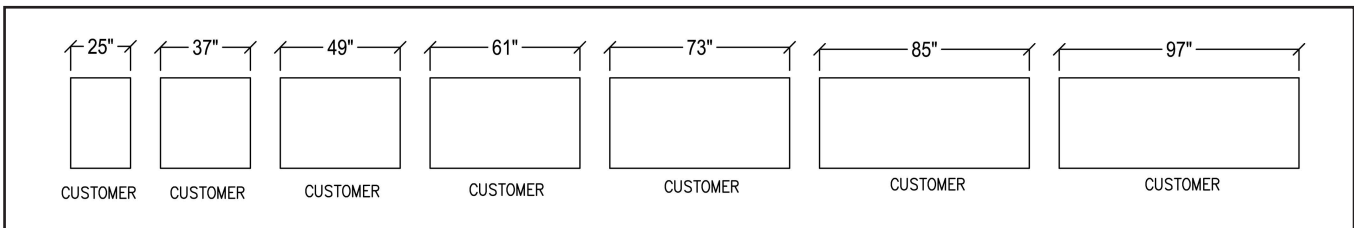
TOLL FREE: 800-525-3692

INTEGRATIONS



Electrical & Plumbing locations

1. Junction box for main power supply.
2. Junction box for drop in equipment
3. Junction box for sneeze upper unit.



MODEL	L	W	H	ELECTRICAL	NEMA PLUG	AMPS	WT
IA-5-ST-25	25"	38"	34"	120V/60/1 Phase	5-15P	12	272
IA-5-ST-37	37"	38"	34"	120V/60/1 Phase	5-15P	12	282
IA-5-ST-49	49"	38"	34"	120V/60/1 Phase	5-15P	12	380
IA-5-ST-61	61"	38"	34"	120V/60/1 Phase	5-15P	12	468
IA-5-ST-73	73"	38"	34"	120V/60/1 Phase	5-15P	12	557
IA-5-ST-85	85"	38"	34"	120V/60/1 Phase	5-15P	12	671
IA-5-ST-97	97"	38"	34"	120V/60/1 Phase	5-15P	12	760

RPI Industries, in line with its policy to improve its products, reserves the right to change materials or specifications without notice. Any adverse conditions will affect warranty.

CALL TOLL FREE: 800-525-3692 (609-714-2330)

FAX: 609-714-2331 www.regalpinncle.com

220 ROUTE 70, MEDFORD, NJ 08055

