

MODEL # B4X-E - HFS

SPECIFICATIONS

The Excel Series B4X-E high-volume multi-deck is the newest case in Hussmann's bulk line-up. With four decks and an 82" height, the B4X-E can hold four layers of product for easy shopping in higher volume departments. It is 4" deeper (front to back) than our standard Excel multi-deck fixtures for maximum pack-out of bulk medium temp items. Interior merchandising space is 34 1/8" deep (front to back at lower deck) by 53 3/8" tall.



Available lengths: 99 3/8" 123 1/2" 147 1/2"

Available depths: 46"

Available heights: 81 3/4"



UNIT SHOWN WITH OPTIONAL SHELVES
AND SOLID END PANELS

STANDARD FEATURES

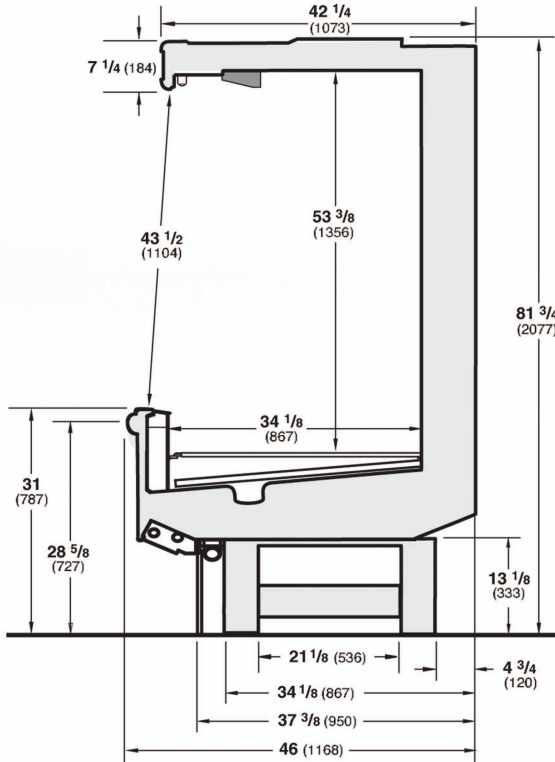
- DOE 2017 Compliant
- Remote Refrigeration
- All Metal Construction
- Hussmann Standard Paint & Bumper Colors
(Consult Factory for Available Colors)
- (1) Row Top Canopy Lighting
- 34 1/8" Base Deck Display
- Front Cart Bumper
- Energy Efficient Coil
- Hardwire Direct
- Listed in Accordance with UL 471
and NSF 7 Standards
- 5 Year Modular Coil Warranty
- Floor Drain Required

OPTIONAL FEATURES

- Stainless Steel Exterior Finish
- Hussmann Optional Colors
(Consult Factory for Available Colors)
- Up to (3) Rows of Optional Shelves
(Consult Factory for More Information)
- Up to (3) Additional Rows of Top Canopy Lighting
(Consult Factory)
- Lighting Under Shelves
(Consult Factory for All Available Options)
- Solid End Panels
 - Right Left Both Ends
- View End Panels
 - Right Left Both Ends
- Contour End Panels
 - Right Left Both Ends
- Solid End Panels with Mirrored Interior
(Consult Factory for Additional Information)

MODEL # B4X-E - HFS

REMOTE - REFRIGERATED

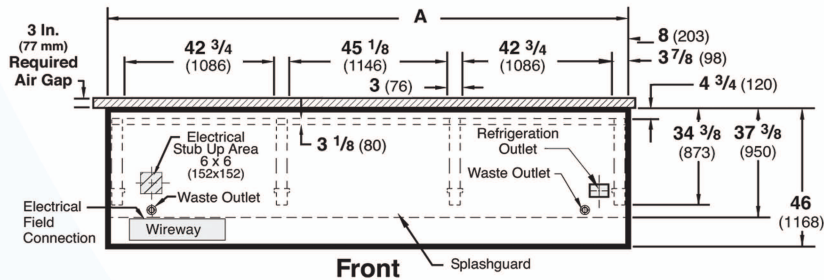


MODEL	L*	D	H	BTU / HR**	VOLTS	AMPS	EVAP. TEMP °F	PLUG	WT	REFRIG.
B4X-8E-HFS	99 3/8	46	81 3/4	9744	120	20	24	Hardwire	1000	Verify
B4X-10E-HFS	123 1/2	46	81 3/4	12180	120	20	24	Hardwire	1100	Verify
B4X-12E-HFS	147 1/2	46	81 3/4	14616	120	20	24	Hardwire	1200	Verify

* LENGTHS INCLUDE END PANELS

** BTU / HR FOR DAIRY, DELI, PRODUCE

Note: Please use Hussmann's technical data sheets to get precise dimensions for all store layout purposes.



Electrical & Plumbing locations

Dimension	8 FT	12 FT
A	96 3/8 (2448)	144 1/2 (3670)

Notes:

Case-to-case electrical connections are made in front of splashguard.

Overall case length without ends or partitions.



Conforms to UL Standard 471, and NSF Standard 7; Certified To CSA Standard C22.2 No.120



Hussmann refrigerated merchandisers configured for sale for use in the United States meet or surpass the requirements of the DOE 2017 energy efficiency standards

1. For optimum performance, these models are designed for use in air-conditioned stores where temperature and humidity are maintained at 75°F and 55% R.H. Locate case away from direct sunlight, rapid air currents and extreme temperature changes. Case is designed for holding pre-chilled product only.

RPI in line with its current policy reserves the right to change or revise specifications and product design in connection with any feature of our products. Such changes do not entitle the buyer to corresponding changes improvements, additions, or replacements for equipment previously sold or shipped.

CALL TOLL FREE: 800-525-3692 (609-714-2330)

FAX: 609-714-2331 www.rpiindustries.com

220 ROUTE 70, MEDFORD, NJ 08055