

## MODEL # CR3-D - HFS

### SPECIFICATIONS

The Specialty Series CR3-D is a 3 zone merchandiser that sets the pace for its segment. It allows for self-service, full service, and extra storage all in a small footprint. Having a full range of configurations atop a high-capacity self-service case, the R3 Family redefines what a merchandiser should be!



Available lengths:  50"  62"  74"  98"  122"  146"

Available depths:  50 1/16"

Available heights:  53"



### STANDARD FEATURES

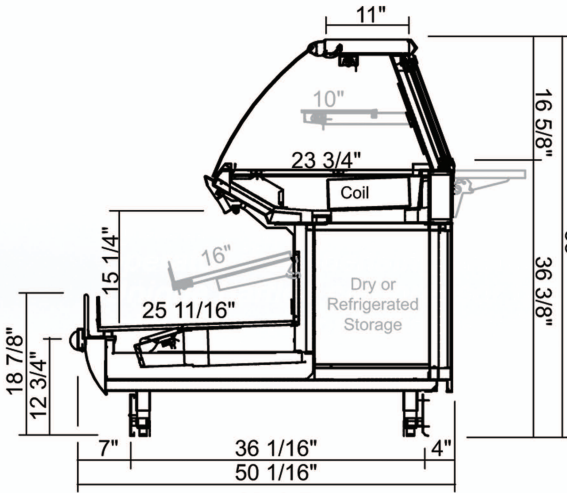
- DOE 2017 Compliant
- Remote Refrigeration
- Curved Glass Profile
- Non-Glare Lift-Up Glass (Standard R3, Optional for CR3)
- Heated Air Sweep (Service)
- Adjustable Legs
- Quick Snap-In T5 Lighting
- Black Interior (Self-Service)
- Stainless Steel Interior (Service)
- Snap-on, Stainless Steel Lower Rear Panel
- Thermostat/Suction Stop Solenoid (Service)
- EPR – Refrigerated Self-Service
- Digital Thermometers in Each Refrigerated Section
- 15 Amp Scale Outlet
- RJ45 Communication Outlet
- Dry Rear Storage
- Please Reference Color Chart for Choice of Standard Hussmann Paint and Finish Options
- ETL Listed / ETL Sanitation Listed
- Environmentally Safe Refrigerant

### OPTIONAL FEATURES

- Easily Movable 14" or 16" Shelves with Adjustable Angle from 0° to 15° with Recessed Plugs (Self-Service)
- Shelf Lights
- Refrigerated Rear Storage with Additional Coil
- Thermostat and Liquid Line Solenoid
- Stainless Steel Interior (Self-Service)
- Thermoplastic Wrapping Boards
- Scale Shelf Extension
- Increased Self-Service Capacity ("Plus Heights") 2" or 4" (Allows 2nd Row of 12" or 14" Shelf)
- Solid End Panels
- View End Panels
- Paper Cutter
- PTM
- Additional Outlet
- Mirrored Rear Door
- Stainless Steel Top in Lieu of Glass
- Custom Lengths and Options\*  
(Consult Your Hussmann Sales Representative)

## MODEL # CR3-D - HFS

### REMOTE - REFRIGERATED



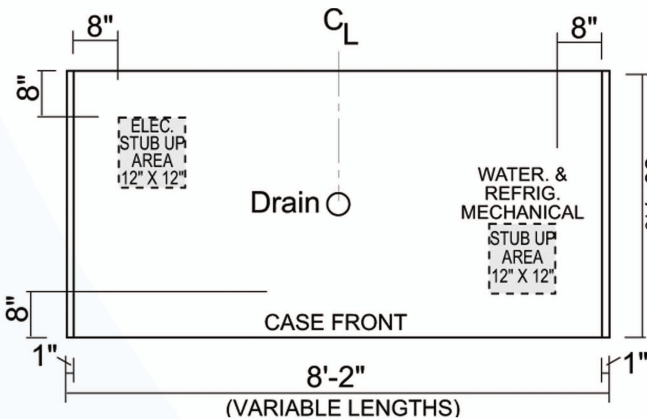
**CR3-D**  
Deli with Curved Glass,  
Optional Shelves and Wrapping Board

MODEL	L*	D	H	BTU / HR**	VOLTS	AMPS	EVAP. TEMP °F	PLUG	WT	REFRIG.
CR3-D4'-HFS	50	50 1/16	53	5408	120	3.4	20	Hardwire	642	Verify
CR3-D5'-HFS	62	50 1/16	53	6760	120	4.9	20	Hardwire	802	Verify
CR3-D6'-HFS	74	50 1/16	53	8112	120	4.2	20	Hardwire	963	Verify
CR3-D8'-HFS	98	50 1/16	53	10816	120	6.5	20	Hardwire	1284	Verify
CR3-D10'-HFS	122	50 1/16	53	13510	120	6.3	20	Hardwire	1605	Verify
CR3-D12'-HFS	146	50 1/16	53	16224	120	9.7	20	Hardwire	1926	Verify

\* LENGTHS INCLUDE END PANELS

\*\* BTU / HR FOR DAIRY, DELI, PRODUCE & REFRIGERATED STORAGE

**Note: Please use Hussmann's technical data sheets to get precise dimensions for all store layout purposes.**



### Electrical & Plumbing locations



Conforms to UL Standard 471,  
and NSF Standard 7; Certified  
To CSA Standard C22.2 No.120



**Hussmann refrigerated merchandisers configured for sale for use in the United States meet or surpass the requirements of the DOE 2017 energy efficiency standards**

1. For optimum performance, these models are designed for use in air-conditioned stores where temperature and humidity are maintained at 75°F and 55% R.H. Locate case away from direct sunlight, rapid air currents and extreme temperature changes. Case is designed for holding pre-chilled product only.

RPI in line with its current policy reserves the right to change or revise specifications and product design in connection with any feature of our products. Such changes do not entitle the buyer to corresponding changes improvements, additions, or replacements for equipment previously sold or shipped.

CALL TOLL FREE: 800-525-3692 (609-714-2330)

FAX: 609-714-2331 [www.rpiindustries.com](http://www.rpiindustries.com)

220 ROUTE 70, MEDFORD, NJ 08055