

## MODEL # CR3FO - HFS

### SPECIFICATIONS

The Specialty Series CR3FO is a self-service merchandiser that can hold a large volume of product with a 26" lower deck and optional 12" and 18" shelves. The CR3FO also features several "top" options including a dry upper dome, setup for a Hoshizaki Sushi display, warming plate, flat top, or prep top!



Available lengths:  35 3/8"  47 3/4"

Available depths:  33 1/2"  32 3/4" (Self-Contained)

Available heights:  42"  53" (Self-Contained)



### STANDARD FEATURES

- DOE 2017 Compliant
- Self-Contained Refrigeration
- Remote Refrigeration
- 2 Rows of T5 Upper Lights
- Solar Digital Thermometer
- Electronic Ballast
- Modular Coil System - 5 Year Warranty
- Tempered Lower Front Glass
- Adjustable Legs
- 1 1/2" Drain Line with P-Trap
- Black Interior (Self-Service)
- Please Reference Color Chart for Choice of Standard Hussmann Paint and Finish Options
- ETL Listed / ETL Sanitation Listed
- Environmentally Safe Refrigerant

### OPTIONAL FEATURES

- Easy Movable 12" and 18" Shelves with Adjustable Angle from 0° to 15° with Recessed Plugs (Self-Service)
- Dry Glass Dome with Sliding Doors
- Hoshizaki Sushi Top Display
- Heated Thermal Shelf
- Tempered Glass Sneeze Guard
- Thermoplastic Top
- Night Curtain
- Casters (Base Storage Configuration Only)
- Thermoplastic Wrapping Boards
- Solid End Panels
- View End Panels
- Rear Mount or Under Case Compressor Location (Self-Contained)
- Special Interior and Exterior Finishes
- Custom Lengths and Options  
(Consult your Hussmann Sales Representative)

## MODEL # CR3FO - HFS

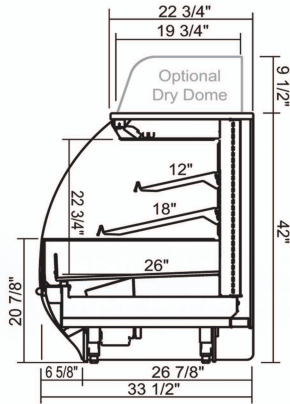
### SELF - CONTAINED

MODEL	L*	D	H	HP	VOLTS	AMPS	PLUG	WT	REFRIG.
CR3FO-3-HFS	35 3/8	32 3/4	53	1/4	115	20	5-15P	700	404A
CR3FO-4-HFS	47 3/4	32 3/4	53	1/4	115	20	5-15P	900	404A

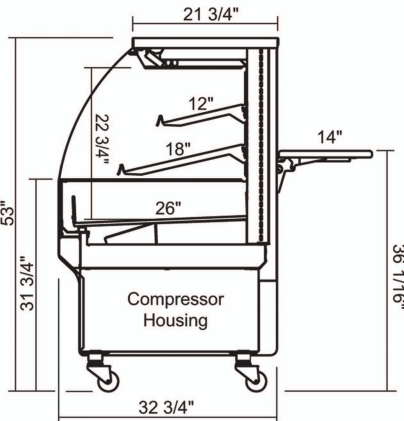
### REMOTE - REFRIGERATED

MODEL	L*	D	H	BTU/HR	VOLTS	AMPS	EVAP. TEMP °F	PLUG	WT	REFRIG.
CR3FO-3-HFS	35 3/8	33 1/2	42	2588	115	15	18	Hardwire	600	Verify
CR3FO-4-HFS	47 3/4	33 1/2	42	3452	115	15	18	Hardwire	800	Verify

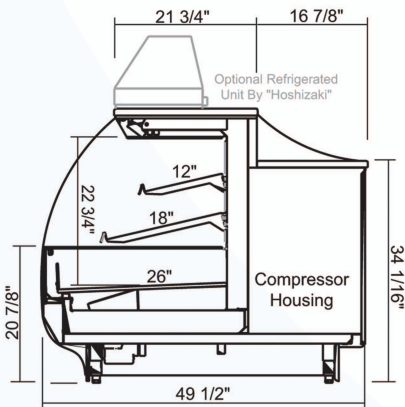
\* LENGTHS INCLUDE END PANELS



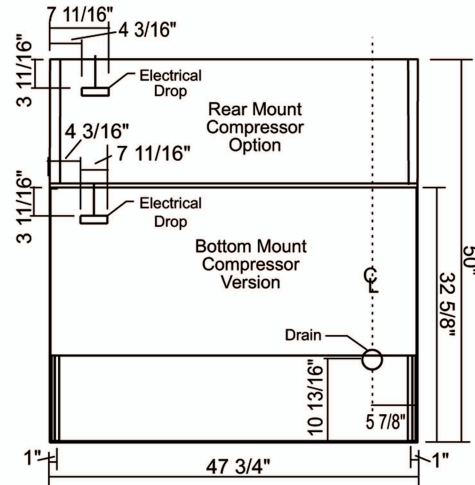
**CR3FO**  
Self Service - Service  
Deli Merchandiser - Remote



**CR3FO**  
Self Contained  
Bottom Mount Compressor



**CR3FO**  
Self Contained  
Rear Mount Compressor



**CR3FO**  
Plan Views - Rear Mount Compressor Option  
or Bottom Mount Compressor (Standard)

### Electrical & Plumbing locations



Conforms to UL Standard 471,  
and NSF Standard 7; Certified  
To CSA Standard C22.2 No.120



Hussmann refrigerated merchandisers configured for sale for use in the United States meet or surpass the requirements of the DOE 2017 energy efficiency standards

1. For optimum performance, these models are designed for use in air-conditioned stores where temperature and humidity are maintained at 75°F and 55% R.H. Locate case away from direct sunlight, rapid air currents and extreme temperature changes. Case is designed for holding pre-chilled product only.

RPI in line with its current policy reserves the right to change or revise specifications and product design in connection with any feature of our products. Such changes do not entitle the buyer to corresponding changes improvements, additions, or replacements for equipment previously sold or shipped.

CALL TOLL FREE: 800-525-3692 (609-714-2330)

FAX: 609-714-2331 [www.rpiindustries.com](http://www.rpiindustries.com)

220 ROUTE 70, MEDFORD, NJ 08055