

MODEL # CR3P - HFS

SPECIFICATIONS

The Specialty Series CR3P is set-up to have several prep top options including a refrigerated condiment rail for food prep, warming plates for hot product sales, or a flat top for prep or display with multiple sneeze guard options.



Available lengths: 50" 62" 74" 98" 122" 146"

Available depths: 50 1/8"

Available heights: 54"



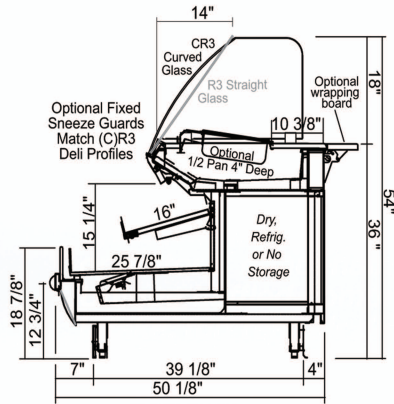
STANDARD FEATURES

- DOE 2017 Compliant
- Remote Refrigeration
- Thermoplastic Work Surface
- Adjustable Legs
- Snap-on, Stainless Steel Lower Rear Panel
- Black Interior (Self-Service)
- Stainless Steel Interior (Service)
- EPR (Refrigerated Self-Service)
- Please Reference Color Chart for Choice of Standard Hussmann Paint and Finish Options
- ETL Listed / ETL Sanitation Listed
- Environmentally Safe Refrigerant

OPTIONAL FEATURES

- Easily Movable 16" Shelves with Adjustable Angle from 0° to 15° (Self-Service)
- LED Canopy and Shelf Lighting
- Dry Rear Storage
- Quick Snap-In T5 lighting
- Digital Thermometers in Each Refrigerated Section
- Shelf Lights with Recessed Plugs
- Refrigerated Condiment Rail with Integrated Coil Package
- Sneeze Guard Types - Curved or Straight
- Special Top Surfaces
- Increased Self-Service Capacity (2" or 4" Plus Heights") (4" Allows 2nd Row of 8", 10", 12", 14" or 16" Shelf)
- Refrigerated Rear Storage with Packaged Coil (for Wrapped Food)
- Stainless Steel Interior (Self-Service)
- Thermoplastic Wrapping Boards
- Solid End Panels
- Special Interior and Exterior Finishes
- Custom Lengths and Options* (Consult your Hussmann Sales Representative)
- Special Interior and Exterior Finishes* (Consult your Hussmann Sales Representative)

MODEL # CR3P - HFS



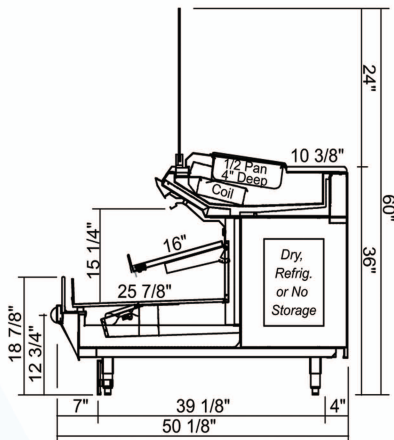
CR3P (R3P)

Curved or Straight Glass - Prep Top with Refrigerated Self Service Front

REMOTE - REFRIGERATED

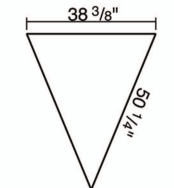
MODEL	L*	D	H	BTU / HR	VOLTS	AMPS	EVAP. TEMP °F	PLUG	WT	REFRIG.
CR3P-4'-HFS	50	50 1/8	54	3450	120	1.91	20 TOP / FRONT	Hardwire	642	Verify
CR3P-5'-HFS	62	50 1/8	54	4313	120	2.26	20 TOP / FRONT	Hardwire	802	Verify
CR3P-6'-HFS	74	50 1/8	54	5175	120	2.87	20 TOP / FRONT	Hardwire	963	Verify
CR3P-8'-HFS	98	50 1/8	54	6900	120	3.82	20 TOP / FRONT	Hardwire	1284	Verify
CR3P-10'-HFS	122	50 1/8	54	8625	120	4.56	20 TOP / FRONT	Hardwire	1605	Verify
CR3P-12'-HFS	146	50 1/8	54	10350	120	5.74	20 TOP / FRONT	Hardwire	1926	Verify

* LENGTHS INCLUDE END PANELS



R3P

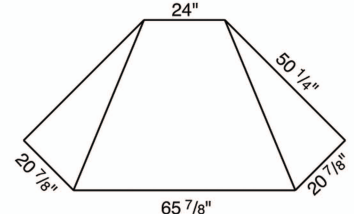
Vertical Straight Glass - Prep Top with Refrigerated Self Service Front



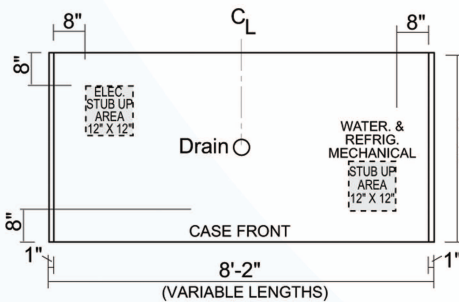
**R3P 45°
INSIDE WEDGE**



**R3P 45°
OUTSIDE WEDGE**



**R3P 90°
OUTSIDE WEDGE**



Electrical & Plumbing locations



Conforms to UL Standard 471, and NSF Standard 7; Certified To CSA Standard C22.2 No.120



Hussmann refrigerated merchandisers configured for sale for use in the United States meet or surpass the requirements of the DOE 2017 energy efficiency standards

1. For optimum performance, these models are designed for use in air-conditioned stores where temperature and humidity are maintained at 75°F and 55% R.H. Locate case away from direct sunlight, rapid air currents and extreme temperature changes. Case is designed for holding pre-chilled product only.

RPI in line with its current policy reserves the right to change or revise specifications and product design in connection with any feature of our products. Such changes do not entitle the buyer to corresponding changes improvements, additions, or replacements for equipment previously sold or shipped.

CALL TOLL FREE: 800-525-3692 (609-714-2330)

FAX: 609-714-2331 www.rpiindustries.com

220 ROUTE 70, MEDFORD, NJ 08055