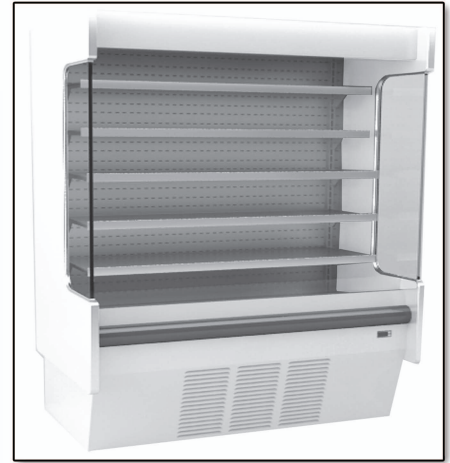


## MODEL # DDSS-4MC-HFS

### SPECIFICATIONS

The Self-Select Series DDSS-4MC is a high-capacity, multi-deck display merchandiser, featuring a 29" footprint for ideal display of sandwiches, salads, and beverages. Optional features include night curtain, reversing condenser fan motor, locking security cover, view ends, and mirrored interior.



Available lengths:  51"

Available depths:  30 1/2"

Available heights:  74"



UNIT SHOWN WITH OPTIONAL  
GLASS VIEW ENDS

### STANDARD FEATURES

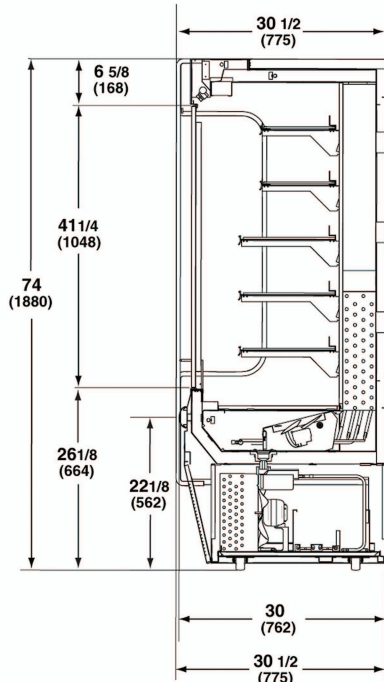
- DOE 2017 Compliant
- Self-Contained Refrigeration
- Remote Refrigeration
- Glass Shelves (3) 13" and (2) 9 3/4" with Silver PTM
- R404A Condensing Unit (208/230V 20A Cord Connected)
- Slide-Out Condensing Unit
- Newly Designed Access Panel
- White Interior and Exterior
- Black Front Bumper
- Solid End Panels
- Electronic Controls with Digital Display
- 1 Row Upper Canopy Light (T-8)
- Lighted Sign
- Low Profile Casters
- Condensate Evaporator Pan (Self-Contained Only)
- Type II (80°F/60% RH) Certified
- UL Listed & UL ANSI / NSF 7 Certified
- Environmentally Safe Refrigerant

### OPTIONAL FEATURES

- Night Curtain
- Reversing Condenser Fan Motor
- Locking Security Cover
- Leg Kit
- View Ends
- Mirror Interior
- Stainless Steel Exterior
- 6" Casters
- Solid Shelves (13" and 9 3/4")
- Black or White PTM
- Reversible Product Stop

Condensate pan not available for remote version – floor drain required

## MODEL # DDSS-4MC-HFS



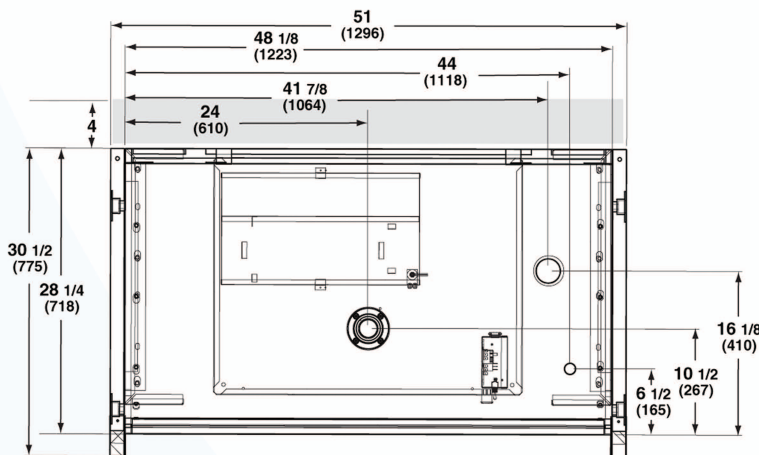
### SELF - CONTAINED

MODEL	L	D	H	HP	VOLTS	AMPS	PLUG	WT	REFRIG.
DDSS-4MC-HFS	51	30 1/2	74	3/4	208-230	20	6-20P	900	404A

### REMOTE - REFRIGERATED

MODEL	L	D	H	BTU/HR	VOLTS	AMPS	EVAP. TEMP °F	PLUG	WT	REFRIG.
DDSS-4MCR-HFS	51	30 1/2	74	6402	208-230	15	15	Hardwire	850	Verify

Clearance required  
for S/C cases



**Electrical & Plumbing locations**



Conforms to UL Standard 471,  
and NSF Standard 7; Certified  
To CSA Standard C22.2 No. 120



Hussmann refrigerated merchandisers configured for sale for use in the United States meet or surpass the requirements of the DOE 2017 energy efficiency standards

- For optimum performance, these merchandisers are designed for use in stores where ambient temperatures and humidity do not exceed 80 Degrees Fahrenheit and 60% R.H. Locate away from direct sunlight, rapid air currents and extreme temperature changes. Exposure to air currents from ceiling fans, air conditioning diffusers, ovens, etc. will disrupt the case air curtain and refrigerated zone. Refrigerated Displays are designed to maintain pre-chilled products. Adding or loading warm products above 41 Degrees Fahrenheit can affect the temperature in the entire cabinet.

RPI in line with its current policy reserves the right to change or revise specifications and product design in connection with any feature of our products. Such changes do not entitle the buyer to corresponding changes improvements, additions, or replacements for equipment previously sold or shipped.

CALL TOLL FREE: 800-525-3692 (609-714-2330)

FAX: 609-714-2331 [www.rpiindustries.com](http://www.rpiindustries.com)

220 ROUTE 70, MEDFORD, NJ 08055