

MODEL # E2S MULTI-DECK DISPLAY - HFS

SPECIFICATIONS

The Elite Series E2S creates highly flexible merchandising opportunities tailored to your creative needs. This multi-level, self-serve design can present Grab-N-Go meals, deli products, pizza, cheeses and much more. Easily adjustable shelves, height and length options, lighting options, shelving options and wedge options all work to serve up your choice of superior merchandising features and capabilities!



Available lengths: 50 1/8" 74 1/8" 98 1/8" 146 1/8"

Available depths: 46 1/2"

Available heights: 41 3/4"



UNIT SHOWN WITH OPTIONAL SHELVES
AND SOLID END PANELS

STANDARD FEATURES

- DOE 2017 Compliant
- Remote Refrigeration
- All Metal Construction
- Hussmann Standard Paint & Bumper Colors
(Consult Factory for Available Colors)
- (2) Rows Top Canopy Lighting
- 17 1/8" Non-Refrigerated Top Display
- 31" Base Deck Display
- 10" Slanted Plexi Front
- Low Profile Base
- Hardwire Direct
- Listed in Accordance with UL 471
and NSF 7 Standards
- 5 Year Modular Coil Warranty
- Floor Drain Required

OPTIONAL FEATURES

- Stainless Steel Exterior Finish
- Hussmann Optional Colors
(Consult Factory for Available Colors)
- Up to (2) Rows of Optional Shelves
 - 12" Angled Shelf
 - 18" Angled Shelf
- Lighting Under Shelves
(Consult Factory for All Available Options)
- Solid End Panels
 - Right Left Both Ends
- View End Panels
 - Right Left Both Ends
- Solid End Panels with Mirrored Interior
(Consult Factory for Additional Information)

MODEL # E2S MULTI-DECK DISPLAY - HFS

REMOTE - REFRIGERATED (DELI)

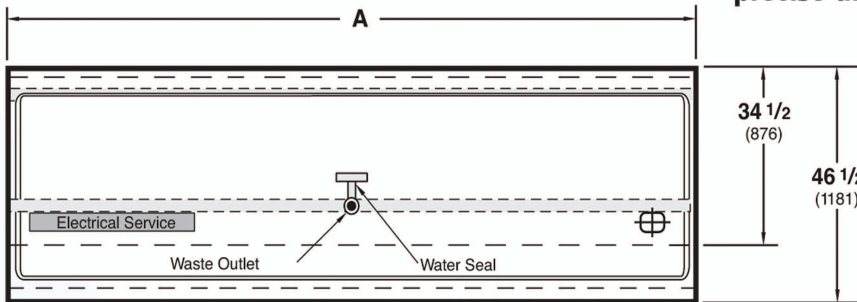
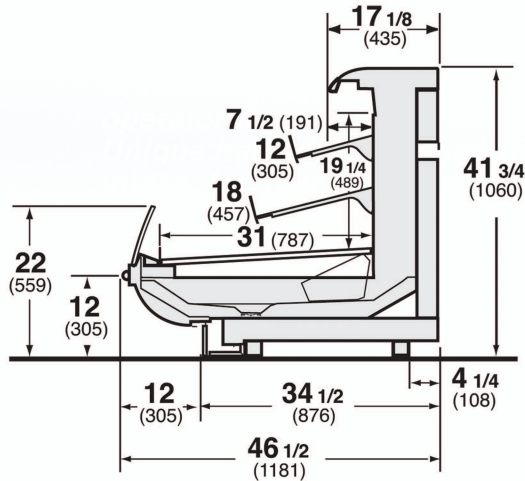
MODEL	L*	D	H	BTU / HR	VOLTS	AMPS	EVAP. TEMP °F	PLUG	WT	REFRIG.
E2S-4'-HFS	50 1/8	46 1/2	41 3/4	3596	120	20	21	Hardwire	600	Verify
E2S-6'-HFS	74 1/8	46 1/2	41 3/4	5394	120	20	21	Hardwire	850	Verify
E2S-8'-HFS	98 1/8	46 1/2	41 3/4	7192	120	20	21	Hardwire	1000	Verify
E2S-12'-HFS	146 1/8	46 1/2	41 3/4	10,788	120	20	21	Hardwire	1200	Verify

REMOTE - REFRIGERATED (MEAT)

MODEL	L*	D	H	BTU / HR	VOLTS	AMPS	EVAP. TEMP °F	PLUG	WT	REFRIG.
E2S-4'-HFS	50 1/8	46 1/2	41 3/4	3396	120	20	18	Hardwire	600	Verify
E2S-6'-HFS	74 1/8	46 1/2	41 3/4	5094	120	20	18	Hardwire	850	Verify
E2S-8'-HFS	98 1/8	46 1/2	41 3/4	6792	120	20	18	Hardwire	1000	Verify
E2S-12'-HFS	146 1/8	46 1/2	41 3/4	10,188	120	20	18	Hardwire	1200	Verify

* LENGTHS INCLUDE END PANELS

Note: Please use Hussmann's technical data sheets to get precise dimensions for all store layout purposes.



FRONT

Electrical & Plumbing locations

Dimension	8 FT	12 FT
A	96 1/4 (2445)	144 3/8 (3667)

Notes:

Overall case length without ends or partitions.



Conforms to UL Standard 471, and NSF Standard 7; Certified To CSA Standard C22.2 No.120



Hussmann refrigerated merchandisers configured for sale for use in the United States meet or surpass the requirements of the DOE 2017 energy efficiency standards

1. For optimum performance, these models are designed for use in air-conditioned stores where temperature and humidity are maintained at 75°F and 55% R.H. Locate case away from direct sunlight, rapid air currents and extreme temperature changes. Case is designed for holding pre-chilled product only.

RPI in line with its current policy reserves the right to change or revise specifications and product design in connection with any feature of our products. Such changes do not entitle the buyer to corresponding changes improvements, additions, or replacements for equipment previously sold or shipped.

CALL TOLL FREE: 800-525-3692 (609-714-2330)

FAX: 609-714-2331 www.rpiindustries.com

220 ROUTE 70, MEDFORD, NJ 08055