

## MODEL # E3 MULTI-DECK DISPLAY - HFS

### SPECIFICATIONS

The Elite Series E3 self-serve multi-deck can give you the perfect styling, performance and display capacity for your lower height, self-serve, specialty merchandising needs. For deli products, pizza, floral, fresh juice and more, the E3 provides just the right platform to help you increase specialty sales.



Available lengths:  50 1/8"  74 1/8"  98 1/8"  146 1/8"

Available depths:  46 1/2"

Available heights:  56"



UNIT SHOWN WITH OPTIONAL SHELVES  
AND SOLID END PANELS

### STANDARD FEATURES

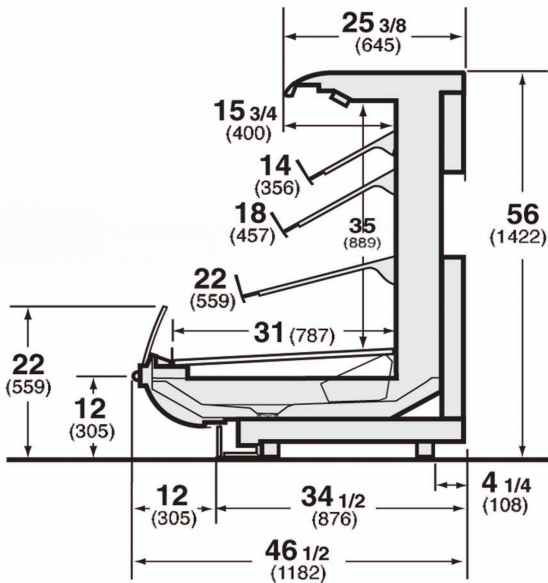
- DOE 2017 Compliant
- Remote Refrigeration
- All Metal Construction
- Hussmann Standard Paint & Bumper Colors  
(Consult Factory for Available Colors)
- (2) Rows Top Canopy Lighting
- 25 3/8" Non-Refrigerated Top Display
- 31" Base Deck Display
- 10" Slanted Plexi Front
- Low Profile Base
- Hardwire Direct
- Listed in Accordance with UL 471  
and NSF 7 Standards
- 5 Year Modular Coil Warranty
- Floor Drain Required

### OPTIONAL FEATURES

- Stainless Steel Exterior Finish
- Hussmann Optional Colors  
(Consult Factory for Available Colors)
- Up to (3) Rows of Optional Shelves
  - 14" Angled Shelf
  - 18" Angled Shelf
  - 22" Angled Shelf
- Lighting Under Shelves  
(Consult Factory for All Available Options)
- Solid End Panels
  - Right  Left  Both Ends
- View End Panels
  - Right  Left  Both Ends
- Solid End Panels with Mirrored Interior  
(Consult Factory for Additional Information)
- Refrigerated Rear Storage

## MODEL # E3 MULTI-DECK DISPLAY - HFS

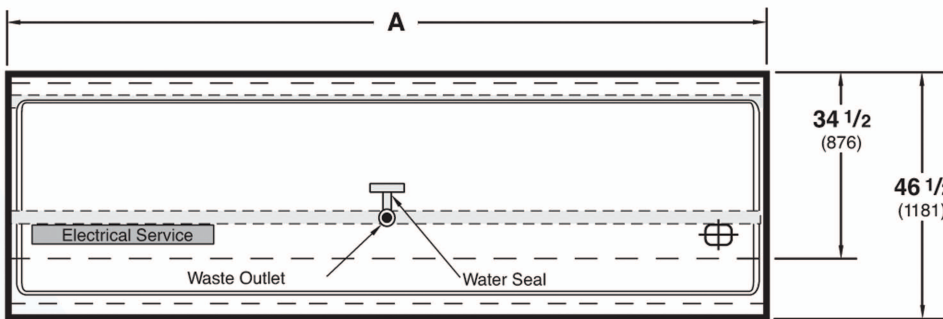
### REMOTE - REFRIGERATED



MODEL	L*	D	H	BTU / HR	VOLTS	AMPS	EVAP. TEMP °F	PLUG	WT	REFRIG.
E3-4'-HFS	50 1/8	46 1/2	56	5036	120	20	21	Hardwire	400	Verify
E3-6'-HFS	74 1/8	46 1/2	56	7554	120	20	21	Hardwire	600	Verify
E3-8'-HFS	98 1/8	46 1/2	56	10,072	120	20	21	Hardwire	800	Verify
E3-12'-HFS	146 1/8	46 1/2	56	15,108	120	20	21	Hardwire	1000	Verify

\* LENGTHS INCLUDE END PANELS

**Note: Please use Hussmann's technical data sheets to get precise dimensions for all store layout purposes.**



FRONT

### Electrical & Plumbing locations

Dimension	8 FT	12 FT
A	96 1/4 (2445)	144 3/8 (3667)

**Notes:**

Overall case length without ends or partitions.



Conforms to UL Standard 471, and NSF Standard 7; Certified To CSA Standard C22.2 No.120



**Hussmann refrigerated merchandisers configured for sale for use in the United States meet or surpass the requirements of the DOE 2017 energy efficiency standards**

1. For optimum performance, these models are designed for use in air-conditioned stores where temperature and humidity are maintained at 75°F and 55% R.H. Locate case away from direct sunlight, rapid air currents and extreme temperature changes. Case is designed for holding pre-chilled product only.

RPI in line with its current policy reserves the right to change or revise specifications and product design in connection with any feature of our products. Such changes do not entitle the buyer to corresponding changes improvements, additions, or replacements for equipment previously sold or shipped.

CALL TOLL FREE: 800-525-3692 (609-714-2330)

FAX: 609-714-2331 [www.rpiindustries.com](http://www.rpiindustries.com)

220 ROUTE 70, MEDFORD, NJ 08055