

MODEL # E3S SELF-SERVICE DISPLAY CASE - HFS

SPECIFICATIONS

The Elite Series E3S self-serve multi-deck case gives you the perfect styling, performance and display capacity for your specialty merchandising needs. The extended canopy can accommodate a peg display, allowing the flexibility of complementary hanging products. Up to three shelves can be flat or tilted to provide even more merchandising flexibility.



Available lengths: 74 1/8" 98 1/8" 146 1/8"

Available depths: 46 1/2"

Available heights: 54"



UNIT SHOWN WITH OPTIONAL SHELVES
AND VIEW END PANELS

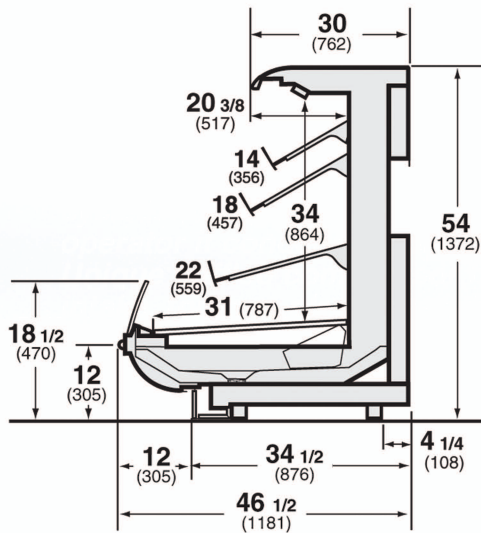
STANDARD FEATURES

- DOE 2017 Compliant
- Remote Refrigeration
- All Metal Construction
- Hussmann Standard Paint & Bumper Colors
(Consult Factory for Available Colors)
- (2) Rows Top Canopy Lighting
- 30" Non-Refrigerated Top Display
- 31" Base Deck Display
- 6 1/2" Slanted Plexi Front
- Low Profile Base
- Hardwire Direct
- Listed in Accordance with UL 471
and NSF 7 Standards
- 5 Year Modular Coil Warranty
- Floor Drain Required

OPTIONAL FEATURES

- Stainless Steel Exterior Finish
- Hussmann Optional Colors
(Consult Factory for Available Colors)
- Up to (3) Rows of Optional Shelves
 - 14" Angled Shelf
 - 18" Angled Shelf
 - 22" Angled Shelf
- Lighting Under Shelves
(Consult Factory for All Available Options)
- Solid End Panels
 - Right Left Both Ends
- View End Panels
 - Right Left Both Ends
- Solid End Panels with Mirrored Interior
(Consult Factory for Additional Information)

MODEL # E3S SELF-SERVICE DISPLAY CASE - HFS

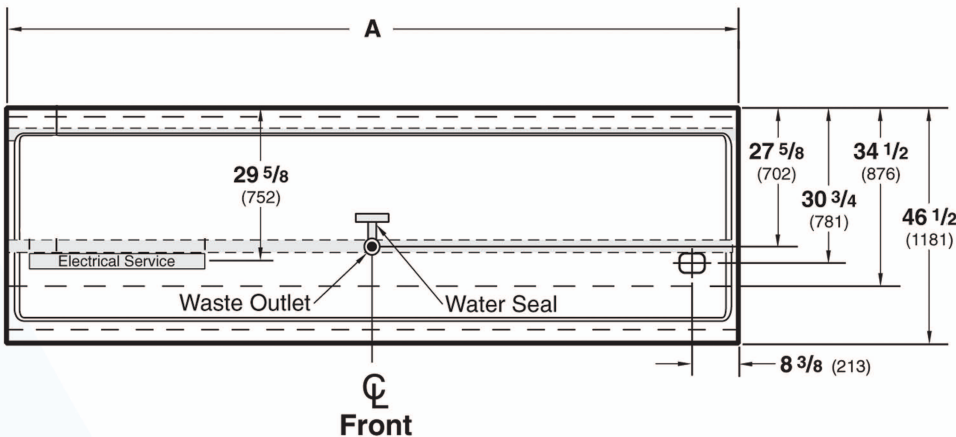


REMOTE - REFRIGERATED

MODEL	L*	D	H	BTU / HR	VOLTS	AMPS	EVAP. TEMP °F	PLUG	WT	REFRIG.
E3S-6'-HFS	74 1/8	46 1/2	54	7554	120	20	21	Hardwire	600	Verify
E3S-8'-HFS	98 1/8	46 1/2	54	10,072	120	20	21	Hardwire	800	Verify
E3S-12'-HFS	146 1/8	46 1/2	54	15,108	120	20	21	Hardwire	1000	Verify

* LENGTHS INCLUDE END PANELS

Note: Please use Hussmann's technical data sheets to get precise dimensions for all store layout purposes.



Dimension	A
6 foot	72 1/8 (1832)
8 foot	96 1/4 (2445)
12 foot	144 3/8 (3667)

Note: Overall case length without ends or partitions.



Conforms to UL Standard 471,
and NSF Standard 7; Certified
To CSA Standard C22.2 No.120



Hussmann refrigerated merchandisers configured for sale for use in the United States meet or surpass the requirements of the DOE 2017 energy efficiency standards

1. For optimum performance, these models are designed for use in air-conditioned stores where temperature and humidity are maintained at 75°F and 55% R.H. Locate case away from direct sunlight, rapid air currents and extreme temperature changes. Case is designed for holding pre-chilled product only.

RPI in line with its current policy reserves the right to change or revise specifications and product design in connection with any feature of our products. Such changes do not entitle the buyer to corresponding changes improvements, additions, or replacements for equipment previously sold or shipped.

CALL TOLL FREE: 800-525-3692 (609-714-2330)

FAX: 609-714-2331 www.rpiindustries.com

220 ROUTE 70, MEDFORD, NJ 08055