

## MODEL # FMSS - HFS

### SPECIFICATIONS

The Specialty Series FMSS module is designed for additional SKUs in your store when placed in front of any service case. It also Allows opportunities to add sales of complimentary products in any department, and can be used in front of any service case or custom fixture. Base heights can be adjusted to fit the needed application.



Available lengths:  37 1/4"  50 1/4"  62 1/4"  74 1/4"  98 1/4"  122 1/4"  146 1/4"

Available depths:  16 7/8"

Available heights:  26" (VARIES)



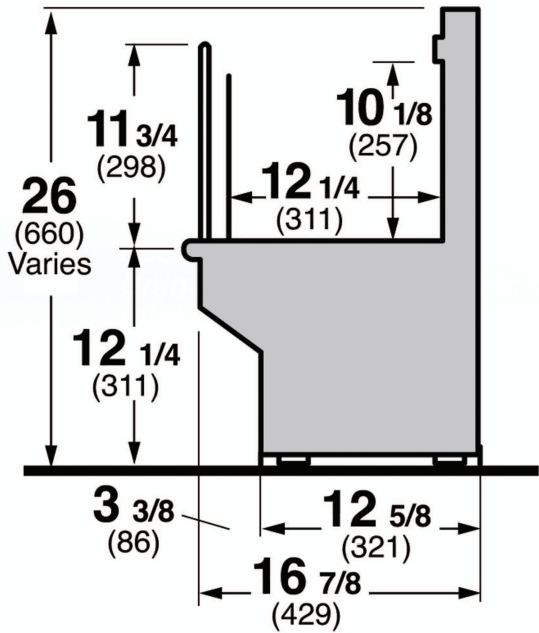
### STANDARD FEATURES

- DOE 2017 Compliant
- Remote Refrigeration
- Stainless Steel Interior
- 1/2" Plexiglass Front
- Large Forced Air Refrigeration Coil
- Solar Digital Thermometer
- 1" Black Vinyl Cart Bumper
- 10" Deep Product Height
- ETL Listed / ETL Sanitation Listed
- Please Reference Color Chart for Choice of Standard Hussmann Paint and Finish Options

### OPTIONAL FEATURES

- Base Height to Match Front of Parent Case
- Joint Trim
- End Panels
- Step Display
- Liquid Line Solenoid
- Liquid Line Hand Valve
- Thermostat
- Custom Lengths and Options  
(Consult Your Hussmann Sales Representative)

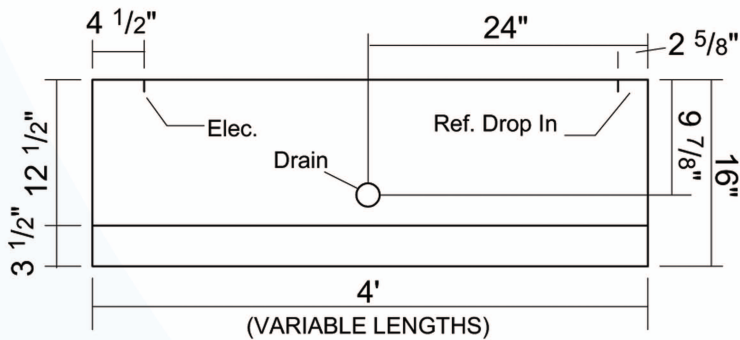
## MODEL # FMSS - HFS



## REMOTE - REFRIGERATED

MODEL	L*	D	H	BTU/HR	VOLTS	AMPS	EVAP. TEMP °F	PLUG	WT	REFRIG.
FMSS3-HFS	37 1/4	16 7/8	26	1794	208-240	0.8	18	Hardwire	195	Verify
FMSS4-HFS	50 1/4	16 7/8	26	2392	208-240	0.11	18	Hardwire	260	Verify
FMSS5-HFS	62 1/4	16 7/8	26	2990	208-240	0.14	18	Hardwire	325	Verify
FMSS6-HFS	74 1/4	16 7/8	26	3588	208-240	0.14	18	Hardwire	390	Verify
FMSS8-HFS	98 1/4	16 7/8	26	4784	208-240	0.18	18	Hardwire	520	Verify
FMSS10-HFS	122 1/4	16 7/8	26	5980	208-240	0.28	18	Hardwire	650	Verify
FMSS12-HFS	146 1/4	16 7/8	26	7178	208-240	0.28	18	Hardwire	780	Verify

\* LENGTHS INCLUDE END PANELS



### Electrical & Plumbing locations



Conforms to UL Standard 471,  
and NSF Standard 7; Certified  
To CSA Standard C22.2 No.120



Hussmann refrigerated merchandisers configured for sale for use in the United States meet or surpass the requirements of the DOE 2017 energy efficiency standards

1. For optimum performance, these models are designed for use in air-conditioned stores where temperature and humidity are maintained at 75°F and 55% R.H. Locate case away from direct sunlight, rapid air currents and extreme temperature changes. Case is designed for holding pre-chilled product only.

RPI in line with its current policy reserves the right to change or revise specifications and product design in connection with any feature of our products. Such changes do not entitle the buyer to corresponding changes improvements, additions, or replacements for equipment previously sold or shipped.

CALL TOLL FREE: 800-525-3692 (609-714-2330)

FAX: 609-714-2331 [www.rpiindustries.com](http://www.rpiindustries.com)

220 ROUTE 70, MEDFORD, NJ 08055

**RPI INDUSTRIES, INC.** v1.13