

ICE ROCK BUCKET

PROJECT: _____
ITEM: _____ QUANTITY: _____

MODEL # VIAP2-0-R-RR-CB

SPECIFICATIONS

The Ice Rock Bucket display - VIAP2-0-R-RR-CB features all stainless steel construction with unique interior walls that chill to the point of being frosted. This innovation keeps your bottled goods cold, and is designed for the storage of various wines, and champagne bottles.



Available lengths: 22 15/16"

Available depths: 22 15/16"

Available heights: 14 5/8"

STANDARD FEATURES

- Stainless steel exterior and interior
- Bottom stainless steel base catch tray with drain
- Remote refrigeration
- Static cooling Programmable digital display controller
- ETL listed in accordance with UL 471 and NSF 2 standards
- Floor Drain Required

OPTIONAL FEATURES

- Self Contained refrigeration (consult factory)



Conforms to UL Standard 471,
and NSF Standard 2; Certified
To CSA Standard C22.2 No.120

MODEL	L	D	H	BTU's	VOLT	AMP	PLUG	WT	REFRIG.
VIAP2-0-R-RR-CB	22 15/16	22 15/16	14 5/8	863 @ 14 Degs	115	0.2	L14-20P	80	134A

CALL TOLL FREE: 800-525-3692 (609-714-2330)

FAX: 609-714-2331 www.rpiindustries.com

220 ROUTE 70, MEDFORD, NJ 08055

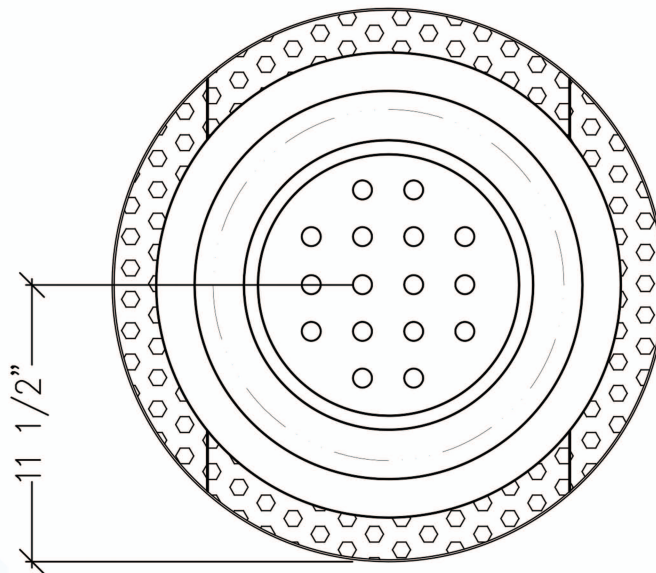
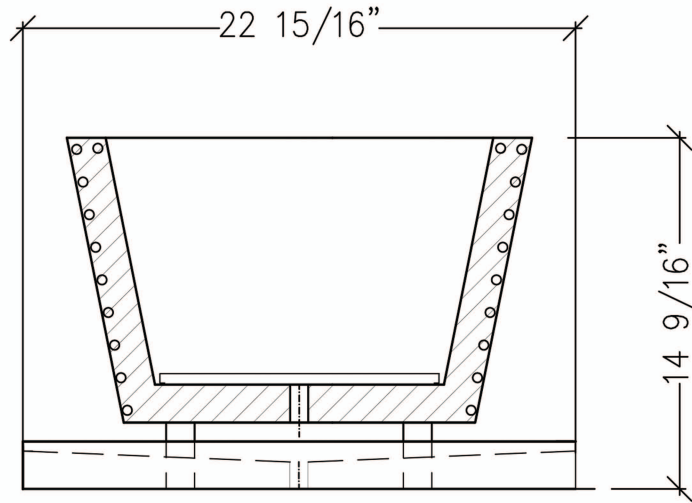
RPI INDUSTRIES, INC. v3_16_15

ICE ROCK BUCKET

PROJECT: _____

TOLL FREE: 800-525-3692

MODEL # VIAP2-0-R-RR-CB



CALL TOLL FREE: 800-525-3692 (609-714-2330)

FAX: 609-714-2331 www.rpiindustries.com

220 ROUTE 70, MEDFORD, NJ 08055

RPI INDUSTRIES, INC. v3_16_15