

## MODEL # IM-BV - HFS

### SPECIFICATIONS

The Isla Series IM-BV is a self-service multi deck bakery display. This unit is available with a variety of customization options, and is capable of being combined with different Isla Series modules in order to better satisfy the customers foot print! Available in End, Center, and Inline configurations.



Available lengths: End (E) Center (C) Inline (I)

E:  60" (Half Round End Module)

C:  36"  48"  60"  72"  96"

I:  36"  48"  60"  72"  96"

Available depths:  33 5/8" (C)  35 3/8" (E/I)

Available heights:  50"  58"



### STANDARD FEATURES

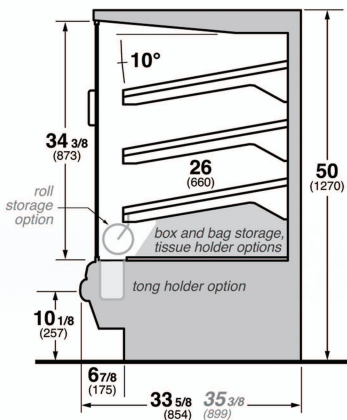
- DOE 2017 Compliant
- Remote Refrigeration
- Painted Exterior
- Black Interior
- Self-Closing See-Through Hinged Glass Doors
- T5 Canopy Lights
- Tempered Glass Top
- Wire Rack Shelves (Unlit)
- Impact Bumper
- ETL Listed / ETL Sanitation Listed
- Please Reference Color Chart for Choice of Standard Hussmann Paint and Finish Options

### OPTIONAL FEATURES

- Laminated Flat Body Panel (Required for IM-E180-BV)
- White Interior
- Sliding Rear Access Loading Doors (Inline Modules Only)
- 2 Way Glass Mirror Sliding Door
- Finished Exterior Back Cover (Inline)
  - Painted  Stainless Steel
- Various Bakery Merchandising Tools
  - Tissue Dispenser  Bag Storage  Tie Cup  Roll Bag
  - Tongs and Holder
- LED Canopy Lights
- 26" Clear or Black Glass Overlay In Lieu of Wire Shelves
- Sheet Pan Shelf Supports
- LED, T5 Shelf Lighting
- End Panels
  - Flush (Inline)  Solid  View  Autobrite - Interior
- End Panels with Wrap-Around Bumper (Inline)
  - Solid  View  Autobrite - interior
- Solid Transition Panel (Between Dissimilar Temp Modules)
- Counter Transition Panel (Partial End Panel (When Adjacent to Food Counter Modules)
- Special Interior and Exterior Finishes\*  
(Consult Your Hussmann Sales Representative)

## MODEL # IM-BV - HFS

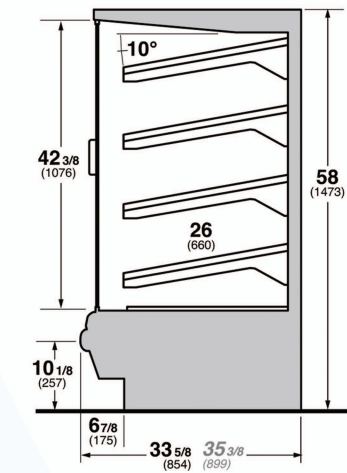
## AMBIENT (CENTER)



**IM-04-BV**  
Isla Bakery Module

MODEL	L	D	H	VOLT	AMP	PLUG	WT
IM-04/05-C3-BV-HFS	36	33 5/8	50/58	208/1	0.31	5-15P	800
IM-04/05-C4-BV-HFS	48	33 5/8	50/58	208/1	0.44	5-15P	1000
IM-04/05-C5-BV-HFS	60	33 5/8	50/58	208/1	0.58	5-15P	1100
IM-04/05-C6-BV-HFS	72	33 5/8	50/58	208/1	0.72	5-15P	1200
IM-04/05-C8-BV-HFS	96	33 5/8	50/58	208/1	1.11	5-15P	1400

## AMBIENT (IN-LINE)



**IM-05-BV**  
Isla Bakery Module

MODEL	L	D	H	VOLT	AMP	PLUG	WT
IM-04/05-I3-BV-HFS	36	35 3/8	50/58	208/1	0.31	5-15P	800
IM-04/05-I4-BV-HFS	48	35 3/8	50/58	208/1	0.44	5-15P	1000
IM-04/05-I5-BV-HFS	60	35 3/8	50/58	208/1	0.58	5-15P	1100
IM-04/05-I6-BV-HFS	72	35 3/8	50/58	208/1	0.72	5-15P	1200
IM-04/05-I8-BV-HFS	96	35 3/8	50/58	208/1	1.11	5-15P	1400

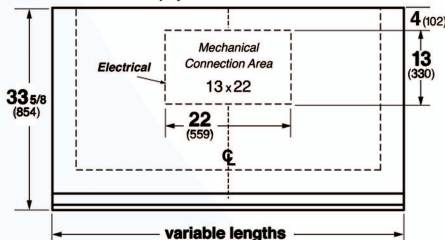
## AMBIENT (END)

MODEL	L	D	H	VOLT	AMP	PLUG	WT
IM-04/05-E5-BV-HFS	60	35 3/8	50/58	208/1	0.56	5-15P	1100



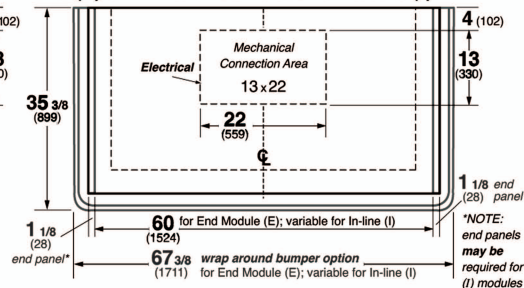
**IM-BV HALF ROUND  
END MODULE**

### Center Module (C)



**Electrical locations**

### End (E) & In-line or Stand-alone module (I)



Conforms to UL Standard 471,  
and NSF Standard 7; Certified  
To CSA Standard C22.2 No.120



**Hussmann refrigerated merchandisers configured for sale for use in the United States meet or surpass the requirements of the DOE 2017 energy efficiency standards**

1. For optimum performance, these models are designed for use in air-conditioned stores where temperature and humidity are maintained at 75°F and 55% R.H. Locate case away from direct sunlight, rapid air currents and extreme temperature changes. Case is designed for holding pre-chilled product only.

RPI in line with its current policy reserves the right to change or revise specifications and product design in connection with any feature of our products. Such changes do not entitle the buyer to corresponding changes improvements, additions, or replacements for equipment previously sold or shipped.

CALL TOLL FREE: 800-525-3692 (609-714-2330)

FAX: 609-714-2331 [www.rpiindustries.com](http://www.rpiindustries.com)

220 ROUTE 70, MEDFORD, NJ 08055