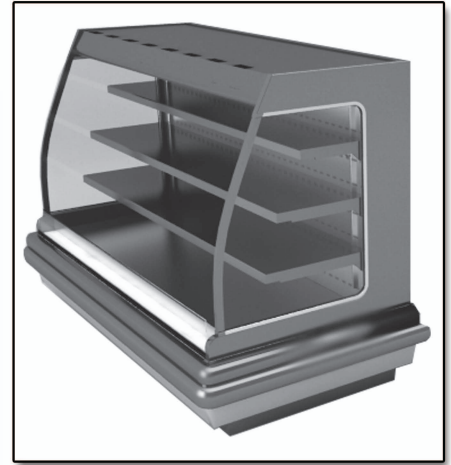


## MODEL # IM-H - HFS

### SPECIFICATIONS

The Isla Series IM-H Module features a new “heat shelf” design, and hardcoat aluminum surface allowing for maintaining of even product temperatures. The module features individual digital thermostat controls for each shelf, aluminum framed doors for ease-of-access, and the new “heat shelves” feature drop-and-plug simplicity. Like the IM-R, the IM-H is available with a number of different sizes and configuration options.

Available in End, Center, and Inline configurations.



Available lengths: End (E) Center (C) Inline (I)

E:  67 1/4"

C:  36"  48"  60"  72"  96"

I:  36"  48"  60"  72"  96"

Available depths:  31 7/8"

Available heights:  50"  58"



### STANDARD FEATURES

- DOE 2017 Compliant
- Black Hard Coat Aluminum Surface Warmers
- Adjustable Shelves with Plug-In Surface Warmers
- Lighted Canopy and Shelves
- Stainless Steel Interior
- Impact Style 3" Bumper
- Separate Digital Thermostat Controllers for Each Shelf
  - 208v
  - 240v
- ETL Listed / ETL Sanitation Listed
- Please Reference Color Chart for Choice of Standard Hussmann Paint and Finish Options

### OPTIONAL FEATURES

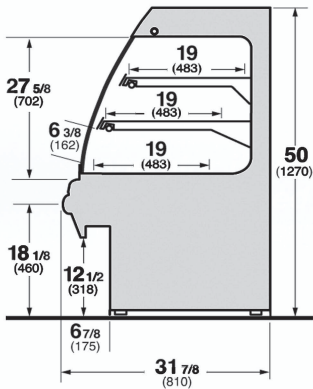
- View Glass Vision End Panels
- Solid End Panels with Autobrite Interior
- Wrap-Around Bumper Ends
- Rear Sliding Glass Access Doors with Rear Controls
  - Stand Alone
  - Inline
- Rear 2-Way Glass Mirror Sliding Access Door with Rear Controls
- Q Series Front Match (IM-03 Only)
- Locking Control Panel
- Special Interior and Exterior Finishes\*  
(Consult Your Hussmann Sales Representative)

## MODEL # IM-H - HFS

## HOT (IN-LINE)

### IM-03-H

Self-Service Hot Module



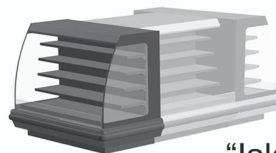
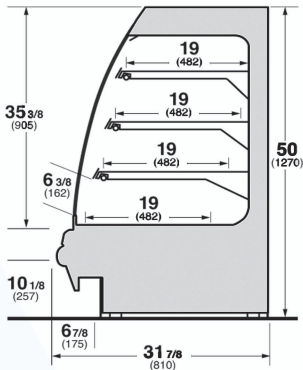
MODEL	L	D	H	VOLT	AMP	PLUG	WT
IM-03/IM-04/05-1/C3-H-HFS	36	31 7/8	50 /58	208-240	8.6	5-15P	800
IM-03/IM-04/05-1/C4-H-HFS	48	31 7/8	50 /58	208-240	12.1	5-15P	1000
IM-03/IM-04/05-1/C5-H-HFS	60	31 7/8	50 /58	208-240	15.5	5-15P	1200
IM-03/IM-04/05-1/C6-H-HFS	72	31 7/8	50 /58	208-240	18.7	5-15P	1400
IM-03/IM-04/05-1/C8-H-HFS	96	31 7/8	50 /58	208-240	22.0	5-15P	1600

## HOT (END)

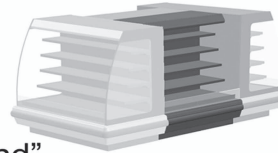
MODEL	L	D	H	VOLT	AMP	PLUG	WT
IM-03/IM-04/05-E5-HFS	67 1/4	31 7/8	50 /58	208-240	15.5	5-15P	1100

### IM-04-H

Hot Multi-Deck Module



"Island"  
(End and Center Modules)

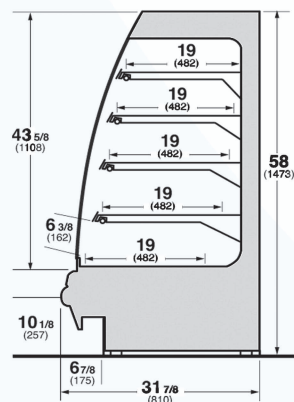


"Inline"  
(Inline Modules)

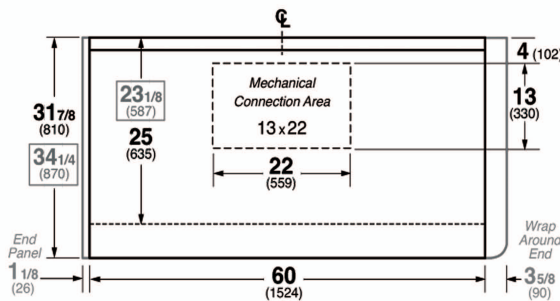


### IM-05-H

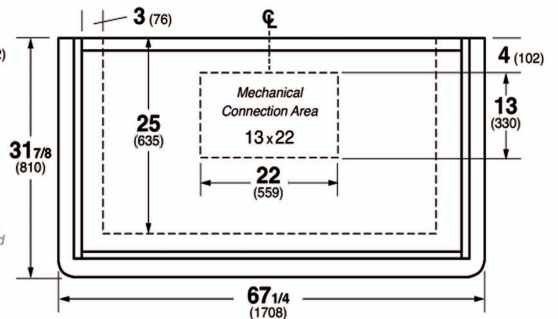
Hot Multi-Deck Module



### IM-C5-H Center Module / IM-15-H Q-Series Match



### IM-E5-H End Module



Conforms to UL Standard 197,  
and NSF Standard 4; Certified  
To CSA Standard C22.2 No.109



Hussmann Heated merchandisers configured for sale for use in the United States meet or surpass the requirements of the DOE 2017 energy efficiency standards

1. For optimum performance, these models are designed for use in air-conditioned stores where temperature and humidity are maintained at 75°F and 55% R.H. Locate case away from direct sunlight, rapid air currents and extreme temperature changes. Case is designed for holding pre-chilled product only.

RPI in line with its current policy reserves the right to change or revise specifications and product design in connection with any feature of our products. Such changes do not entitle the buyer to corresponding changes improvements, additions, or replacements for equipment previously sold or shipped.

CALL TOLL FREE: 800-525-3692 (609-714-2330)

FAX: 609-714-2331 [www.rpiindustries.com](http://www.rpiindustries.com)

220 ROUTE 70, MEDFORD, NJ 08055