

## MODEL # SFG - HFS

### SPECIFICATIONS

The Specialty Isla Series SFG module is designed for both frozen and medium temperature applications. The units structure is formatted to match that of the other Isla series units, and its dual temperature capability makes SFG the perfect choice for bakery, seafood, meat, deli, produce, and prepared foods!



Available lengths:  48 1/8"  59 3/4"  72 1/8"  96 1/4"  144 3/8"

Available depths:  45 5/8"

Available heights: Body Match . . .

Isla Series: 32 1/8"  SGB Series: 34 5/8"



### STANDARD FEATURES

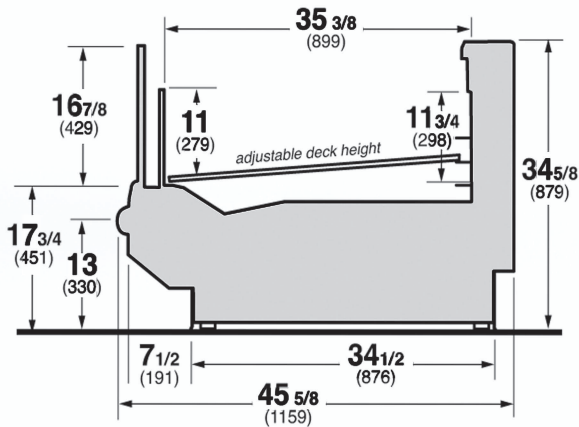
- DOE 2017 Compliant
- Remote Refrigeration
- Medium or Low Temperature
- Standard Depth
- Black Painted Interior
- Insulated Front Glass and Product Stop
- Please Reference Color Chart for Choice of Standard Hussmann Paint and Finish Options
- ETL Listed / ETL Sanitation Listed
- Environmentally Safe Refrigerant

### OPTIONAL FEATURES

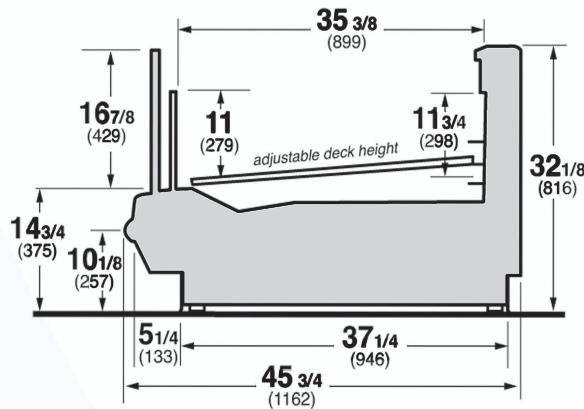
- Isla Series Body Match
- SHVS/SGB Body Match
- Solid or View End Panels
- Dual Temperature Option
- White Painted Interior
- Isla Back Panel (50" or 58" High) (Isla Body Match)
- Dry Shelving on Back Panel (Isla Body Match)
- LED Dry Shelf Lighting (Isla Body Match)
- Glass Sign Panel (Lighted)
- Plexiglass Sign Panel (Etched or Lighted)
- Kool Gas (Low Temperature)
- Special Interior and Exterior Finishes  
(Consult Your Hussmann Sales Representative)

## MODEL # SFG - HFS

**SFG** (Shown with SGB Body Match)



**SFG** (Shown with Isla Body Match)

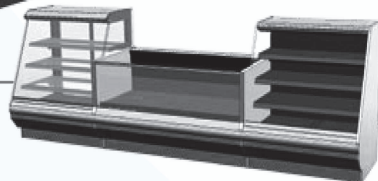


Isla Island Body Match

Design Flexibility

- Designed for multiple low or medium temp department applications (Bakery, Seafood, Meat, Deli, Produce, Prepared Foods).
- Multiple body designs to match Isla or SHVS/SGB.

SHVS/SGB  
Body Match



## REMOTE - REFRIGERATED (MEDIUM TEMP.)

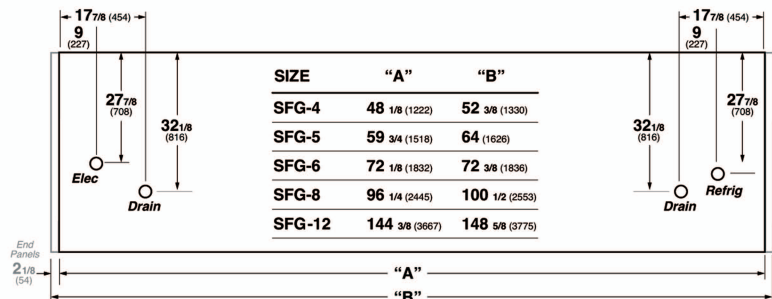
MODEL	L	D	H	BTU/HR	VOLTS	AMPS	EVAP. TEMP °F	PLUG	WT	REFRIG.
SFG4'-HFS	48 1/8	45 5/8	34 5/8	1380	120	2.0	20	Hardwire	800	Verify
SFG5'-HFS	59 3/4	45 5/8	34 5/8	1725	120	2.1	20	Hardwire	1100	Verify
SFG6'-HFS	72 1/8	45 5/8	34 5/8	2070	120	2.4	20	Hardwire	1200	Verify
SFG8'-HFS	96 1/4	45 5/8	34 5/8	2760	120	2.6	20	Hardwire	1400	Verify
SFG12'-HFS	144 3/8	45 5/8	34 5/8	4140	120	3.0	20	Hardwire	1600	Verify

## REMOTE - REFRIGERATED (FROZEN FOOD)

MODEL	L	D	H	BTU/HR	VOLTS	AMPS	EVAP. TEMP °F	PLUG	WT	REFRIG.
SFG4'-HFS	48 1/8	45 5/8	34 5/8	1564	120	2.0	-20	Hardwire	800	Verify
SFG5'-HFS	59 3/4	45 5/8	34 5/8	1955	120	2.1	-20	Hardwire	1100	Verify
SFG6'-HFS	72 1/8	45 5/8	34 5/8	2346	120	2.4	-20	Hardwire	1200	Verify
SFG8'-HFS	96 1/4	45 5/8	34 5/8	3128	120	2.6	-20	Hardwire	1400	Verify
SFG12'-HFS	144 3/8	45 5/8	34 5/8	4692	120	3.0	-20	Hardwire	1600	Verify

## REMOTE - REFRIGERATED (CAKE)

MODEL	L	D	H	BTU/HR	VOLTS	AMPS	EVAP. TEMP °F	PLUG	WT	REFRIG.
SFG4'-HFS	48 1/8	45 5/8	34 5/8	1587	120	2.0	-25	Hardwire	800	Verify
SFG5'-HFS	59 3/4	45 5/8	34 5/8	1984	120	2.1	-25	Hardwire	1100	Verify
SFG6'-HFS	72 1/8	45 5/8	34 5/8	2381	120	2.4	-25	Hardwire	1200	Verify
SFG8'-HFS	96 1/4	45 5/8	34 5/8	3174	120	2.6	-25	Hardwire	1400	Verify
SFG12'-HFS	144 3/8	45 5/8	34 5/8	4761	120	3.0	-25	Hardwire	1600	Verify



## Electrical & Plumbing locations



Conforms to UL Standard 471,  
and NSF Standard 7; Certified  
To CSA Standard C22.2 No.120



Hussmann refrigerated merchandisers configured for sale for use in the United States meet or surpass the requirements of the DOE 2017 energy efficiency standards

1. For optimum performance, these models are designed for use in air-conditioned stores where temperature and humidity are maintained at 75°F and 55% R.H. Locate case away from direct sunlight, rapid air currents and extreme temperature changes. Case is designed for holding pre-chilled product only.

RPI in line with its current policy reserves the right to change or revise specifications and product design in connection with any feature of our products. Such changes do not entitle the buyer to corresponding changes improvements, additions, or replacements for equipment previously sold or shipped.

CALL TOLL FREE: 800-525-3692 (609-714-2330)

FAX: 609-714-2331 [www.rpiindustries.com](http://www.rpiindustries.com)

220 ROUTE 70, MEDFORD, NJ 08055