

MODEL # P2X-E - HFS

SPECIFICATIONS

The Excel Series P2X creates an appealing wall of produce in both single and two deck configurations. Superior display features include full vision glass ends, illuminated canopy signs, improved ledge lighting and more!



Available lengths: 75 3/8" 99 3/8" 147 1/2"

Available depths: 42"

Available heights: 74 3/8"



UNIT SHOWN WITH OPTIONAL SHELVES
AND SOLID END PANELS

STANDARD FEATURES

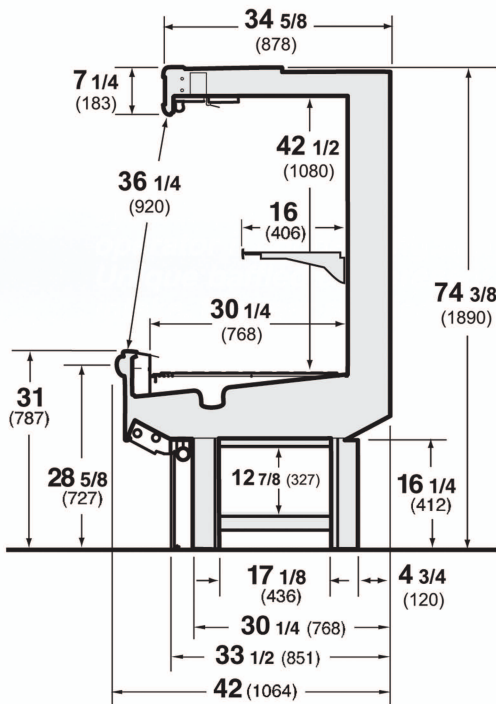
- DOE 2017 Compliant
- Remote Refrigeration
- All Metal Construction
- Hussmann Standard Paint & Bumper Colors
(Consult Factory for Available Colors)
- (1) Row Top Canopy Lighting
- 30 1/4" Base Deck Display
- Front Cart Bumper
- Energy Efficient Coil
- Hardwire Direct
- Listed in Accordance with UL 471
and NSF 7 Standards
- 5 Year Modular Coil Warranty
- Floor Drain Required

OPTIONAL FEATURES

- Stainless Steel Exterior Finish
- Hussmann Optional Colors
(Consult Factory for Available Colors)
- Up to (3) Rows of Optional Shelves
(Consult Factory for More Information)
- Up to (3) Additional Rows of Top Canopy Lighting
(Consult Factory)
- Lighting Under Shelves
(Consult Factory for All Available Options)
- Solid End Panels
 - Right Left Both Ends
- View End Panels
 - Right Left Both Ends
- Contour End Panels
 - Right Left Both Ends
- Solid End Panels with Mirrored Interior
(Consult Factory for More Information)
- Illuminated Canopy Signs
- Standard Top Interior Mirror
- Pull Down Night Curtain
- E-Plus (EP) Extra-High Efficiency Coil
(Reduces Energy Costs by 18%)

MODEL # P2X-E - HFS

REMOTE - REFRIGERATED



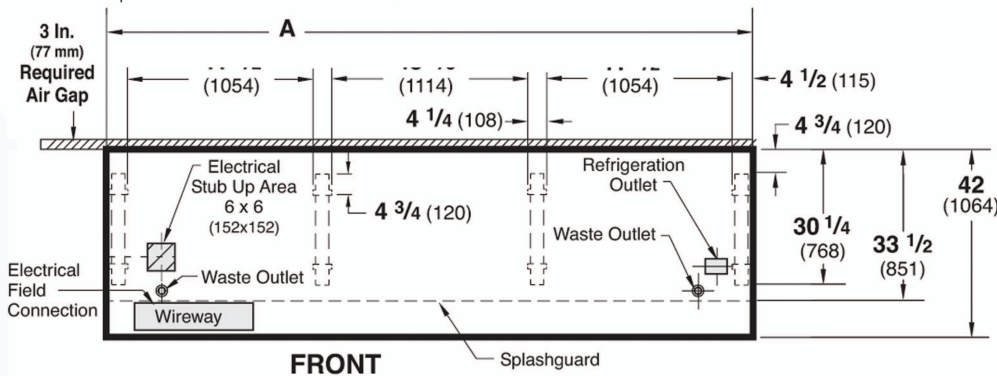
MODEL	L*	D	H	BTU / HR**	VOLTS	AMPS	EVAP. TEMP °F	PLUG	WT	REFRIG.
P2X-6E-HFS	75 3/8	42	74 3/8	6174	120-230	20	24	Hardwire	800	Verify
P2X-8E-HFS	99 3/8	42	74 3/8	8232	120-230	20	24	Hardwire	1000	Verify
P2X-12E-HFS	147 1/2	42	74 3/8	12348	120-230	20	24	Hardwire	1200	Verify

* LENGTHS INCLUDE END PANELS

** ADD 10 BTU / HR PER SHELF ROW FOR LED LIGHT FIXTURES

** ADD 20 BTU / HR PER SHELF ROW FOR T-8 LIGHT FIXTURES

Note: Please use Hussmann's technical data sheets to get precise dimensions for all store layout purposes.



Electrical & Plumbing locations

Dimension	8 FT	12 FT
A	96 3/8 (2448)	144 1/2 (3670)

Notes:
Overall case length without ends or partitions.



Conforms to UL Standard 471,
and NSF Standard 7; Certified
To CSA Standard C22.2 No.120



Hussmann refrigerated merchandisers configured for sale for use in the United States meet or surpass the requirements of the DOE 2017 energy efficiency standards

1. For optimum performance, these models are designed for use in air-conditioned stores where temperature and humidity are maintained at 75°F and 55% R.H. Locate case away from direct sunlight, rapid air currents and extreme temperature changes. Case is designed for holding pre-chilled product only.

RPI in line with its current policy reserves the right to change or revise specifications and product design in connection with any feature of our products. Such changes do not entitle the buyer to corresponding changes improvements, additions, or replacements for equipment previously sold or shipped.

CALL TOLL FREE: 800-525-3692 (609-714-2330)

FAX: 609-714-2331 www.rpiindustries.com

220 ROUTE 70, MEDFORD, NJ 08055