

## MODEL # PW-E - HFS

### SPECIFICATIONS

The Excel Series PW-E is designed for bulk produce applications, the PW-E provides dramatic advances in refrigeration performance for produce island displays. A unique coil, center flue and air discharge design forces cold air through products. Produce is kept colder with very stable and consistent temperatures throughout the entire display area. Each end case also has a dedicated coil and fan package to ensure superior refrigeration performance.



Available lengths:  74 5/8" (END CAP)  75 3/8"  99 3/8"  147 1/2"

Available depths:  74 11/16"  37 1/4" (END CAP)

Available heights:  44"



PW-E UNIT SHOWN WITH  
PW-EE END CAP MODEL

### STANDARD FEATURES

- DOE 2017 Compliant
- Remote Refrigeration
- All Metal Construction
- Hussmann Standard Paint & Bumper Colors  
(Consult Factory for Available Colors)
- 8 1/8" Non-Refrigerated Top Display
- 27 3/4" Base Deck Display
- Front Cart Bumper
- Center Air Discharge
- Hardwire Direct
- Listed in Accordance with UL 471  
and NSF 7 Standards
- 5 Year Modular Coil Warranty
- Floor Drain Required

### OPTIONAL FEATURES

- Stainless Steel Exterior Finish
- Hussmann Optional Colors  
(Consult Factory for Available Colors)
- Slanted Wire Rack(s)
- 5" Optional Kit for additional center height  
(Increases Center Air Discharge and Interior Capacity)

## MODEL # PW-E - HFS

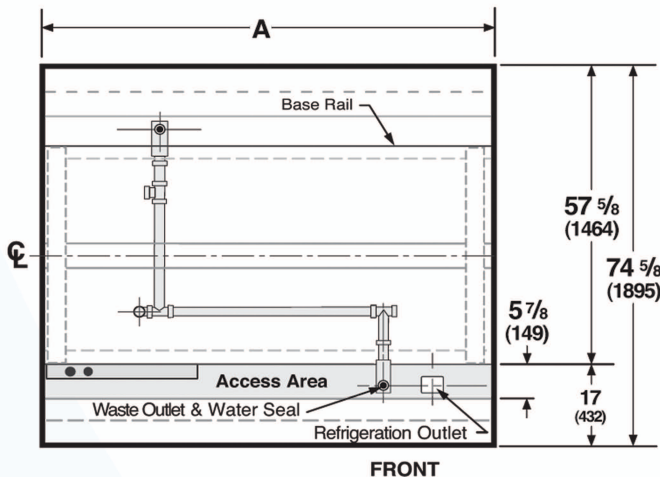
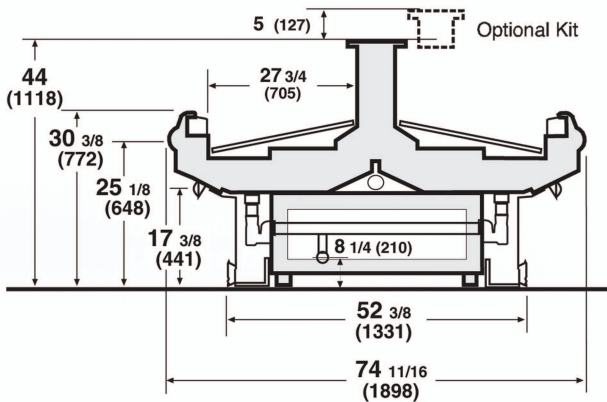
## REMOTE - REFRIGERATED

MODEL	L*	D	H	BTU/HR**	VOLTS	AMPS	EVAP. TEMP °F	PLUG	WT	REFRIG.
PW 6'-HFS	75 3/8	74 11/16	44	7230	120	.75	24	Hardwire	800	Verify
PW 8'-HFS	99 3/8	74 11/16	44	9640	120	1.41	24	Hardwire	1000	Verify
PW 12'-HFS	147 1/2	74 11/16	44	14460	120	2.07	24	Hardwire	1200	Verify
END CAP	74 5/8	37 1/4	44	2730	120	.91	24	Hardwire	300	Verify

\* LENGTHS INCLUDE END PANELS

\*\* BTU / HR FOR DAIRY, DELI, PRODUCE

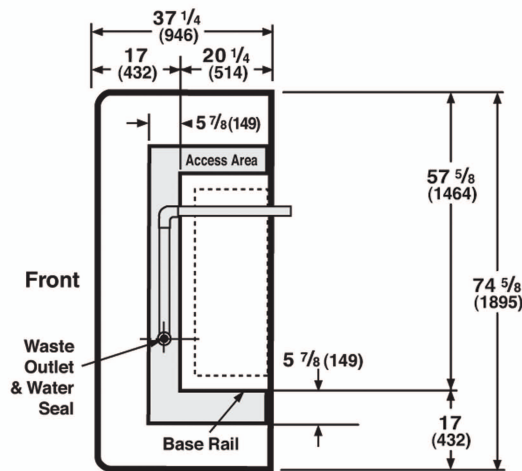
**Note: Please use Hussmann's technical data sheets to get precise dimensions for all store layout purposes.**



### Electrical & Plumbing locations

Dimension	6 FT	8 FT	12 FT
A	72 1/4 (1835)	96 3/8 (2448)	144 1/2 (3670)

**Notes:**  
Overall case length without ends or partitions.



### PWEE (END CAP)

**Notes:**  
Maximum outside dimension of case (side-to-side) includes bumper.  
Overall case length without ends or partitions.



Conforms to UL Standard 471, and NSF Standard 7; Certified To CSA Standard C22.2 No.120



**Hussmann refrigerated merchandisers configured for sale for use in the United States meet or surpass the requirements of the DOE 2017 energy efficiency standards**

1. For optimum performance, these models are designed for use in air-conditioned stores where temperature and humidity are maintained at 75°F and 55% R.H. Locate case away from direct sunlight, rapid air currents and extreme temperature changes. Case is designed for holding pre-chilled product only.

RPI in line with its current policy reserves the right to change or revise specifications and product design in connection with any feature of our products. Such changes do not entitle the buyer to corresponding changes improvements, additions, or replacements for equipment previously sold or shipped.

CALL TOLL FREE: 800-525-3692 (609-714-2330)

FAX: 609-714-2331 [www.rpiindustries.com](http://www.rpiindustries.com)

220 ROUTE 70, MEDFORD, NJ 08055