

## MODEL # Q1-SS - HFS

### SPECIFICATIONS

The Q Series Q1-SS boasts stylish curves combined with sleek design elements such as a plexiglass front creating enhanced product visibility. The Q1-SS features granite or solid surface, which allows for an amazing merchandising display. Designed for ease of installation the Q1-SS has a simplified design that assures proper "fit" and does not require unsightly joint trim.



Available lengths:  50 1/4"  62 1/4"  74 1/4"  98 1/4"  122 1/4"  146 1/4"

Available depths:  45 1/4"

Available heights:  33 7/8"

Optional wedges:  22 1/2° (I/O)  45° (I/O)  90° (Outside Only)



### STANDARD FEATURES

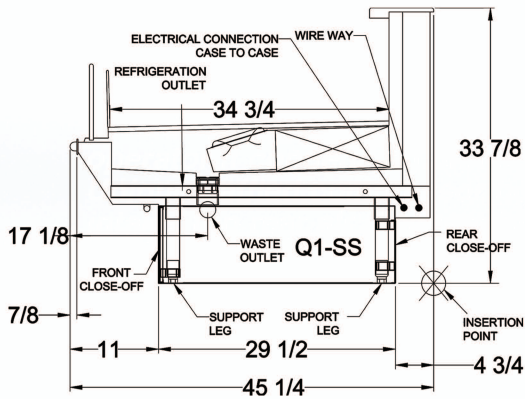
- DOE 2017 Compliant
- Self-Contained Refrigeration
- Remote-Refrigeration
- 1/2" Plexiglass Front
- Modular Coil System (5 Year Warranty)
- Adjustable Stainless Steel Legs
- Snap-On Painted Lower Front Panel
- Black Thermoplastic Front & Rear Ledge
- Black Vinyl Cart Bumper
- Hand Removable Brushed Stainless Steel Interior Wall and Deck
- Snap-On Stainless Steel Rear Close-Off Panel
- Solar Digital Thermometer
- Please Reference Color Chart for choice of Standard Hussmann Paint and Finish Options
- ETL Listed / ETL Sanitation Listed
- Environmentally Safe Refrigerant

### OPTIONAL FEATURES

- Thermostat
- Heresite Coated Coils
- Stainless Steel 1 or 2 Step Display
- Corian®, Granite or Other Solid Surface Front and Rear Ledge Surfaces (Requires NSF Approved Materials)
- View or Solid Ends
- Mirror Finish Stainless Steel Inside End Panels
- Stainless Steel Mock Pedestals
- Ledge Lighting
- Liquid Line Shut-Off Hand Valve
- 15 Amp and GFCI Duplex Outlets
- Special Interior and Exterior Finishes
- Optional Base Heights (Consult Factory)
- Custom Lengths and Options\*  
(Consult Your Hussmann Sales Representative)

## MODEL # Q1-SS - HFS

## SELF - CONTAINED

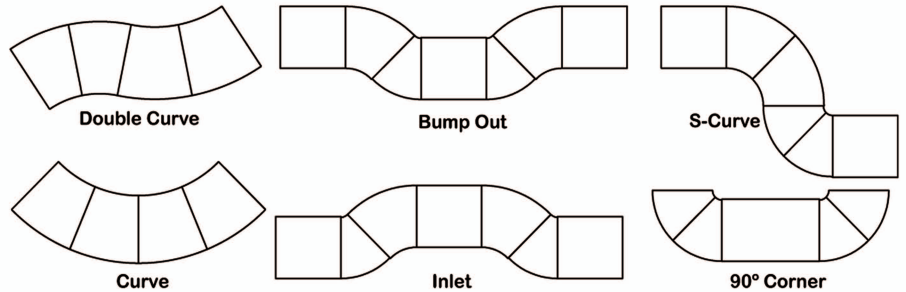
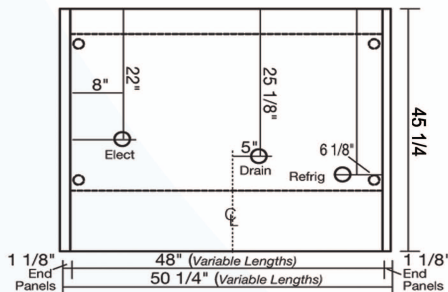
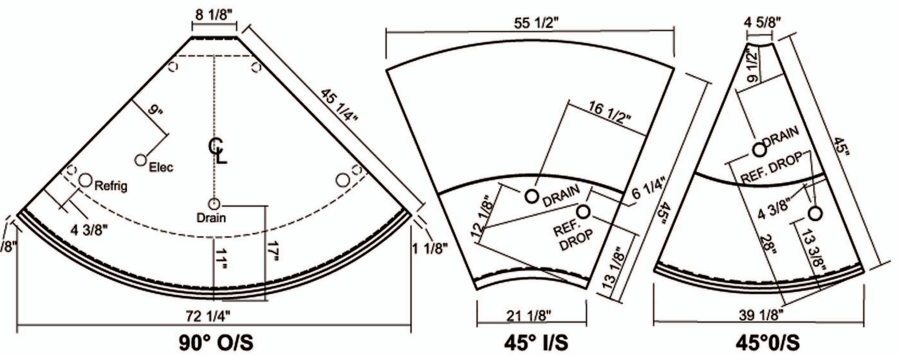
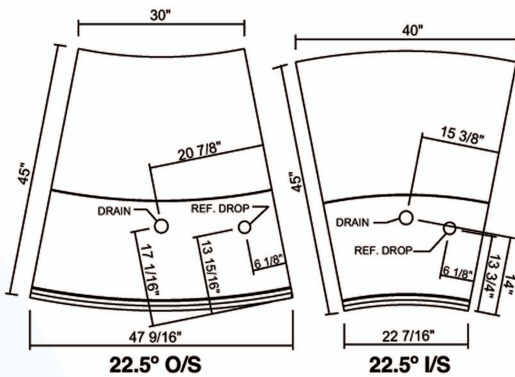


MODEL	L*	D	H	HP	VOLTS	AMPS	PLUG	WT	REFRIG.
Q1-SS 4'-HFS	50 1/4	45 1/4	33 7/8	1/4	120	15	5-15P	600	404A
Q1-SS 5'-HFS	62 1/4	45 1/4	33 7/8	1/4	120	15	5-15P	700	404A
Q1-SS 6'-HFS	74 1/4	45 1/4	33 7/8	1/4	120	15	5-15P	900	404A
Q1-SS 8'-HFS	98 1/4	45 1/4	33 7/8	1/4	120	15	5-15P	1100	404A

## REMOTE - REFRIGERATED

MODEL	L*	D	H	BTU/HR	VOLTS	AMPS	EVAP. TEMP °F	PLUG	WT	REFRIG.
Q1-SS 4'-HFS	50 1/4	45 1/4	33 7/8	3036	120	15	20	Hardwire	500	Verify
Q1-SS 5'-HFS	62 1/4	45 1/4	33 7/8	3795	120	15	20	Hardwire	600	Verify
Q1-SS 6'-HFS	74 1/4	45 1/4	33 7/8	4554	120	15	20	Hardwire	800	Verify
Q1-SS 8'-HFS	98 1/4	45 1/4	33 7/8	6072	120	15	20	Hardwire	1000	Verify
Q1-SS 10'-HFS	122 1/4	45 1/4	33 7/8	7590	120	15	20	Hardwire	1200	Verify
Q1-SS 12'-HFS	146 1/4	45 1/4	33 7/8	9108	120	15	20	Hardwire	1300	Verify

\* LENGTHS INCLUDE END PANELS



## Electrical & Plumbing locations



Conforms to UL Standard 471, and NSF Standard 7; Certified To CSA Standard C22.2 No.120



Hussmann refrigerated merchandisers configured for sale for use in the United States meet or surpass the requirements of the DOE 2017 energy efficiency standards

1. For optimum performance, these models are designed for use in air-conditioned stores where temperature and humidity are maintained at 75°F and 55% R.H. Locate case away from direct sunlight, rapid air currents and extreme temperature changes. Case is designed for holding pre-chilled product only.

RPI in line with its current policy reserves the right to change or revise specifications and product design in connection with any feature of our products. Such changes do not entitle the buyer to corresponding changes improvements, additions, or replacements for equipment previously sold or shipped.

CALL TOLL FREE: 800-525-3692 (609-714-2330)

FAX: 609-714-2331 [www.rpiindustries.com](http://www.rpiindustries.com)

220 ROUTE 70, MEDFORD, NJ 08055