

MODEL # Q3-BS (STRAIGHT GLASS) - HFS

SPECIFICATIONS

The Q Series Q3-BS Straight Glass boasts stylish clean lines combined with sleek design elements creating enhanced product visibility. Designed for ease of installation, the Q3-BS has a simplified glass adjustment with a special alignment design that assures fit does not require unsightly joint trim. Unit is available as a Dry or Remote Refrigerated case for bakery purposes



Available lengths: 50 1/4" 62 1/4" 74 1/4" 98 1/4" 122 1/4" 146 1/4"

Available depths: 41 3/8"

Available heights: 52" (STANDARD)



Optional heights: 41" 42" 43" 44" 45" 46" 47" 48" 49"
 50" 51" 52" 53" 54" 55" 56" 57" 58"
 59"

Optional wedges: 22 1/2° (I/O) 45° (I/O)

STANDARD FEATURES

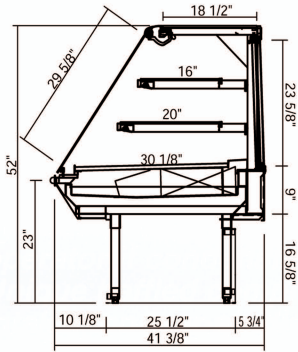
- DOE 2017 Compliant
- Remote-Refrigeration
- Tempered, Non-Glare, Lift-Up Straight Front Clear Glass
- Large Clear Glass Sliding Rear Doors
- Silver Anodized Glass Hardware
- Black Thermoplastic Front Ledge
- Clear Glass Top
- Stainless Steel Interior
- Snap-On Stainless Steel Lower Rear Panel
- Snap-On Painted Front Panel
- Black Vinyl Cart Bumper
- Double Row of High Color Definition Lamps
- Solar Digital Thermometer (Refrigerated)
- Front Glass Heated Air Sweep (Refrigerated)
- Thermostat and Suction Stop Installed (Remote)
- Please Reference Color Chart for Choice of Standard Hussmann Paint and Finish Options
- ETL Listed / ETL Sanitation Listed
- Environmentally Safe Refrigerant

OPTIONAL FEATURES

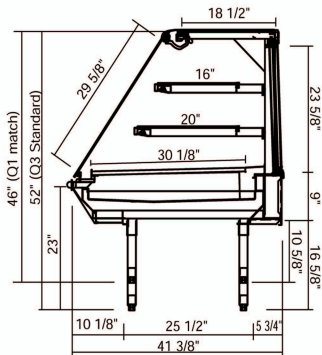
- Corian®, Granite or Other Solid Surface Front and/or Top Ledge (NSF Approved Material)
- Lighted Shelves 16" & 20" (Glass, Stainless Steel or Wire)
- Energy Efficient LED Lighting for Shelves and Canopy
- Thermoplastic Wrapping Boards with Adjustable Riser
- View or Solid Ends
- Mirror Bright Interior End Panels
- Stainless Steel Pedestals
- Mirrored Rear Sliding Doors
- Top Mounted Scale Stand Extensions with Dedicated Scale Outlet and Cat 5 Scale Connections
- Ledge lighting
- 15 Amp GFCI Duplex Outlet
- Liquid Line Shut-Off Hand Valve
- Special Interior and Exterior Finishes
- Custom Lengths and Options

MODEL # Q3-BS (STRAIGHT GLASS) - HFS **REMOTE - REFRIGERATED**

REMOTE - REFRIGERATED



AMBIENT

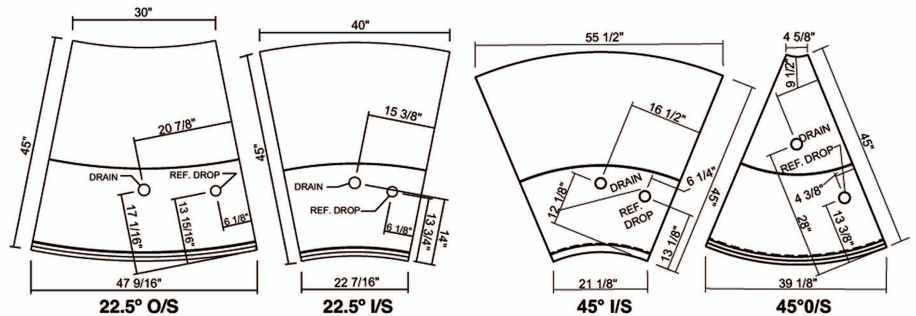
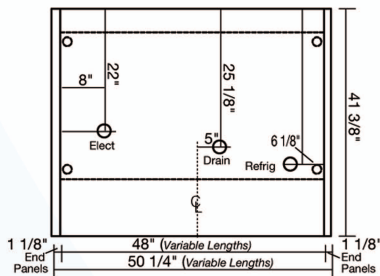


MODEL	L*	D	H	BTU / HR	VOLTS	AMPS	EVAP. TEMP °F	PLUG	WT	REFRIG.
Q3-BS 4'-HFS	50 1/4	41 3/8	52	2992	120	15	20	Hardwire	800	Verify
Q3-BS 5'-HFS	62 1/4	41 3/8	52	3740	120	15	20	Hardwire	900	Verify
Q3-BS 6'-HFS	74 1/4	41 3/8	52	4488	120	15	20	Hardwire	1000	Verify
Q3-BS 8'-HFS	98 1/4	41 3/8	52	5984	120	15	20	Hardwire	1200	Verify
Q3-BS 10'-HFS	122 1/4	41 3/8	52	7480	120	15	20	Hardwire	1400	Verify
Q3-BS 12'-HFS	146 1/4	41 3/8	52	8976	120	15	20	Hardwire	1500	Verify

AMBIENT

MODEL	L*	D	H	VOLTS	AMPS	WT
Q3-BS 4'-HFS	50 1/4	41 3/8	52	120	15	800
Q3-BS 5'-HFS	62 1/4	41 3/8	52	120	15	900
Q3-BS 6'-HFS	74 1/4	41 3/8	52	120	15	1000
Q3-BS 8'-HFS	98 1/4	41 3/8	52	120	15	1100
Q3-BS 10'-HFS	122 1/4	41 3/8	52	120	15	1200
Q3-BS 12'-HFS	146 1/4	41 3/8	52	120	15	1400

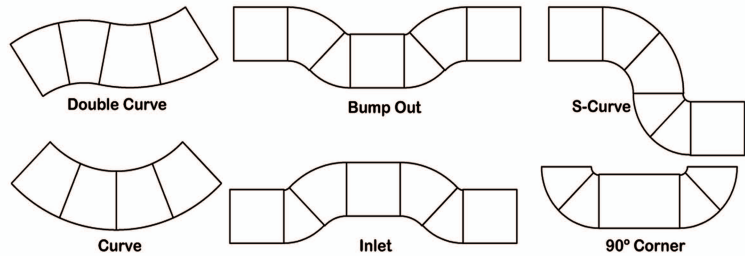
* LENGTHS INCLUDE END PANELS



Electrical & Plumbing locations



Conforms to UL Standard 471, and NSF Standard 7; Certified To CSA Standard C22.2 No. 120



Hussmann refrigerated merchandisers configured for sale for use in the United States meet or surpass the requirements of the DOE 2017 energy efficiency standards

1. For optimum performance, these models are designed for use in air-conditioned stores where temperature and humidity are maintained at 75°F and 55% R.H. Locate case away from direct sunlight, rapid air currents and extreme temperature changes. Case is designed for holding pre-chilled product only.

RPI in line with its current policy reserves the right to change or revise specifications and product design in connection with any feature of our products. Such changes do not entitle the buyer to corresponding changes improvements, additions, or replacements for equipment previously sold or shipped.

CALL TOLL FREE: 800-525-3692 (609-714-2330)

FAX: 609-714-2331 www.rpiindustries.com

220 ROUTE 70, MEDFORD, NJ 08055