

MODEL # Q3-DC (CURVED GLASS) - HFS

SPECIFICATIONS

The Q Series RQ3-DC Curved Glass boasts stylish clean lines combined with sleek design elements creating enhanced product visibility. Granite or solid surface design allows for amazing merchandising display unlike other service cases.

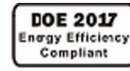


Available lengths: 50 1/4" 62 1/4" 74 1/4" 98 1/4" 122 1/4" 146 1/4"

Available depths: 46 3/8"

Available heights: 52" (VARIOUS HEIGHTS AVAILABLE)

Optional wedges: 22 1/2° (I/O) 45° (I/O) 90° (Outside Only)



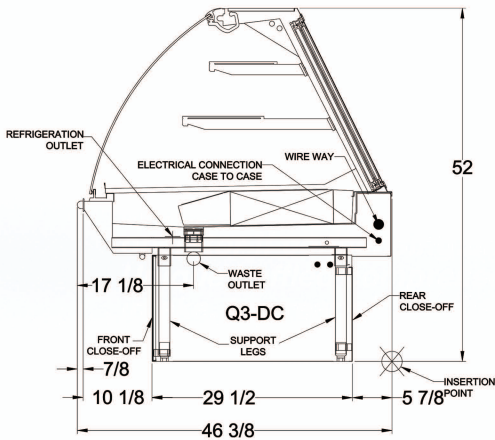
STANDARD FEATURES

- DOE 2017 Compliant
- Remote-Refrigeration
- Tempered, Lift-Up Curved Front Clear Glass
- Large Clear Glass Sliding Rear Doors
- Silver Anodized Glass Hardware
- Black Thermoplastic Front Ledge
- Clear Glass Top
- Stainless Steel Interior
- Snap-On Stainless Steel Lower Rear Panel
- Snap-On Painted Front Panel
- Black Vinyl Cart Bumper
- Double Row of High Color Definition Lamps
- Solar Digital Thermometer (Refrigerated)
- Front Glass Heated Air Sweep (Refrigerated)
- Thermostat and Suction Stop Installed (Remote)
- Please Reference Color Chart for Choice of Standard Hussmann Paint and Finish Options
- ETL Listed / ETL Sanitation Listed
- Environmentally Safe Refrigerant

OPTIONAL FEATURES

- Tempered, Non-Glare, Lift-Up Curved Front Clear Glass (Excludes 45° I/S Wedge)
- Energy Efficient LED Lighting for Shelves and Canopy
- Heresite Coated Coils
- 10" and 12" Lighted Glass or Stainless Mezzanine Shelves
- Corian®, Granite or Other Solid Surface Front and/or Top Ledge (NSF Approved Material)
- Mirrored Rear Sliding Doors
- View or Solid Ends
- Mirror Finish Stainless Steel Inside End Panels
- Stainless Steel Pedestals
- Top Mounted Scale Stand Extensions with Dedicated Scale Outlet and Cat 5 Scale Connections
- Thermoplastic Wrapping Board
- Ledge Lighting
- 15 Amp GFCI Duplex Outlets
- Liquid Line Shut-Off Hand Valve
- Special Interior and Exterior Finishes
- Custom Lengths and Options*
(Consult your Hussmann Sales Representative)

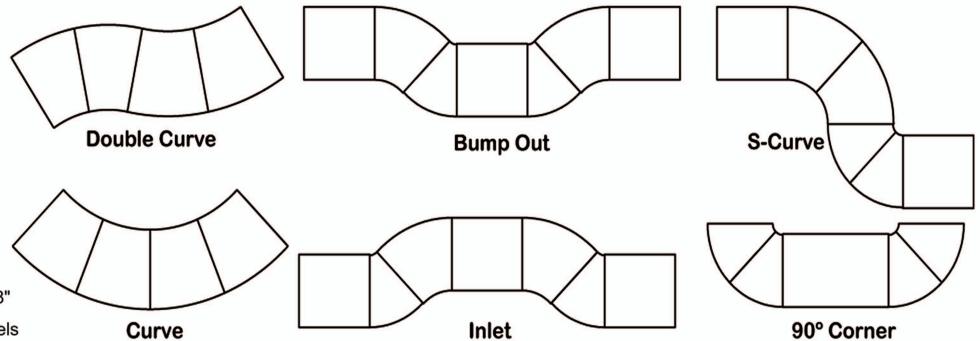
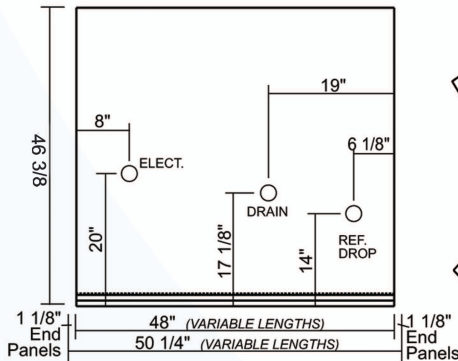
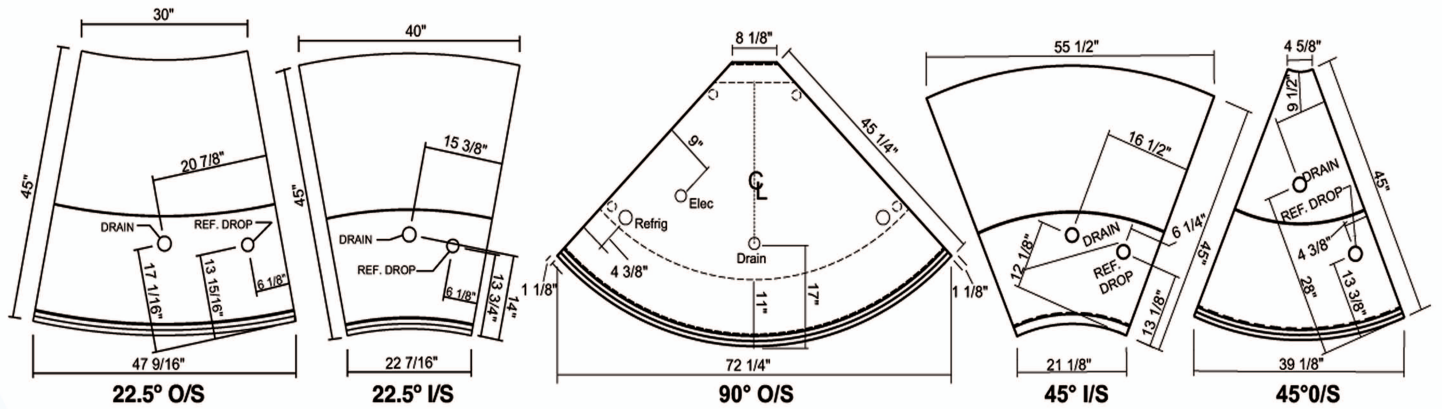
MODEL # Q3-DC (CURVED GLASS) - HFS



REMOTE - REFRIGERATED

MODEL	L*	D	H	BTU / HR	VOLTS	AMPS	EVAP. TEMP °F	PLUG	WT	REFRIG.
Q3-DC 4'-HFS	50 1/4	46 3/8	52	3380	120	15	20	Hardwire	800	Verify
Q3-DC 5'-HFS	62 1/4	46 3/8	52	4225	120	15	20	Hardwire	900	Verify
Q3-DC 6'-HFS	74 1/4	46 3/8	52	5070	120	15	20	Hardwire	1000	Verify
Q3-DC 8'-HFS	98 1/4	46 3/8	52	6760	120	15	20	Hardwire	1200	Verify
Q3-DC 10'-HFS	122 1/4	46 3/8	52	8450	120	15	20	Hardwire	1400	Verify
Q3-DC 12'-HFS	146 1/4	46 3/8	52	10140	120	15	20	Hardwire	1500	Verify

* LENGTHS INCLUDE END PANELS



Electrical & Plumbing locations



Conforms to UL Standard 471, and NSF Standard 7; Certified To CSA Standard C22.2 No. 120



Hussmann refrigerated merchandisers configured for sale for use in the United States meet or surpass the requirements of the DOE 2017 energy efficiency standards

1. For optimum performance, these models are designed for use in air-conditioned stores where temperature and humidity are maintained at 75°F and 55% R.H. Locate case away from direct sunlight, rapid air currents and extreme temperature changes. Case is designed for holding pre-chilled product only.

RPI in line with its current policy reserves the right to change or revise specifications and product design in connection with any feature of our products. Such changes do not entitle the buyer to corresponding changes improvements, additions, or replacements for equipment previously sold or shipped.

CALL TOLL FREE: 800-525-3692 (609-714-2330)

FAX: 609-714-2331 www.rpiindustries.com

220 ROUTE 70, MEDFORD, NJ 08055