

## MODEL # Q3-FS (STRAIGHT GLASS) - HFS

### SPECIFICATIONS

The Q Series Q3-FS Straight Glass boasts enhanced product visibility with solid surface faces and unobstructed product view, along with a large rear door opening and steep angle allowing for ease of access to product. This unique addition to the Q3 series specializes in the display of both meat and fish products, and is an excellent choice for satisfying the customers foot print!



Available lengths:  50 1/4"  74 1/4"  98 1/4"  146 1/4"

Available depths:  45 3/8"

Available heights:  52" (VARIOUS HEIGHTS AVAILABLE)

Optional wedge  2 1/2° (I/O)



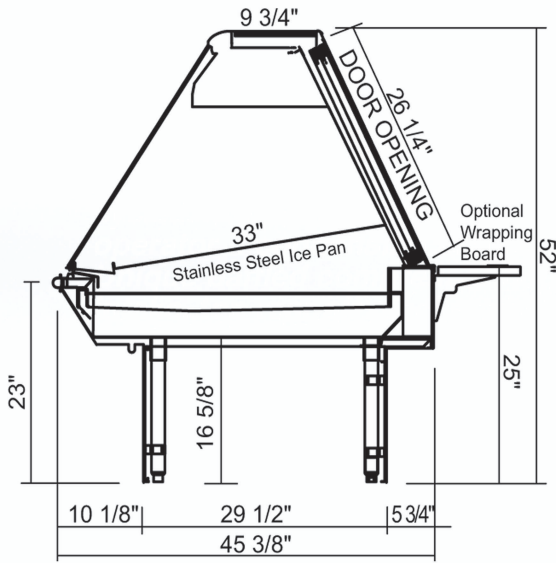
### STANDARD FEATURES

- DOE 2017 Compliant
- Remote-Refrigeration
- Tempered, Lift-Up Straight Front Clear Glass
- Large Clear Glass Sliding Rear Doors
- Gravity/Conduction Coil (Meat)
- Gravity Coil, Ice Pans with Stops (Fish)
- Stainless Steel Interior Pans
- Adjustable Deck for Flexible Merchandising
- Adjustable Stainless Steel Legs
- Stainless Steel Top Cover
- Solar Digital Thermometer
- Front Glass Air Sweep (Meat)
- Front glass heated air sweep (Fish)
- 2 Rows of High Color Definition Lamps
- Electronic Ballast
- Thermostat & Suction Stop Installed
- Black Vinyl Cart Bumper
- Please Reference Color Chart for Choice of Standard Hussmann Paint and Finish Options
- ETL Listed / ETL Sanitation Listed
- Environmentally Safe Refrigerant

### OPTIONAL FEATURES

- Tempered, Non-Glare, Lift-Up Curved Front Clear Glass
- Automatic or Manual Water Flush  
(Reduces the Need for Manual Case Cleaning)
- Corian®, Granite or Other Solid Surface Front and/or Top Ledge (NSF Approved Material)
- Mirrored Rear Doors
- Thermoplastic Wrapping Boards with Adjustable Riser
- View or Solid Ends
- Mirror Bright Stainless Steel Inside End Panels
- Stainless Steel Pedestals
- Top Mounted Scale Stand Extensions with Dedicated Scale Outlet and Cat 5 Scale Connections
- Ledge Lighting
- Liquid Line Shut-Off Hand Valve
- 15 Amp GFCI Duplex Outlet
- Special Interior and Exterior Finishes
- Custom Trim and Decor
- Custom Lengths and Options\*  
(Consult Your Hussmann Sales Representative)

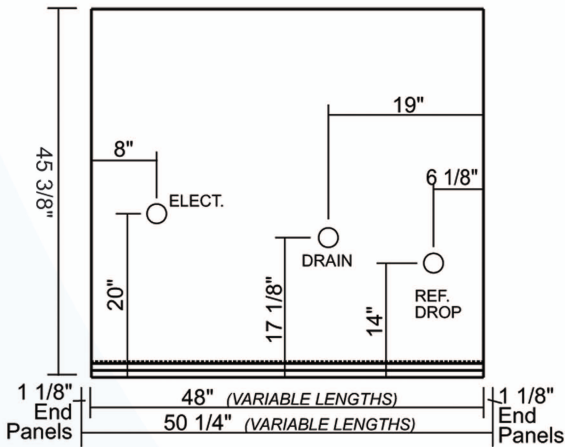
## MODEL # Q3-FS (STRAIGHT GLASS) - HFS



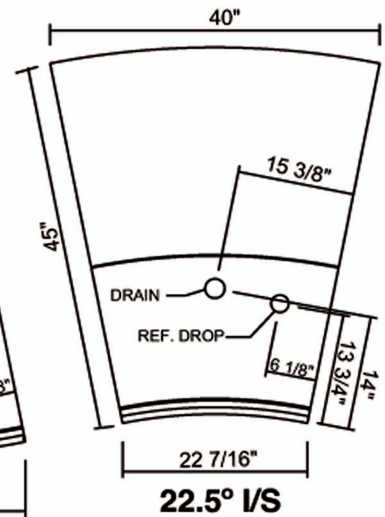
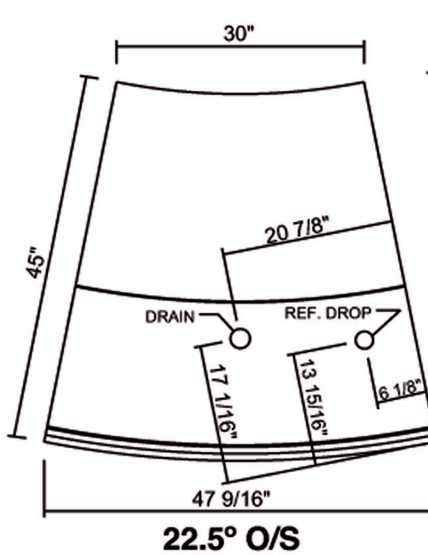
### REMOTE - REFRIGERATED

MODEL	L*	D	H	BTU / HR	VOLTS	AMPS	EVAP. TEMP °F	PLUG	WT	REFRIG.
Q3-FS 4'-HFS	50 1/4	45 3/8	52	1444	120	15	20	Hardwire	800	Verify
Q3-FS 6'-HFS	74 1/4	45 3/8	52	2166	120	15	20	Hardwire	1000	Verify
Q3-FS 8'-HFS	98 1/4	45 3/8	52	2888	120	15	20	Hardwire	1200	Verify
Q3-FS 12'-HFS	146 1/4	45 3/8	52	4332	120	15	20	Hardwire	1500	Verify

\* LENGTHS INCLUDE END PANELS  
Q3-FS AVAILABLE IN VARIABLE LENGTHS



**Electrical & Plumbing locations**



Conforms to UL Standard 471, and NSF Standard 7; Certified To CSA Standard C22.2 No.120



Hussmann refrigerated merchandisers configured for sale for use in the United States meet or surpass the requirements of the DOE 2017 energy efficiency standards

1. For optimum performance, these models are designed for use in air-conditioned stores where temperature and humidity are maintained at 75°F and 55% R.H. Locate case away from direct sunlight, rapid air currents and extreme temperature changes. Case is designed for holding pre-chilled product only.

RPI in line with its current policy reserves the right to change or revise specifications and product design in connection with any feature of our products. Such changes do not entitle the buyer to corresponding changes improvements, additions, or replacements for equipment previously sold or shipped.

CALL TOLL FREE: 800-525-3692 (609-714-2330)  
FAX: 609-714-2331 [www.rpiindustries.com](http://www.rpiindustries.com)  
220 ROUTE 70, MEDFORD, NJ 08055