

MODEL # Q3-SS - HFS

SPECIFICATIONS

The Q Series Q3-SS features a new 0° to 15° tilt shelf system, and allows for multiple rows, optional step displays, and other flexible configurations. Solid surface front ledge and top add an elegant touch, and the LED lighting provides excellent product illumination.



Available lengths: 50 1/4" 62 1/4" 74 1/4" 98 1/4" 122 1/4" 146 1/4"

Available depths: 45"

Available heights: 52"

Optional wedges: 22 1/2° (I/O) 45° (I/O) 90° (Outside Only)



STANDARD FEATURES

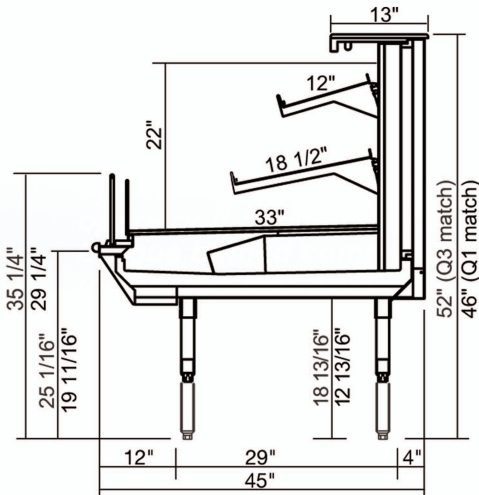
- DOE 2017 Compliant
- Self-Contained Refrigeration
- Remote-Refrigeration
- 1/2" Plexiglass Front
- Black Thermoplastic Front Ledge
- Snap-On Stainless Steel Lower Rear Panel
- Painted Front Panel
- Adjustable Stainless Steel Legs
- Straight Tempered Glass Sneeze Guard
- Black Metal Deck Pans and Internal Back Panel (Hand Removable)
- T-5 Canopy Light
- Solar Digital Thermometer
- 1" Black Vinyl Cart Bumper
- Please Reference Color Chart for Choice of Standard Hussmann Paint and Finish Options
- ETL Listed / ETL Sanitation Listed
- Environmentally Safe Refrigerant

OPTIONAL FEATURES

- LED Canopy and Shelf Lighting
- Black Thermal Plastic, Corian®, Granite or Other Solid Surface Front Ledge or Food Counter Prep Top (NSF 7 Approved Material)
- 12" and 18" Adjustable Shelves (Level and 15° Tilt)
- Energy Efficient LED Case Lighting for Shelves and Canopy
- Stainless Steel Interior
- View or Solid End Panels
- Mirror Bright Interior End Panels
- Liquid Line Shut-Off Hand Valve
- Ledge Lighting
- Thermostat (Remote)
- Energy Efficient Fan Motors
- Custom Trim and Décor
- Custom Lengths and Options (Consult your Hussmann Sales Representative)

MODEL # Q3-SS - HFS

SELF - CONTAINED

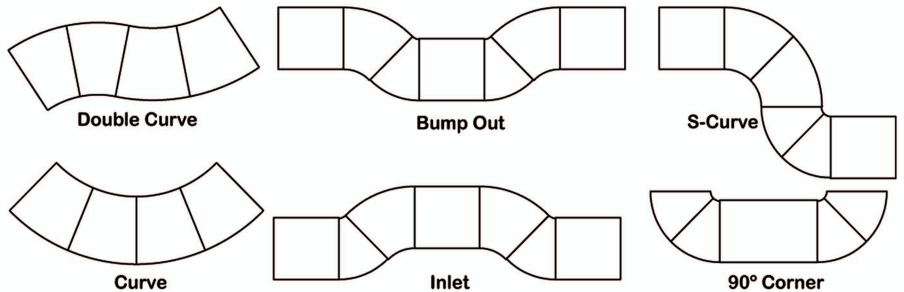
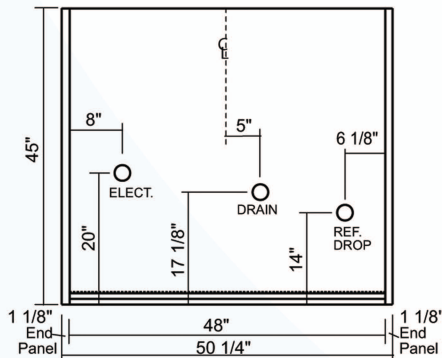
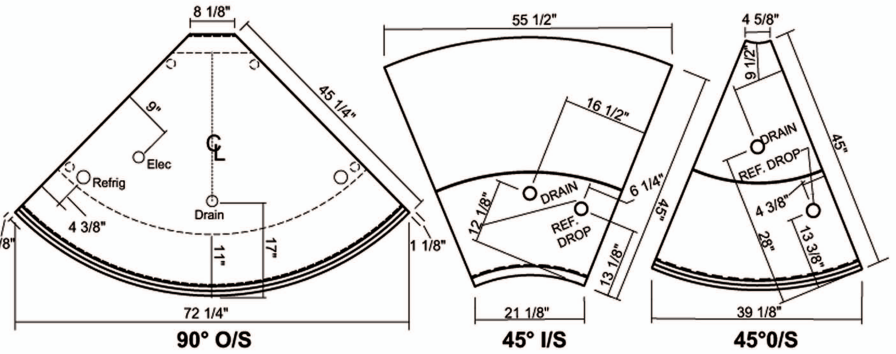
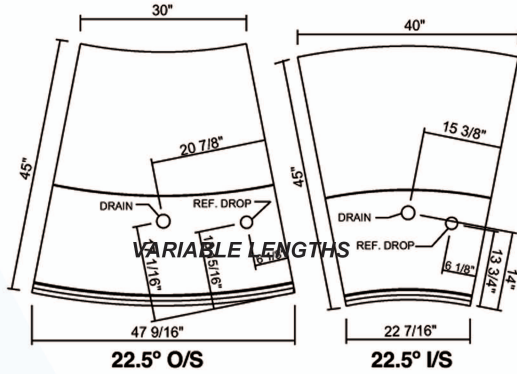


* LENGTHS INCLUDE END PANELS

MODEL	L*	D	H	HP	VOLTS	AMPS	PLUG	WT	REFRIG.
Q3-SS 4'-HFS	50 1/4	45	52	1/2	120	15	5-15P	900	404A
Q3-SS 5'-HFS	62 1/4	45	52	3/4	120	15	5-15P	1000	404A
Q3-SS 6'-HFS	74 1/4	45	52	3/4	120	15	5-15P	1100	404A
Q3-SS 8'-HFS	98 1/4	45	52	3/4	120	15	5-15P	1300	404A

REMOTE - REFRIGERATED

MODEL	L*	D	H	BTU/HR	VOLTS	AMPS	EVAP. TEMP °F	PLUG	WT	REFRIG.
Q3-SS 4'-HFS	50 1/4	45	52	4164	120	15	20	Hardwire	800	Verify
Q3-SS 5'-HFS	62 1/4	45	52	5205	120	15	20	Hardwire	900	Verify
Q3-SS 6'-HFS	74 1/4	45	52	6246	120	15	20	Hardwire	1000	Verify
Q3-SS 8'-HFS	98 1/4	45	52	8328	120	15	20	Hardwire	1200	Verify
Q3-SS 10'-HFS	122 1/4	45	52	10410	120	15	20	Hardwire	1300	Verify
Q3-SS 12'-HFS	144 1/4	45	52	12492	120	15	20	Hardwire	1400	Verify



Conforms to UL Standard 471, and NSF Standard 7; Certified To CSA Standard C22.2 No. 120



Electrical & Plumbing locations

Hussmann refrigerated merchandisers configured for sale for use in the United States meet or surpass the requirements of the DOE 2017 energy efficiency standards

1. For optimum performance, these models are designed for use in air-conditioned stores where temperature and humidity are maintained at 75°F and 55% R.H. Locate case away from direct sunlight, rapid air currents and extreme temperature changes. Case is designed for holding pre-chilled product only.

RPI in line with its current policy reserves the right to change or revise specifications and product design in connection with any feature of our products. Such changes do not entitle the buyer to corresponding changes improvements, additions, or replacements for equipment previously sold or shipped.

CALL TOLL FREE: 800-525-3692 (609-714-2330)

FAX: 609-714-2331 www.rpiindustries.com

220 ROUTE 70, MEDFORD, NJ 08055