

## MODEL # R3HV-WB - HFS

### SPECIFICATIONS

The Specialty Series R3HV-WB, allows for merchandising of the service top, with shelves, pedestals or steps to meet your display objectives. This design also allows for maximum self-service and service product areas to the footprint. Merchandise the self services section, with or without a shelf to increase product facings or pack-out. Unit available with curved or straight glass.



Available lengths:  50 1/4"  74 1/4"  98 1/4"  146 1/4"

Available depths:  54 3/8"

Available heights:  55"



### STANDARD FEATURES

- DOE 2017 Compliant
- Remote Refrigeration
- Non-Glare Lift-Up Glass (Standard R3, Optional for CR3)
- Heated Air Sweep (Service)
- Adjustable Legs
- Quick Snap-In T5 Lighting
- Black Interior (Self-Service)
- Black Interior (Service)
- Snap-On, Stainless Steel Lower Rear Panel
- Thermostat/Suction Stop Solenoid (Service)
- EPR – Refrigerated Self-Service
- Digital Thermometers In Each Refrigerated Section
- 15 Amp Scale Outlet
- RJ45 Communication Outlet
- Dry Rear Storage
- Please Reference Color Chart for Choice of Standard Hussmann Paint and Finish Options
- ETL Listed / ETL Sanitation Listed
- Environmentally Safe Refrigerant

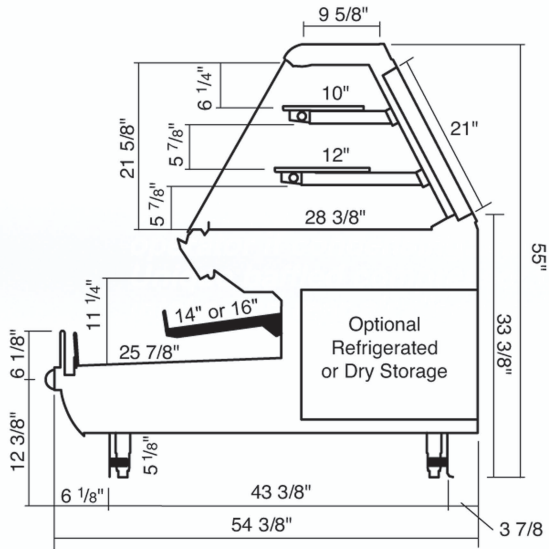
### OPTIONAL FEATURES

- LED Canopy and Shelf Lights
- 10" Lighted Shelves - Black or Glass Shelves (Service)
- Easily Movable 14" or 16" Shelves with Adjustable Angle from 0° to 15° with Recessed Plugs (Self-Service)
- Refrigerated Rear Storage with Additional Coil
- Thermostat and Liquid Line Solenoid
- Stainless Steel Interior (Self-Service)
- Thermoplastic Wrapping Boards
- Scale Shelf Extension
- Increased Self-Service Capacity ("Plus Heights")
- 2" or 4" (Allows 2nd Row of 12" or 14" Shelves)
- Solid End Panels
- View And Panels
- Paper Cutter
- PTM
- Additional Outlet
- Mirrored Rear Door
- Stainless Steel Top In Lieu of Glass
- Custom Lengths and Options\*  
(Consult Your Hussmann Sales Representative)

## MODEL # R3HV-WB - HFS

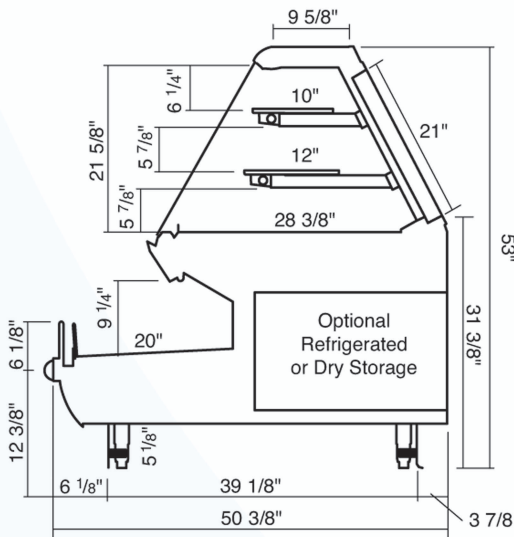
## REMOTE - REFRIGERATED

MODEL	L*	D	H	BTU/HR	VOLTS	AMPS	EVAP. TEMP °F	PLUG	WT	REFRIG.
R3HV-WB4-HFS	50 1/4	54 3/8	55	6118	115	15	20 TOP / FRONT	Hardwire	1100	Verify
R3HV-WB6-HFS	74 1/4	54 3/8	55	9177	115	15	20 TOP / FRONT	Hardwire	1400	Verify
R3HV-WB8-HFS	98 1/4	54 3/8	55	12236	115	15	20 TOP / FRONT	Hardwire	1600	Verify
R3HV-WB12-HFS	146 1/4	54 3/8	55	18354	115	15	20 TOP / FRONT	Hardwire	2000	Verify



### R3HV-WB

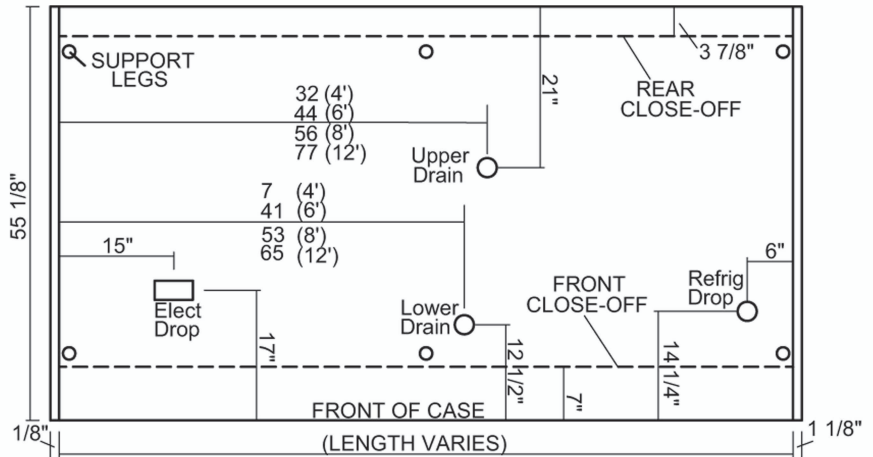
Bakery Straight Glass High Volume Service Dome,  
Multi-Deck Self Service Deli,  
Optional Shelves and Storage



### R3HV-NB

Bakery High Volume Service Dome, Single Deck Self-Service,  
with Straight Glass,  
Optional Shelves and Storage

\* LENGTHS INCLUDE END PANELS



### Electrical & Plumbing locations



Conforms to UL Standard 471,  
and NSF Standard 7; Certified  
To CSA Standard C22.2 No. 120



Hussmann refrigerated merchandisers configured for sale for use in the United States meet or surpass the requirements of the DOE 2017 energy efficiency standards

1. For optimum performance, these models are designed for use in air-conditioned stores where temperature and humidity are maintained at 75°F and 55% R.H. Locate case away from direct sunlight, rapid air currents and extreme temperature changes. Case is designed for holding pre-chilled product only.

RPI in line with its current policy reserves the right to change or revise specifications and product design in connection with any feature of our products. Such changes do not entitle the buyer to corresponding changes improvements, additions, or replacements for equipment previously sold or shipped.

CALL TOLL FREE: 800-525-3692 (609-714-2330)

FAX: 609-714-2331 [www.rpiindustries.com](http://www.rpiindustries.com)

220 ROUTE 70, MEDFORD, NJ 08055