

MODEL # RI1 - HFS

SPECIFICATIONS

The Specialty Series RI1 features a centered large single deck display, creating an excellent easy access merchandising platform with every product in full view. The curved glass on sides and ends creates an attractive, smooth contour around the island. The RI1 places every item at center stage ... within easy reach and with unobstructed visibility. Use the RI1 to place high margin items on a display that really attracts attention. To accent your creative product display, the RI1 comes with a non-refrigerated top area that can be used for products and décor items that complement your in-case merchandising.



Available lengths: 122 1/4" 146 1/4" 170 1/4" 194 1/4"

Available depths: 72"

Available heights: 44 3/8"



STANDARD FEATURES

- DOE 2017 Compliant
- Remote Refrigeration
- All Metal Construction
- Hussmann Standard Paint & Bumper Colors
(Consult Factory for Available Colors)
- (1) Row Canopy Lighting
- 13 5/8" Non-Refrigerated Top Display
- 27" Base Deck Display
- 5 7/8" Curved Plexiglass Perimeter
- 3" High Plexi Product Stop
- Center Air Discharge
- Hardwire Direct
- Listed in Accordance with UL 471
and NSF 7 Standards
- Floor Drain Required

OPTIONAL FEATURES

- Stainless Steel Exterior Finish
- Hussmann Optional Colors
(Consult Factory for Available Colors)
- 9 7/8" Curved Plexiglass Perimeter
- 6" High Plexi Product Stop

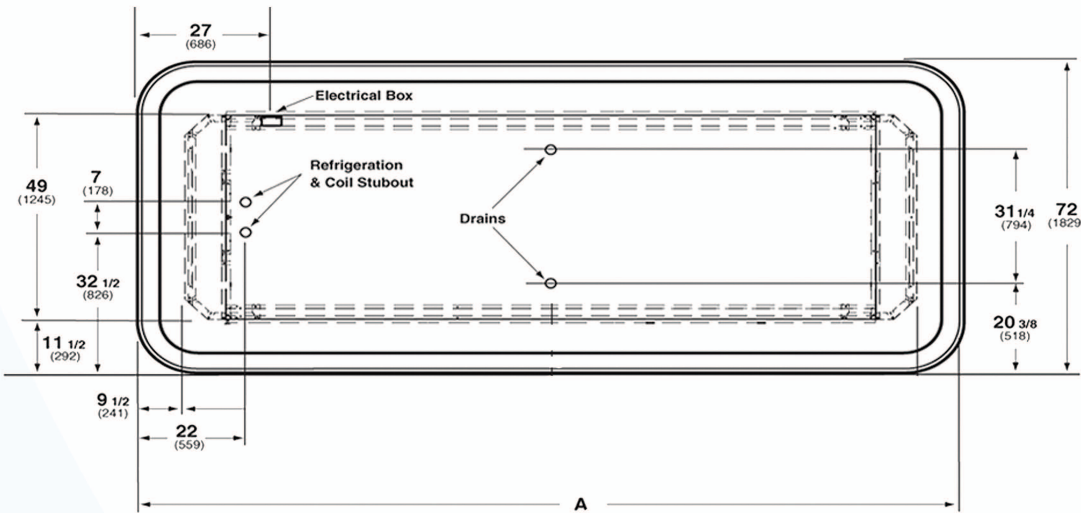
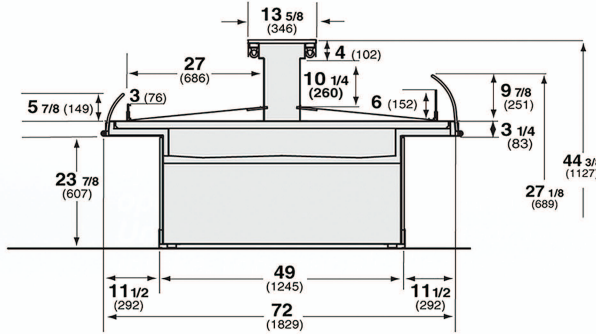
MODEL # RI1 - HFS

REMOTE - REFRIGERATED

MODEL	L*	D	H	BTU / HR	VOLTS	AMPS	EVAP. TEMP °F	PLUG	WT	REFRIG.
RI1 8-HFS	98 1/4"	72"	44 3/8"	10560	120	1.2	15	Hardwire	1100	Verify
RI1 12-HFS	146 1/4"	72"	44 3/8"	15840	120	2.4	15	Hardwire	1400	Verify
RI1 14-HFS	170 1/4"	72"	44 3/8"	18480	120	3.0	15	Hardwire	1500	Verify
RI1 16-HFS	194 1/4"	72"	44 3/8"	21120	120	3.6	15	Hardwire	1600	Verify

* LENGTHS INCLUDE END PANELS

Note: Please use Hussmann's technical data sheets to get precise dimensions for all store layout purposes.



Electrical & Plumbing locations

Dimension	A
8 FT CASE	96 (2439)
12 FT CASE	144 (3658)
14 FT CASE	168 (4268)
16 FT CASE	192 (4878)



Conforms to UL Standard 471,
and NSF Standard 7; Certified
To CSA Standard C22.2 No.120



Hussmann refrigerated merchandisers configured for sale for use in the United States meet or surpass the requirements of the DOE 2017 energy efficiency standards

1. For optimum performance, these models are designed for use in air-conditioned stores where temperature and humidity are maintained at 75°F and 55% R.H. Locate case away from direct sunlight, rapid air currents and extreme temperature changes. Case is designed for holding pre-chilled product only.

RPI in line with its current policy reserves the right to change or revise specifications and product design in connection with any feature of our products. Such changes do not entitle the buyer to corresponding changes improvements, additions, or replacements for equipment previously sold or shipped.

CALL TOLL FREE: 800-525-3692 (609-714-2330)

FAX: 609-714-2331 www.rpiindustries.com

220 ROUTE 70, MEDFORD, NJ 08055