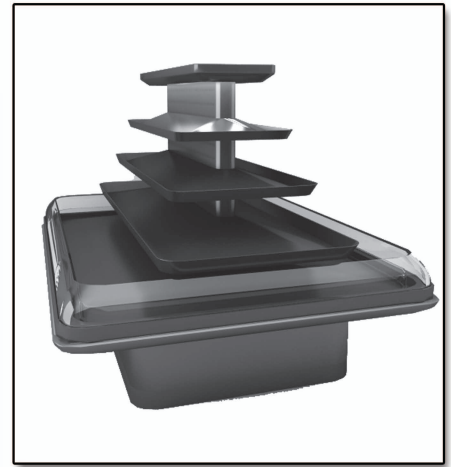


## MODEL # RI3 - HFS

### SPECIFICATIONS

The Specialty Series RI3 brings an elegant exterior design to the island areas of your specialty departments. The curved glass contours and large top display area create an excellent platform for your merchandising artistry ... helping you attract customers by enhancing the visual appeal. This self-service, multi-deck island is perfect for increasing impulse purchases of your specialty/deli products. The RI3 merchandising format attracts attention and places products in the middle of your footprint ... where they can't be missed!



Available lengths:  98 1/4"  122 1/4"  146 1/4"  170 1/4"  194 1/4"

Available depths:  72"

Available heights:  51 3/4"



UNIT SHOWN WITH OPTIONAL  
UPPER SHELVES

### STANDARD FEATURES

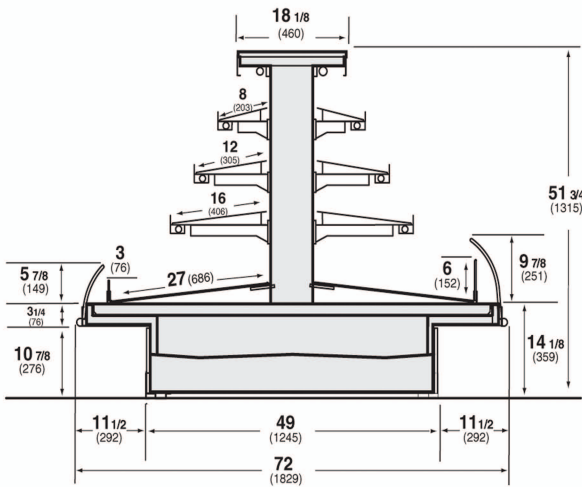
- DOE 2017 Compliant
- Remote Refrigeration
- All Metal Construction
- Hussmann Standard Paint & Bumper Colors  
(Consult Factory for Available Colors)
- (1) Row Canopy Lighting
- 18 1/8" Non-Refrigerated Top Display
- 27" Base Deck Display
- 5 7/8" Curved Plexiglass Perimeter
- 3" High Plexi Product Stop
- Center Air Discharge
- Hardwire Direct
- Listed in Accordance with UL 471  
and NSF 7 Standards
- Floor Drain Required

### OPTIONAL FEATURES

- Stainless Steel Exterior Finish
- Hussmann Optional Colors  
(Consult Factory for Available Colors)
- Up to (3) Rows of Optional Shelves
  - 8" Angled Shelf
  - 12" Angled Shelf
  - 16" Angled Shelf
- Lighting Under Shelves  
(Consult Factory for All Available Options)
- 9 7/8" Curved Plexiglass Perimeter
- 6" High Plexi Product Stop

## MODEL # RI3 - HFS

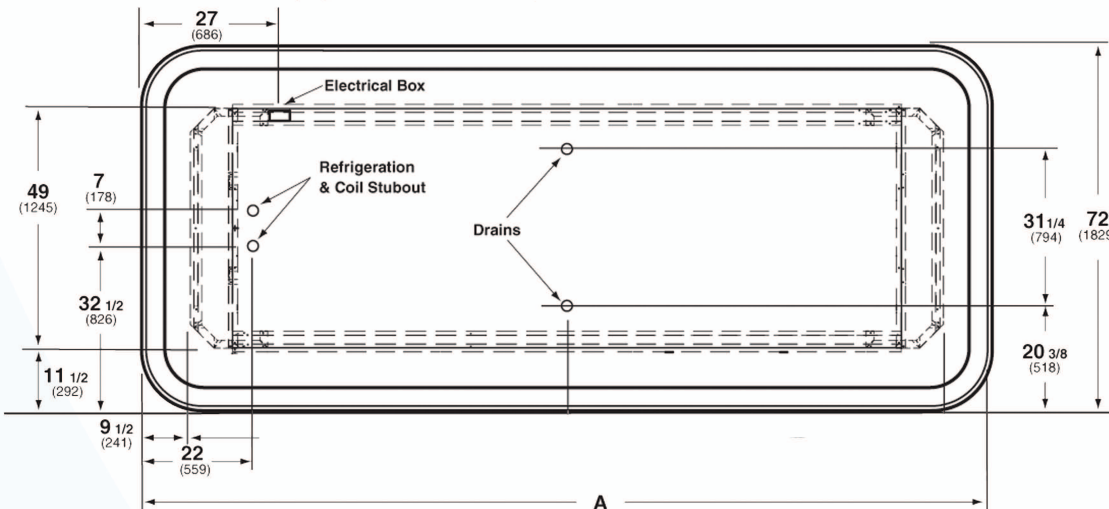
## REMOTE - REFRIGERATED



MODEL	L*	D	H	BTU/HR	VOLTS	AMPS	EVAP. TEMP °F	PLUG	WT	REFRIG.
RI3 8'-HFS	98 1/4	72	51 3/4	1898	120	1.8	20	Hardwire	1300	Verify
RI3 10'-HFS	122 1/4	72	51 3/4	1898	120	2.4	20	Hardwire	1500	Verify
RI3 12'-HFS	146 1/4	72	51 3/4	1898	120	3.0	20	Hardwire	1700	Verify
RI3 14'-HFS	170 1/4	72	51 3/4	1898	120	4.2	20	Hardwire	1900	Verify
RI3 16'-HFS	194 1/4	72	51 3/4	1898	120	4.8	20	Hardwire	2100	Verify

\* LENGTHS INCLUDE END PANELS

**Note: Please use Hussmann's technical data sheets to get precise dimensions for all store layout purposes.**



### Electrical & Plumbing locations

Dimension	A
8 FT CASE	96 (2439)
10 FT CASE	120 (3049)
12 FT CASE	144 (3658)
14 FT CASE	168 (4268)
16 FT CASE	192 (4878)



Conforms to UL Standard 471,  
 and NSF Standard 7; Certified  
 To CSA Standard C22.2 No.120



**Hussmann refrigerated merchandisers configured for sale for use in the United States meet or surpass the requirements of the DOE 2017 energy efficiency standards**

1. For optimum performance, these models are designed for use in air-conditioned stores where temperature and humidity are maintained at 75°F and 55% R.H. Locate case away from direct sunlight, rapid air currents and extreme temperature changes. Case is designed for holding pre-chilled product only.

RPI in line with its current policy reserves the right to change or revise specifications and product design in connection with any feature of our products. Such changes do not entitle the buyer to corresponding changes improvements, additions, or replacements for equipment previously sold or shipped.

CALL TOLL FREE: 800-525-3692 (609-714-2330)

FAX: 609-714-2331 [www.rpiindustries.com](http://www.rpiindustries.com)

220 ROUTE 70, MEDFORD, NJ 08055