

VIENNA DRY DISPLAY CURVED

PROJECT: _____

ITEM: _____ QUANTITY: _____

MODEL # VIDD-CV CURVED GLASS



SPECIFICATIONS

The Vienna Series VIDD-CV is a non-refrigerated full service display merchandiser designed for counter-top application. Unit features curved tilt-open front glass for ease of cleaning and see through hinged rear doors.

Can complete a dual temperature line-up next to our VICD-CV cold display models.

Available lengths: 31 1/2" 44 1/4" 57 1/8" 69 7/8"

Available depths: 27 3/8"

Available heights: 20 7/8" 27 1/2" 34 1/4"



Conforms to UL Standard 471, and NSF Standard 7; Certified To CSA Standard C22.2 No.120

STANDARD FEATURES

- Curved Glass Profile
- 304 Stainless Steel Exterior
- Tempered Tilt-Out Front Glass
- Removable Tempered Glass Side Panels
- Hinged Rear See-Through Access Doors
- Energy Efficient LED Lighting
- Adjustable / Tilttable Tempered Glass Shelves with LED Lights
- 1 Year Parts and Labor Warranty

OPTIONAL FEATURES

- Mirrored Rear Access Doors
- Sliding Rear Access Doors
- Rear Dook Locks
- Powder Coat Finish
- Open front for Grab & Go Application

MODEL	L	D	H	SHELVES	VOLT	AMPS	PLUG	WT
VIDD2-20-R-CV	31 1/2	27 3/8	20 7/8	1	115	1.0	5-15P	220
VIDD3-20-R-CV	44 1/4	27 3/8	20 7/8	1	115	1.0	5-15P	264
VIDD4-20-R-CV	57 1/8	27 3/8	20 7/8	1	115	1.0	5-15P	297
VIDD5-20-R-CV	69 7/8	27 3/8	20 7/8	1	115	1.0	5-15P	330
VIDD2-27-R-CV	31 1/2	27 3/8	27 1/2	2	115	1.0	5-15P	264
VIDD3-27-R-CV	44 1/4	27 3/8	27 1/2	2	115	1.0	5-15P	308
VIDD4-27-R-CV	57 1/8	27 3/8	27 1/2	2	115	1.0	5-15P	341
VIDD5-27-R-CV	69 7/8	27 3/8	27 1/2	2	115	1.0	5-15P	374
VIDD2-34-R-CV	31 1/2	27 3/8	34 1/4	3	115	1.0	5-15P	308
VIDD3-34-R-CV	44 1/4	27 3/8	34 1/4	3	115	1.0	5-15P	352
VIDD4-34-R-CV	57 1/8	27 3/8	34 1/4	3	115	1.0	5-15P	385
VIDD5-34-R-CV	69 7/8	27 3/8	34 1/4	3	115	1.0	5-15P	418



CALL TOLL FREE: 800-525-3692 (609-714-2330)

FAX: 609-714-2331 www.rpiindustries.com

220 ROUTE 70, MEDFORD, NJ 08055

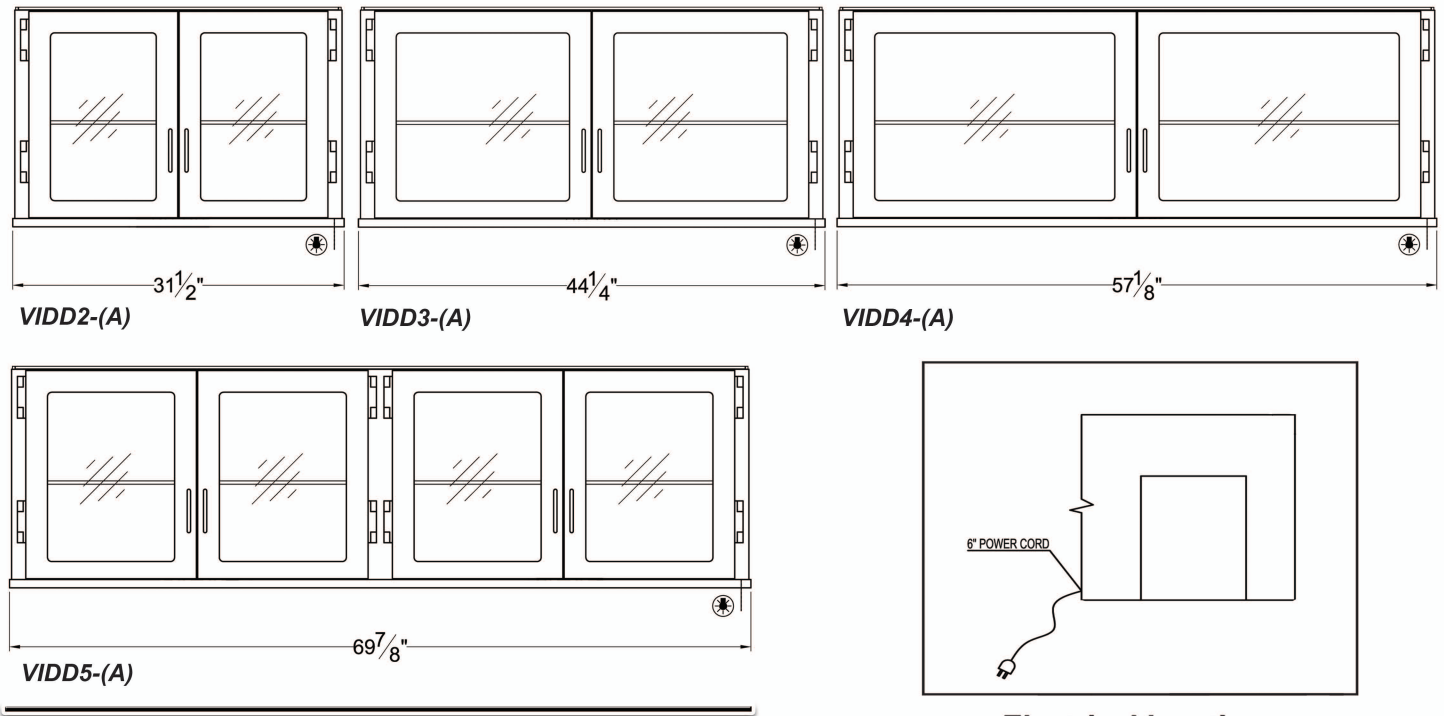
RPI INDUSTRIES, INC. v8_23_17

VIENNA DRY DISPLAY CURVED

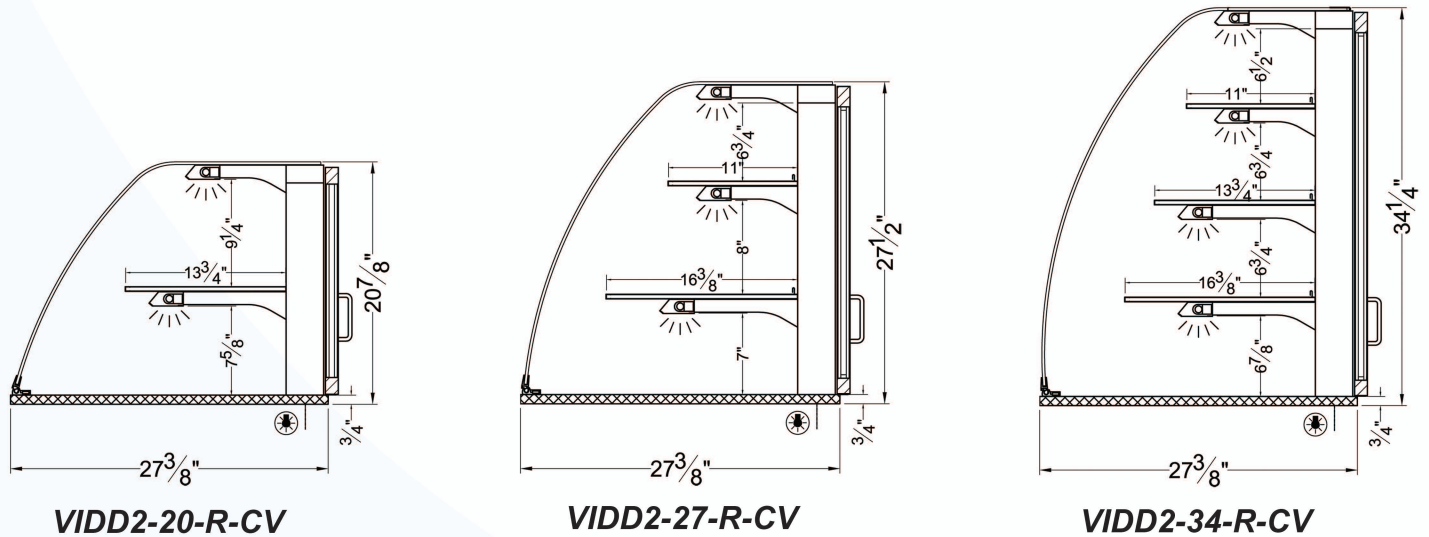
PROJECT: _____

TOLL FREE: 800-525-3692

MODEL # VIDD-CV CURVED GLASS



= Cable for lighting



Any adverse field conditions will void warranty.

RPI in line with it's policy to continually improve it's product reserves the right to change materials and specifications without notice.

CALL TOLL FREE: 800-525-3692 (609-714-2330)

FAX: 609-714-2331 www.rpiindustries.com

220 ROUTE 70, MEDFORD, NJ 08055

RPI INDUSTRIES, INC. v8_23_17