

VIENNA DRY DISPLAY SLANTED

PROJECT: _____

ITEM: _____ QUANTITY: _____

MODEL # VIDD-SL SLANTED GLASS



SPECIFICATIONS

The Vienna Series VIDD-SL is a non-refrigerated full service display merchandiser designed for counter-top application. Unit features slanted tilt-open front glass for ease of cleaning and see through hinged rear doors.

Can complete a dual temperature line-up next to our VICD-SL cold display models.

Available lengths: 31 1/2" 44 1/4" 57 1/8" 69 7/8"

Available depths: 27 3/8"

Available heights: 20 7/8" 27 1/2" 34 1/4"



Conforms to UL Standard 471, and NSF Standard 7; Certified To CSA Standard C22.2 No.120

STANDARD FEATURES

- Slanted Glass Profile
- 304 Stainless Steel Exterior
- Tempered Tilt-Out Front Glass
- Removable Tempered Glass Side Panels
- Hinged Rear See-Through Access Doors
- Energy Efficient LED Lighting
- Adjustable / Tilttable Tempered Glass Shelves with LED Lights
- 1 Year Parts and Labor Warranty

OPTIONAL FEATURES

- Mirrored Rear Access Doors
- Sliding Rear Access Doors
- Rear Dook Locks
- Powder Coat Finish
- Open front for Grab & Go Application

| MODEL | L | D | H | SHELVES | VOLT | AMPS | PLUG | WT |
|---------------|--------|--------|--------|---------|------|------|-------|-----|
| VIDD2-20-R-SL | 31 1/2 | 27 3/8 | 20 7/8 | 1 | 115 | 1.0 | 5-15P | 220 |
| VIDD3-20-R-SL | 44 1/4 | 27 3/8 | 20 7/8 | 1 | 115 | 1.0 | 5-15P | 264 |
| VIDD4-20-R-SL | 57 1/8 | 27 3/8 | 20 7/8 | 1 | 115 | 1.0 | 5-15P | 297 |
| VIDD5-20-R-SL | 69 7/8 | 27 3/8 | 20 7/8 | 1 | 115 | 1.0 | 5-15P | 330 |
| VIDD2-27-R-SL | 31 1/2 | 27 3/8 | 27 1/2 | 2 | 115 | 1.0 | 5-15P | 264 |
| VIDD3-27-R-SL | 44 1/4 | 27 3/8 | 27 1/2 | 2 | 115 | 1.0 | 5-15P | 308 |
| VIDD4-27-R-SL | 57 1/8 | 27 3/8 | 27 1/2 | 2 | 115 | 1.0 | 5-15P | 341 |
| VIDD5-27-R-SL | 69 7/8 | 27 3/8 | 27 1/2 | 2 | 115 | 1.0 | 5-15P | 374 |
| VIDD2-34-R-SL | 31 1/2 | 27 3/8 | 34 1/4 | 3 | 115 | 1.0 | 5-15P | 308 |
| VIDD3-34-R-SL | 44 1/4 | 27 3/8 | 34 1/4 | 3 | 115 | 1.0 | 5-15P | 352 |
| VIDD4-34-R-SL | 57 1/8 | 27 3/8 | 34 1/4 | 3 | 115 | 1.0 | 5-15P | 385 |
| VIDD5-34-R-SL | 69 7/8 | 27 3/8 | 34 1/4 | 3 | 115 | 1.0 | 5-15P | 418 |



CALL TOLL FREE: 800-525-3692 (609-714-2330)

FAX: 609-714-2331 www.rpiindustries.com

220 ROUTE 70, MEDFORD, NJ 08055

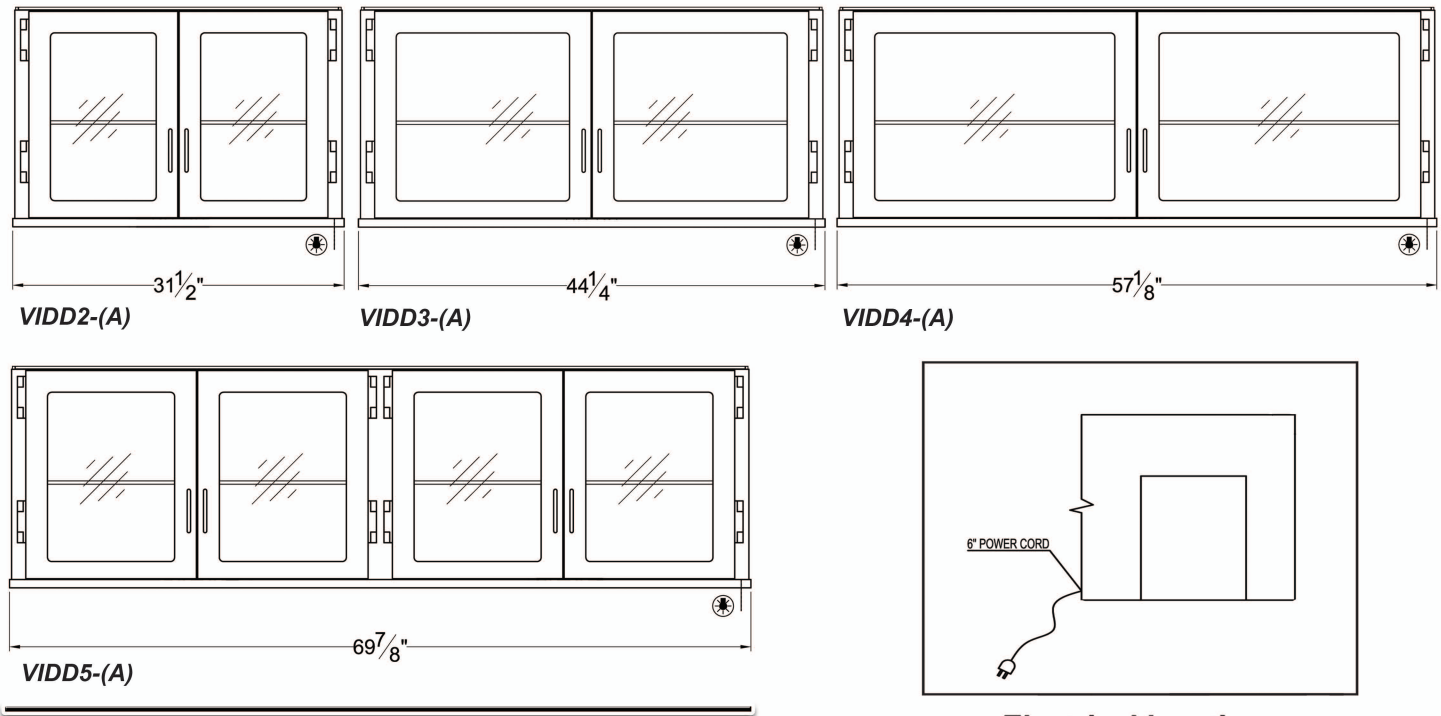
RPI INDUSTRIES, INC. v8_23_17

VIENNA DRY DISPLAY SLANTED


PROJECT: _____

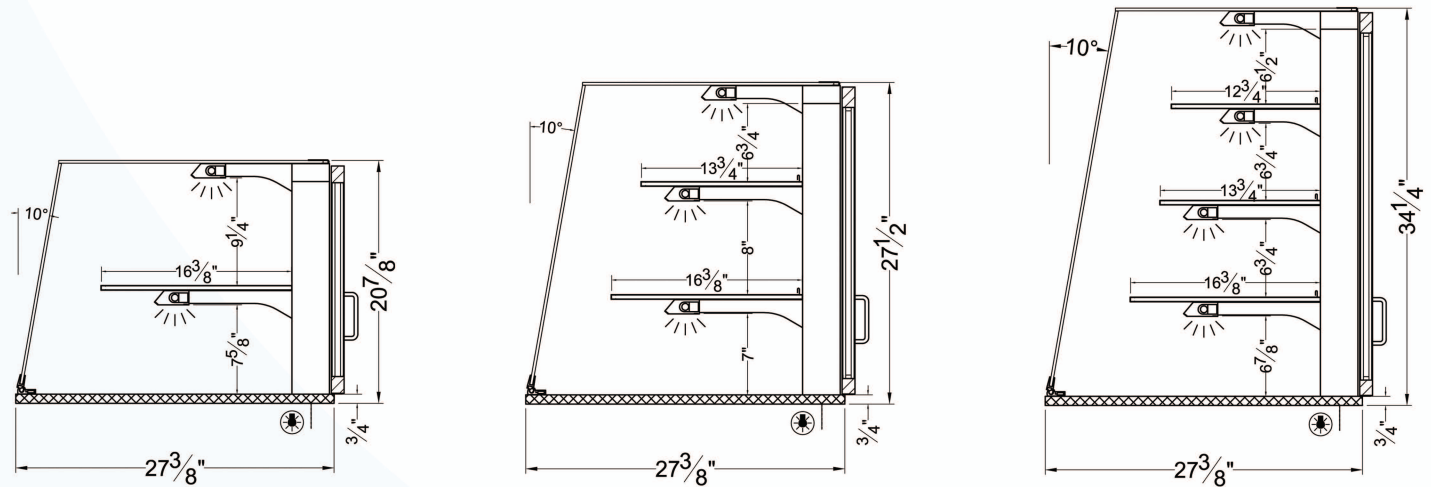
TOLL FREE: 800-525-3692

MODEL # VIDD-SL SLANTED GLASS



Electrical locations

 = Cable for lighting



VIDD2-20-R-SL

VIDD2-27-R-SL

VIDD2-34-R-SL

Any adverse field conditions will void warranty.

RPI in line with it's policy to continually improve it's product reserves the right to change materials and specifications without notice.

CALL TOLL FREE: 800-525-3692 (609-714-2330)

FAX: 609-714-2331 www.rpiindustries.com

220 ROUTE 70, MEDFORD, NJ 08055