

# VIENNA DRY DISPLAY SQUARED

PROJECT: \_\_\_\_\_

ITEM: \_\_\_\_\_ QUANTITY: \_\_\_\_\_

## MODEL # VIDD-SQ SQUARED GLASS



### SPECIFICATIONS

The Vienna Series VIDD-SQ is a non-refrigerated full service display merchandiser designed for counter-top application. Unit features squared tilt-open front glass for ease of cleaning and see through hinged rear doors.

Can complete a dual temperature line-up next to our VICD-SQ cold display models.

Available lengths:  31 1/2"    44 1/4"    57 1/8"    69 7/8"

Available depths:  27 3/8"

Available heights:  20 7/8"    27 1/2"    34 1/4"



Conforms to UL Standard 471, and NSF Standard 7; Certified To CSA Standard C22.2 No.120

### STANDARD FEATURES

- Squared Glass Profile
- 304 Stainless Steel Exterior
- Tempered Tilt-Out Front Glass
- Removable Tempered Glass Side Panels
- Hinged Rear See-Through Access Doors
- Energy Efficient LED Lighting
- Adjustable / Tilttable Tempered Glass Shelves with LED Lights
- 1 Year Parts and Labor Warranty

### OPTIONAL FEATURES

- Mirrored Rear Access Doors
- Sliding Rear Access Doors
- Rear Dook Locks
- Powder Coat Finish
- Open front for Grab & Go Application

MODEL	L	D	H	SHELVES	VOLT	AMPS	PLUG	WT
VIDD2-20-R-SQ	31 1/2	27 3/8	20 7/8	1	115	1.0	5-15P	220
VIDD3-20-R-SQ	44 1/4	27 3/8	20 7/8	1	115	1.0	5-15P	264
VIDD4-20-R-SQ	57 1/8	27 3/8	20 7/8	1	115	1.0	5-15P	297
VIDD5-20-R-SQ	69 7/8	27 3/8	20 7/8	1	115	1.0	5-15P	330
VIDD2-27-R-SQ	31 1/2	27 3/8	27 1/2	2	115	1.0	5-15P	264
VIDD3-27-R-SQ	44 1/4	27 3/8	27 1/2	2	115	1.0	5-15P	308
VIDD4-27-R-SQ	57 1/8	27 3/8	27 1/2	2	115	1.0	5-15P	341
VIDD5-27-R-SQ	69 7/8	27 3/8	27 1/2	2	115	1.0	5-15P	374
VIDD2-34-R-SQ	31 1/2	27 3/8	34 1/4	3	115	1.0	5-15P	308
VIDD3-34-R-SQ	44 1/4	27 3/8	34 1/4	3	115	1.0	5-15P	352
VIDD4-34-R-SQ	57 1/8	27 3/8	34 1/4	3	115	1.0	5-15P	385
VIDD5-34-R-SQ	69 7/8	27 3/8	34 1/4	3	115	1.0	5-15P	418



CALL TOLL FREE: 800-525-3692 (609-714-2330)

FAX: 609-714-2331 [www.rpiindustries.com](http://www.rpiindustries.com)

220 ROUTE 70, MEDFORD, NJ 08055

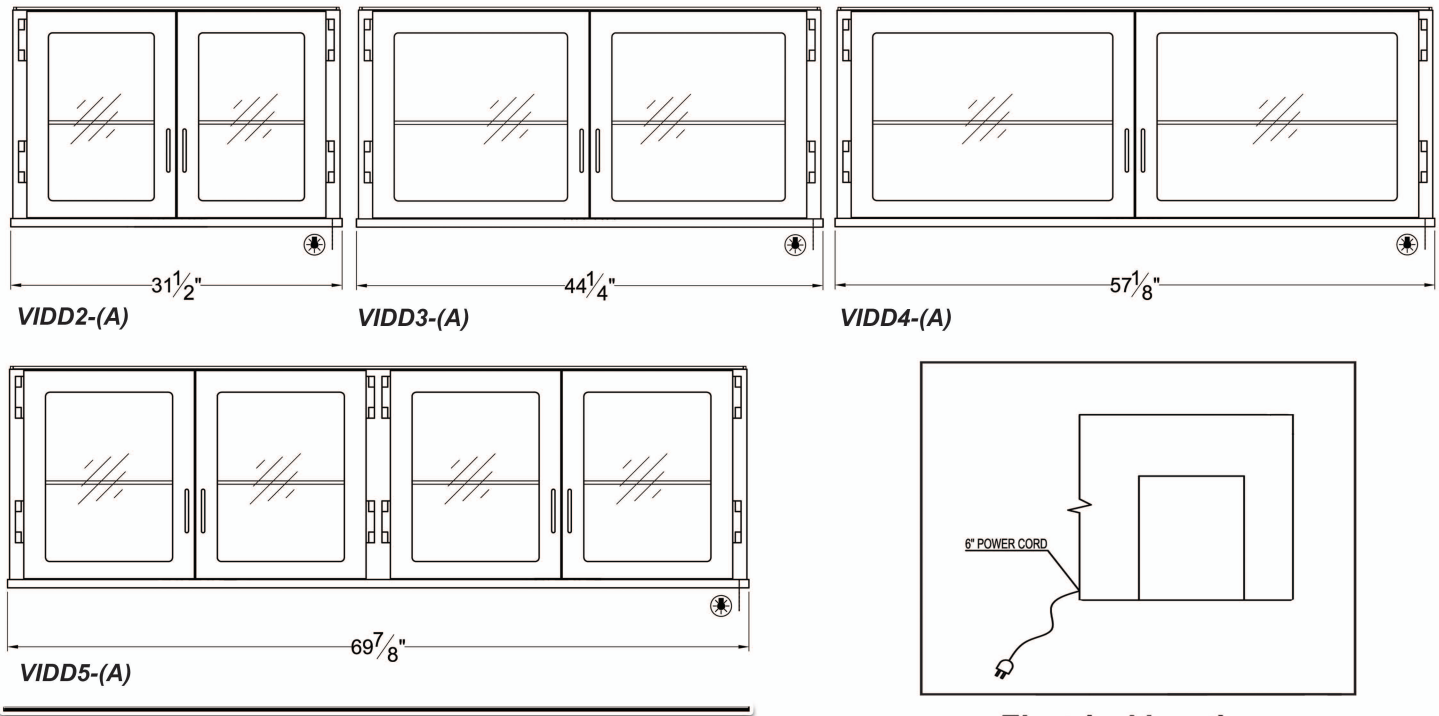
**RPI** INDUSTRIES, INC. v8\_23\_17

# VIENNA DRY DISPLAY SQUARED

PROJECT: \_\_\_\_\_

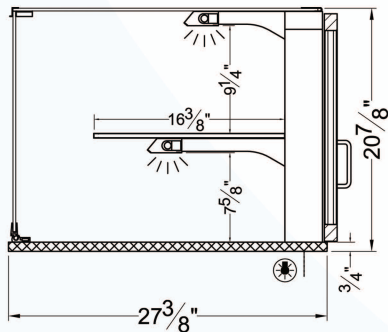
TOLL FREE: 800-525-3692

## MODEL # VIDD-SQ SQUARED GLASS

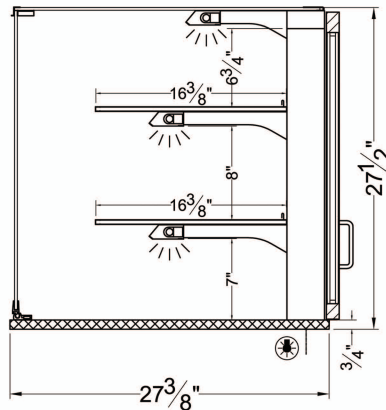


**Electrical locations**

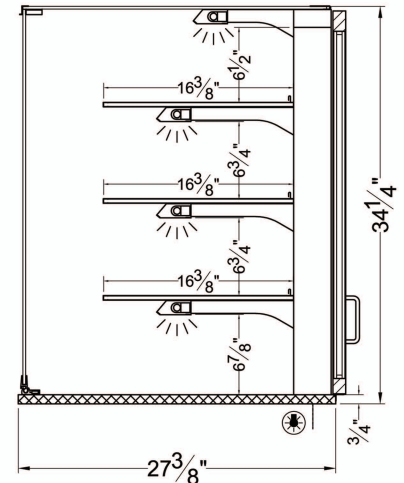
 = Cable for lighting



**VIDD2-20-R-SQ**



**VIDD2-27-R-SQ**



**VIDD2-34-R-SQ**

RPI in line with it's policy to continually improve it's product reserves the right to change materials and specifications without notice.

CALL TOLL FREE: 800-525-3692 (609-714-2330)

FAX: 609-714-2331 [www.rpiindustries.com](http://www.rpiindustries.com)

220 ROUTE 70, MEDFORD, NJ 08055

