

**MODEL # VIAS-20-R-SL-RR-LP SNACKEE**

**SPECIFICATIONS**

The Vienna Series VIAS-20-R-SL-RR-LP Snackee is a self service under counter Grab and Go refrigerated display with easy slide pull out door for service side loading with removable/adjustable self-feeding rack. Installation compartment located on the side of the unit is designed to be built into a counter. Floor drain required

- Available lengths:  30 3/4"  37 5/8"  
 Available depths:  35 3/8"  
 Available heights:  28 3/4"



**STANDARD FEATURES**

**OPTIONAL FEATURES**

- Remote refrigeration
- Stainless steel exterior and interior
- Self service front display
- Removable self feeding display shelf
- Pull out rear door for attendant loading
- Energy efficient LED lighting
- Programmable digital display controller
- Legs & plinth panel
- ETL listed in accordance with UL 471 and NSF 7 standards
- Floor drain required

- Powder coat finish

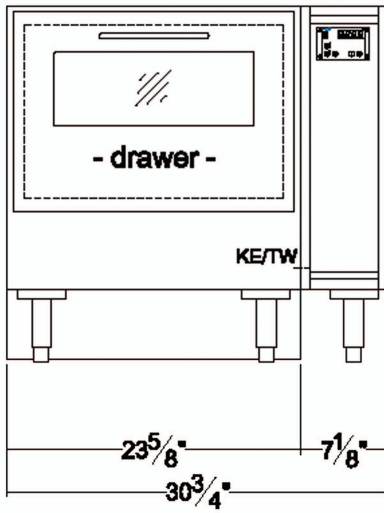


Conforms to UL Standard 471, and NSF Standard 7; Certified To GSA Standard C22.2 No.120

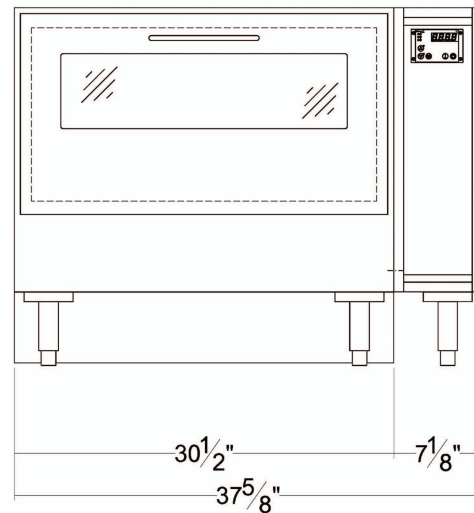
MODEL	L	D	H	BTUs	VOLT	AMP	PLUG	WT	REFRIG.
VIAS1-20-SL-RR-LP - Snackee	30 3/4	35 3/8	28 3/4	1,700 @ 14 Degs evap	115	1.2	5-15P	520	134A
VIAS2-20-SL-RR-LP - Snackee	37 5/8	35 3/8	28 3/4	2,805 @ 14 Degs evap	115	1.2	5-15P	560	134A



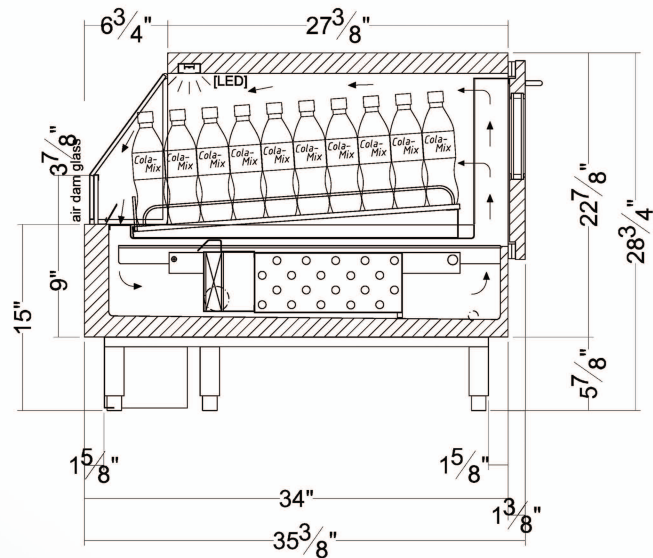
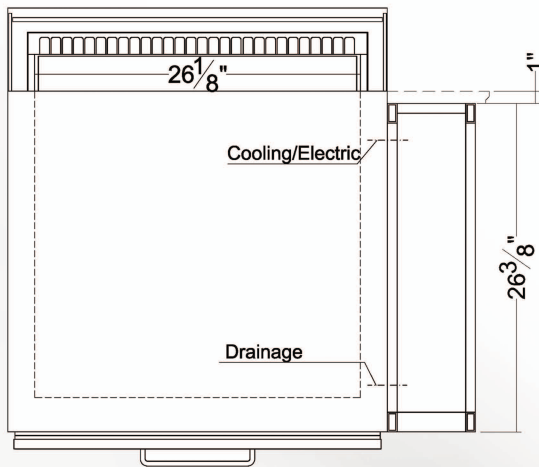
**MODEL # VIAS-20-R-SL-RR-LP SNACKEE**



**VIAS1-20-R-SL-RR-LP SNACKEE**



**VIAS2-20-R-SL-RR-LP SNACKEE**



(side elevation)

**REMOTE REFRIGERATED UNIT SHOWN**

**Electrical & Plumbing locations**

**2 1/2" HOLE REQUIRED FOR COOLING AND DRAINAGE LINES**

1. A 1" diameter drain is provided. The drain **MUST** be connected to a floor drain or storage container **AT TIME OF INSTALLATION**.
2. Rear ventilation louvers, **MUST** be provided in the cabinet or counter and located so to provide full ventilation for the condensing unit.
3. The VIAS1 LP merchandiser is designed for use in locations where temperatures and humidity do not exceed 75 degrees and 55% R.H. Locate away from direct sunlight, rapid air currents and extreme temperature changes. Exposure to air currents from ceiling fans, air conditioners, ovens, etc. will disrupt the cases air current and refrigeration zone within. Any adverse field conditions stated above will void warranty.

RPI in line with it's policy to continually improve it's product reserves the right to change materials and specifications without notice.

CALL TOLL FREE: 800-525-3692 (609-714-2330)

FAX: 609-714-2331 [www.rpiindustries.com](http://www.rpiindustries.com)

220 ROUTE 70, MEDFORD, NJ 08055