

5-TIER SQUARED HOT DISPLAY

SPECIFICATIONS

Patented technology is designed to allow hot air convection, which enables the individual zones to be controlled, maintaining the quality of the product. The innovative technology of Flexeserve Zone® gives the versatility of tailoring the hot food offerings, reducing product waste from the ability to turn zones on or off predicated upon the time of day and customer demands!

Available lengths: 22" 38 3/8"

Available depths: 35 5/8" **

Available heights: 77 1/2"



** DEPTH INCLUDES 2" REMOVABLE REAR BUMPERS

STANDARD FEATURES

- Individually controlled temperature zones
- Energy efficient LED lighting in all zones
- Mirror Polished Back Panel
- Fan Guards Included
- Squared top canopy
- Brushed stainless steel exterior top canopy & lower front valance
- Squared double glazed glass end panels
- Black glass display shelves
- Stainless steel shelf edges
- Clear ticket strips, shelf risers & ticket strips
- 2" rear bumpers for wall clearance
- Casters

OPTIONAL FEATURES

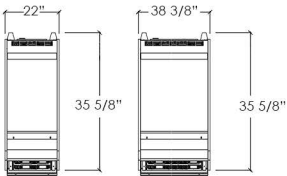
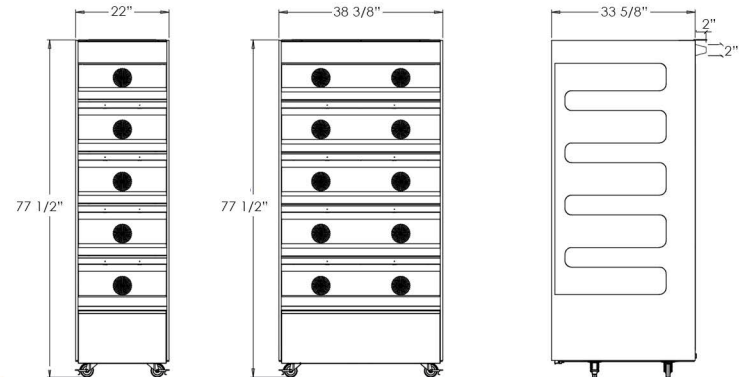
- #8 Mirrored polished stainless steel for top fascia* and lower valance*
- Exterior standard colors for top fascia and lower valance (See RPI Color Chart)
- Exterior custom colors for top fascia and lower valance (Consult factory)
- Exterior with custom graphics package (Consult factory)

MARKETING ACCESSORIES

- Angled Merchandising Insert (Order 1 to fill the shelf, 2 for FXZNA10S5S)
- Merchandising Divider (Recommended for use with Angled Inserts)
- Merchandising Tray
 - FXZNA60S5S (2 to fill the shelf)
 - FXZNA10S5S (4 to fill the shelf)
- Merchandising Rack - Narrow (Recommended for use with Merchandising Trays)
- Merchandising Rack - Standard (Recommended for use with Merchandising Trays)
- Black Metal Condiment Basket (hangs from ticket edge)
- Acrylic Condiment Basket (Recommended hang from riser)
- Variety box of recommended packaging samples

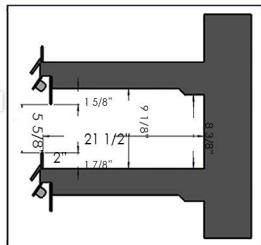
CALL TOLL FREE: 800-525-3692 (609-714-2330)
FAX: 609-714-2331 www.rpiindustries.com
220 ROUTE 70, MEDFORD, NJ 08055

5-TIER SQUARED HOT DISPLAY



PLUG CONFIGURATION

6-15P/6-30P



INTERIOR SHELF DEPTH

MODEL	L	D	H	VOLT	AMP	PLUG	WT
FXZNA60SSS	22"	35 5/8"	77 1/2"	SINGLE PHASE 208/230	13.1	6-15P	558
FXZNA10SSS	38 3/8"	35 5/8"	77 1/2"	SINGLE PHASE 208/230	26.3	6-30P	745

USA Patent Number - 9,462,897 B2



Conforms to UL Standard 197,
and NSF Standard 4; Certified
To CSA Standard C22.2 No. 109

RPI in line with its policy to continually improve its products reserves the right to change materials and specifications without notice.

CALL TOLL FREE: 800-525-3692 (609-714-2330)

FAX: 609-714-2331 www.rpiindustries.com

220 ROUTE 70, MEDFORD, NJ 08055