

MODEL # SCGD

SPECIFICATIONS

The Broadway Deli SCGD Series is a gravity coil deli display case with a choice of standard grade laminate exterior ends and with fixed curved front insulated glass.



Available lengths: 36" 48" 60" 72" 96"

Available depths: 38"

Available heights: 53 3/8"

STANDARD FEATURES

- Gravity Coil
- Self-Contained Refrigeration
- Fixed Curved Front Insulated Glass
- Standard Grade Laminate Exterior
- Black Base
- Interior Vision End Panels
- LED Top Canopy Light
- (2) Stainless Steel Shelves with LED Lights
- See-Through Mirrored Rear Sliding Doors
- Stainless Steel Deck Pan
- Thermometer
- 8' Cord and Plug
- ETL Listed in Accordance with UL 471 and NSF 7 Standards
- Environmentally Safe Refrigerant
- 1 Year Parts and Labor Warranty
- Built-In Condensate Evaporator - 3', 4', 5' & 6' Units Only
- Floor Drain Required - 8' Units
- 5 Year Compressor Warranty

OPTIONAL FEATURES

- Stainless Steel Exterior Finish
 - #4 #6 #8
- Special Laminates
- Wood Veneers (Unfinished)
- Wood Veneers (Stained & Sealed)
- Miscellaneous Trim
- Brass Trim and Hardware
- Wire Shelves
 - Brass White Black Chrome
- Casters (Increases Height by 4")
- Adjustable Legs (Consult Factory for Sizes)
- Mirrored Polished Stainless Steel Interior Ends (#8 Finish)
- Rear Door Locks
- 8" Wrap Board

NOTE: EXCEEDS STANDARD 36" DOOR OPENING FOR INSTALLATION ACCESS



CALL TOLL FREE: 800-525-3692 (609-714-2330)

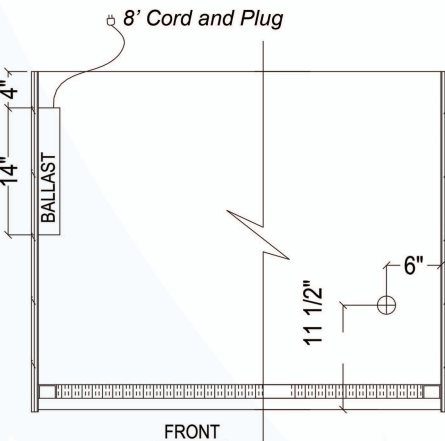
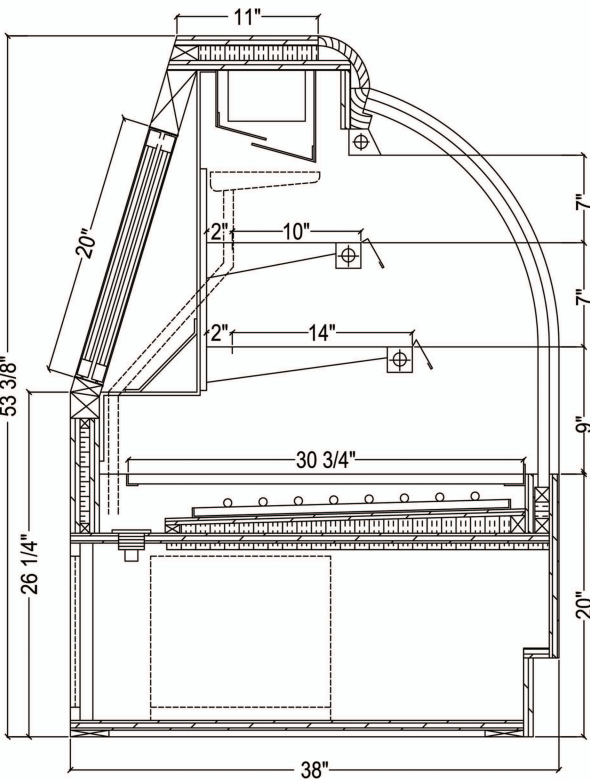
FAX: 609-714-2331 www.rpiindustries.com

220 ROUTE 70, MEDFORD, NJ 08055



INDUSTRIES, INC. v8_31_17

MODEL # SCGD



Electrical & Plumbing locations

1. SCGD96R requires a floor drain. No evaporation pan available.
2. All Remote and Glycol units must be run to a floor drain at time of installation.
3. The SCGD merchandiser is designed for use in stores where temperature and humidity do not exceed 75 degrees F and 55% R. H. Locate away from direct sunlight, rapid air currents and extreme temperature changes. Any adverse field conditions stated above will void warranty.

RPI in line with it's current policy to continually improve it's product reserves the right to change materials and specifications without notice.

CALL TOLL FREE: 800-525-3692 (609-714-2330)
 FAX: 609-714-2331 www.rpiindustries.com
 220 ROUTE 70, MEDFORD, NJ 08055

RPI INDUSTRIES, INC. v8_31_17

SELF - CONTAINED

MODEL	L	D	H	HP	VOLT	AMP	PLUG	WT	REFRIG.
SCGD36R	36	38	53 3/8	1/3	115	8.0	5-15P	600	134A
SCGD48R	48	38	53 3/8	1/3	115	8.0	5-15P	700	134A
SCGD60R	60	38	53 3/8	1/3	115	8.4	5-15P	800	134A
SCGD72R	72	38	53 3/8	1/2	115	12.0	5-15P	900	134A
SCGD96R	96	38	53 3/8	1/2	115	12.2	5-20P	1100	134A

REMOTE - REFRIGERATED

MODEL	BTU @ 20° F	VOLT	AMP	PLUG	WT	REFRIG.
SCGD36R-RR	2360	115	.23	5-15P	550	Verify
SCGD48R-RR	2360	115	.31	5-15P	640	Verify
SCGD60R-RR	4140	115	.39	5-15P	740	Verify
SCGD72R-RR	4140	115	.47	5-15P	840	Verify
SCGD96R-RR	4140	115	.62	5-15P	1000	Verify

GLYCOL

MODEL	BTU @ 20° F	VOLT	AMP	PLUG	WT	GPM	REFRIG.
SCGD36R-RR-GL	2360	115	.23	5-15P	640	.5	GLYCOL
SCGD48R-RR-GL	2360	115	.31	5-15P	640	.5	GLYCOL
SCGD60R-RR-GL	4140	115	.39	5-15P	740	1.0	GLYCOL
SCGD72R-RR-GL	4140	115	.47	5-15P	840	1.0	GLYCOL



Conforms to UL Standard 471,
 and NSF Standard 7; Certified
 To CSA Standard C22.2 No.120



RPI refrigerated merchandisers configured for sale for use in the United States meet or surpass the requirements of the DOE 2017 energy efficiency standards