

**3-TIER CURVED HOT DISPLAY**

**SPECIFICATIONS**

Patented technology is designed to allow hot air convection, which enables the individual zones to be controlled, maintaining the quality of the product. The innovative technology of Flexeserve Zone® gives the versatility of tailoring the hot food offerings, reducing product waste from the ability to turn zones on or off predicated upon the time of day and customer demands!

- Available lengths:  14" \*\*\*  22"  38 3/8"
- Available depths:  34 1/2" \*\*
- Available heights:  60"



\*\* DEPTH INCLUDES 2" REMOVABLE REAR BUMPERS

**STANDARD FEATURES**

- Individually controlled temperature zones
- Energy efficient LED lighting in all zones
- Mirror Polished Back Panel
- Fan Guards Included (one per zone)
- Curved top canopy
- Brushed stainless steel exterior top canopy & lower front valance
- Curved double glazed glass end panels
- Black glass display shelves
- Stainless steel shelf edges
- Clear ticket strips, shelf risers & ticket strips
- 2" rear bumpers for wall clearance
- Stabilizing plate (for 14" unit only) \*\*\*
- Casters

**MARKETING ACCESSORIES**

- Angled Merchandising Insert (Order 1 to fill the shelf, 2 for FXZNA10S3C)
- Merchandising Divider (Recommended for use with Angled Inserts)
- Merchandising Tray
  - FXZNA40S3C (1 to fill the shelf)
  - FXZNA60S3C (2 to fill the shelf)
  - FXZNA10S3C (4 to fill the shelf)

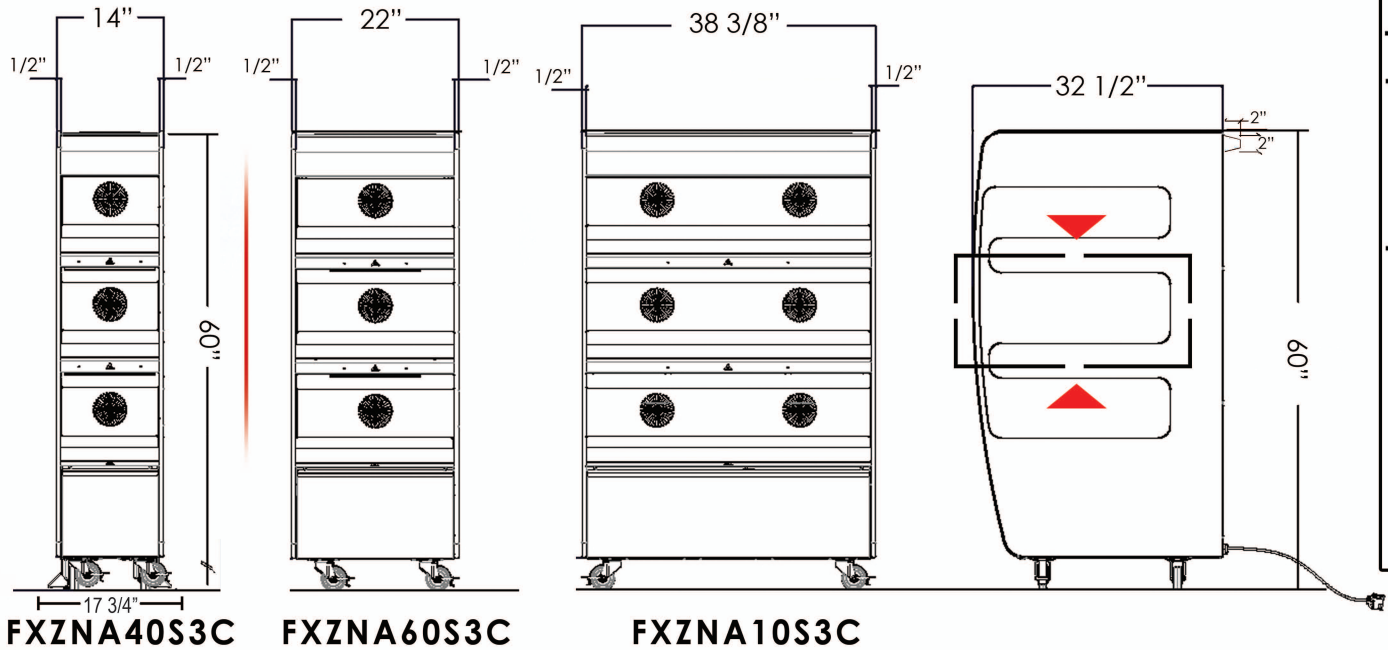
**OPTIONAL FEATURES**

- #8 Mirrored polished stainless steel for **top fascia\*** and **lower valance\***
- Exterior standard colors for top fascia and lower valance (See RPI Color Chart)
- Exterior custom colors for top fascia and lower valance (Consult factory)
- Exterior with custom graphics package (Consult factory)
- Night Blind

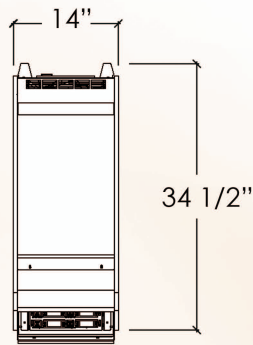
- Merchandising Rack - Narrow (Recommended for use with Merchandising Trays)
- Merchandising Rack - Standard (Recommended for use with Merchandising Trays)
- Black Metal Condiment Basket (hangs from ticket edge)
- Acrylic Condiment Basket (Recommended hang from riser)
- Variety box of recommended packaging samples

Note – Optional night blind is designed to close the unit down when unit is not in use.  
 Note – Product can be stacked on shelves but cannot reach the top; air must be able to circulate over product.  
 Note – Units must be accessible from the rear for servicing

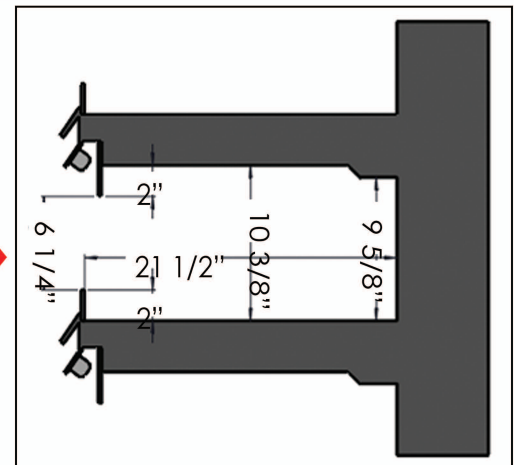
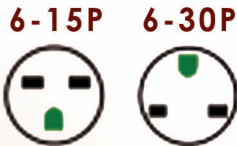
**3-TIER CURVED HOT DISPLAY**



Equipment Specifications ...



**PLUG CONFIGURATION**



**INTERIOR SHELF DEPTH**

MODEL	L	D	H	VOLT	AMP	PLUG	WT
FXZNA40S3C	14" ***	34 1/2"	60"	SINGLE PHASE 208/230	10.7	6-15P	357
FXZNA60S3C	22"	34 1/2"	60"	SINGLE PHASE 208/230	10.7	6-15P	386
FXZNA10S3C	38 3/8"	34 1/2"	60"	SINGLE PHASE 208/230	21.5	6-30P	595

\*\*\* Note: Stabilizing plate is necessary for transporting the narrow 14" unit. Plate can be removed if desired once unit is in place. If plate is left on, the overall width increases from 14" to 17 3/4".

USA Patent Number - 9,462,897 B2

RPI in line with its policy to continually improve its products reserves the right to change materials and specifications without notice.



Conforms to UL Standard 197, and NSF Standard 4; Certified To CSA Standard C22.2 No.109