



SPECIFICATIONS

A modular refrigerated wall display designed specifically for Micro Beer presentation. Units are designed for you to display your goods in six different size modules, with the ability for you to seamlessly incorporate cheese, charcuterie or wine modules to complete your experience!

Units are preset for wine storage temperatures between 33°-41°F

STANDARD FEATURES

- Standard plastic laminate exterior
- Full height hinged doors with satin black finish
- #4 Brushed stainless steel interior
- Energy efficient vertically mount LED lighting with dimming ability
- Chrome parabolic ceiling grid
- Digital controls
- Top mounted hinged utility access panel
- Unique design stainless platform base with leveling adjustability
- Perforated flat-style display shelving
- Removable front base fascia for access to floor drain
- Refrigeration control pre-set @ factory
- ETL listed in accordance with UL 471 and NSF 7 standards
- Floor Drain Required

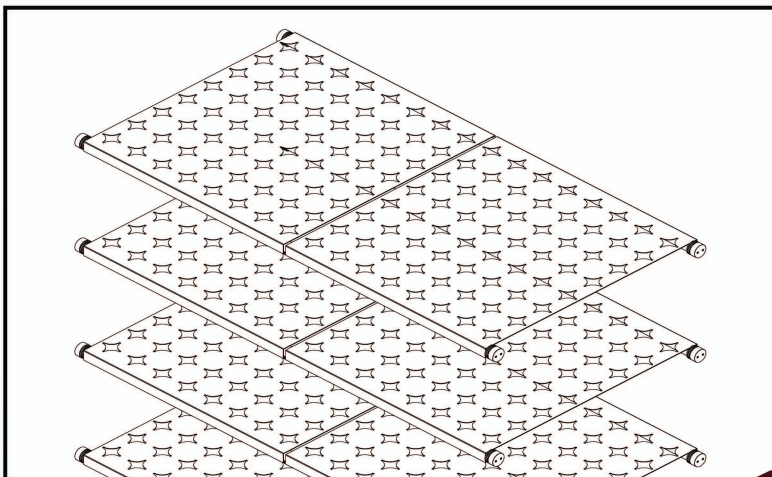
OPTIONAL FEATURES

- Stainless Steel Exterior Finish
 - #4 #8
- Door finish
 - Brite Black
- Door Locks
- Veneer Exterior
 - Maple Cherry
 - Red Oak
- Counter Top Style (Module 1 only)

AVAILABLE SIZES

- lengths: 30" 48" 60"
- depths: 32"
- heights: 37" 74"

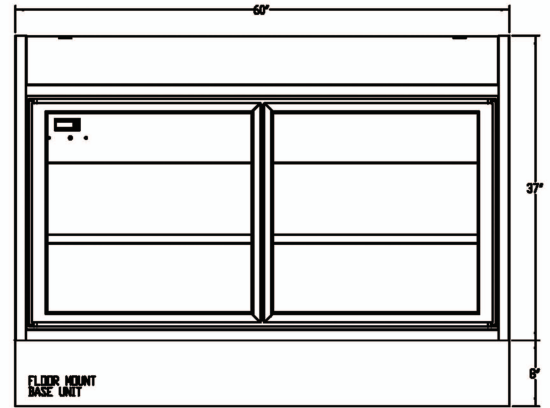
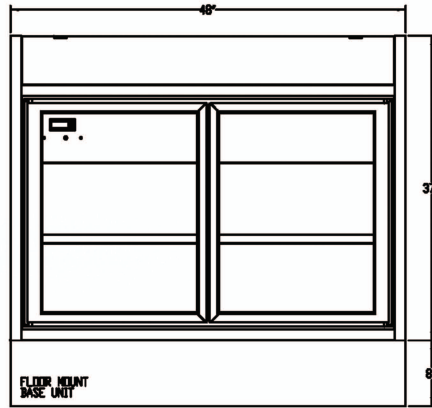
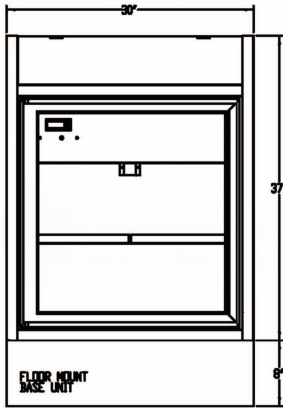
RACKING STYLES / FINISHES



Perforated Flat-Style Display Shelving

- #4 Brushed stainless steel

MODULAR METHODS MICRO BEER SERIES



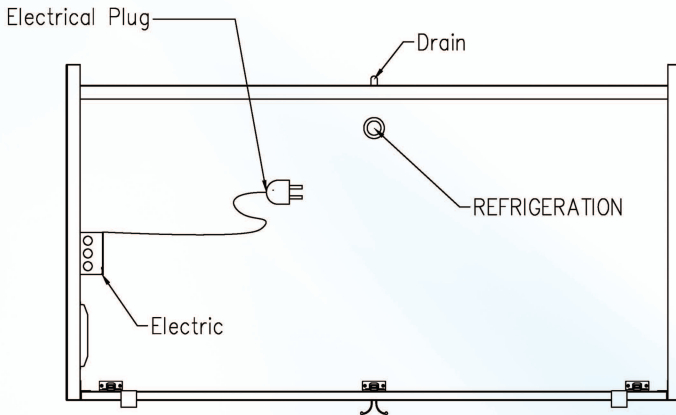
MODULE 1

available single / double

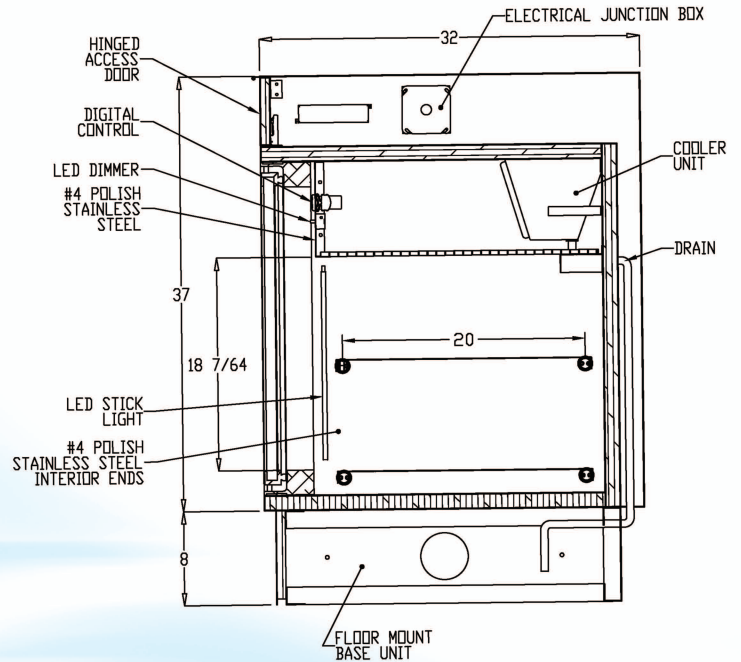
REMOTE - REFRIGERATED - MODULE: 1

Model	L	D	H	BTU @ 20 F	VOLT	AMP	PLUG	WT	REFRIG.
WH1-36-D-78-WP-RR-MB	30	32	37	1200	115	.90	5-15P	215	Verify
WH1-48-D-78-WP-RR-MB	48	32	37	1350	115	.90	5-15P	310	Verify
WH1-60-D-78-WP-RR-MB	60	32	37	1950	115	1.70	5-15P	440	Verify

* 448a refrigeration available at no additional cost - please specify



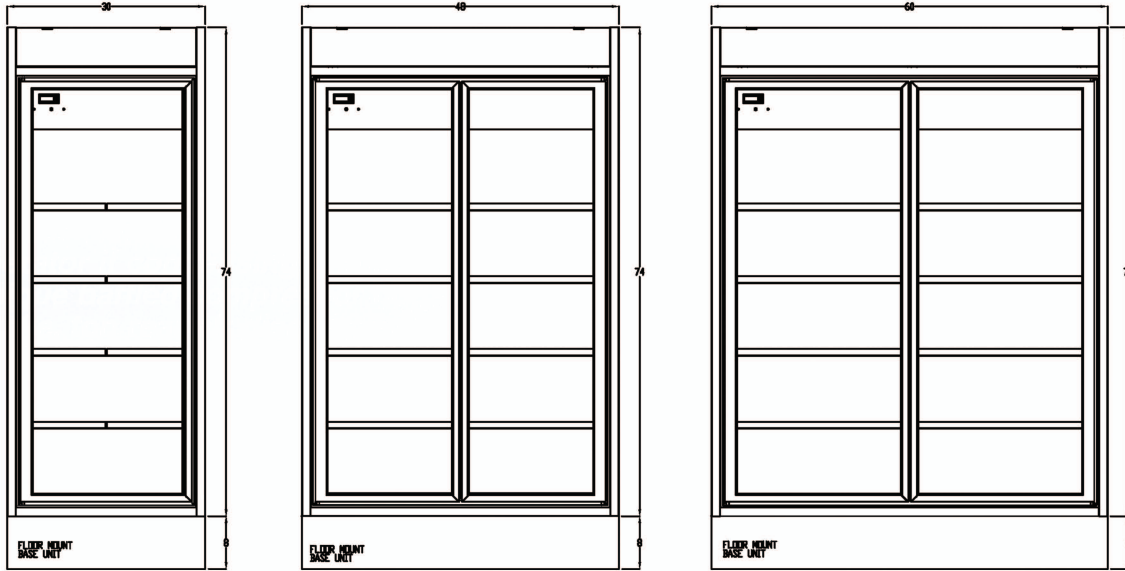
Plumbing & Electric Location
On Top Of The Unit



RPI in line with it's current policy to continually improve it's product reserves the right to change materials and specifications without notice.

v5_26_23

MODULAR METHODS MICRO BEER SERIES



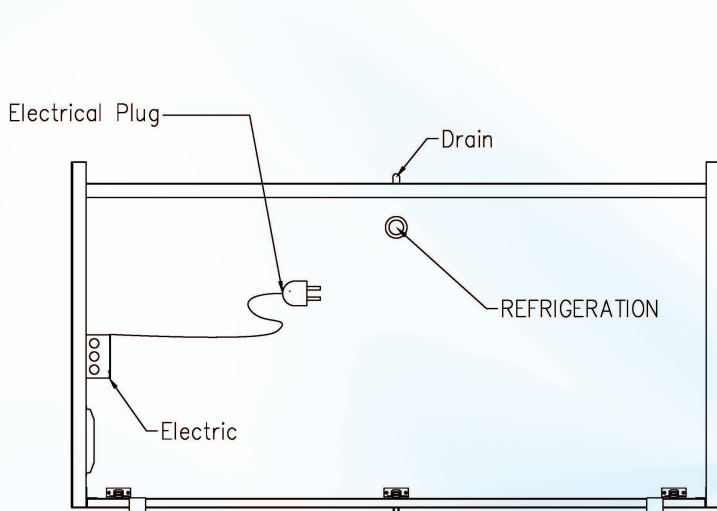
MODULE 2

available single / double

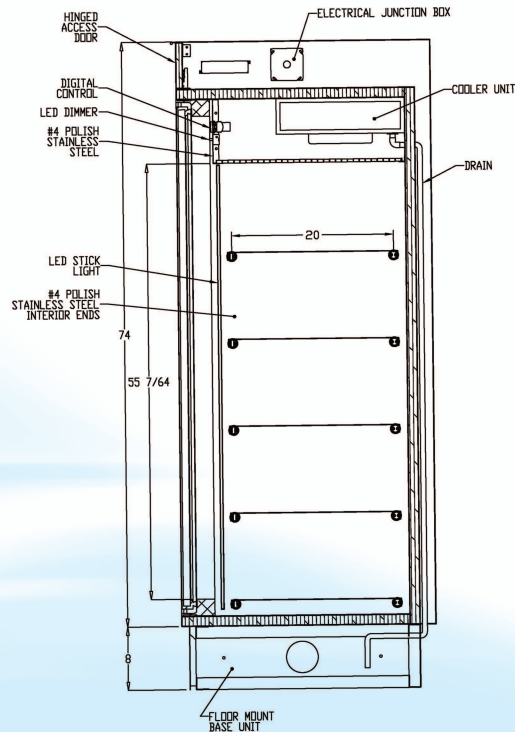
REMOTE - REFRIGERATED - MODULE: 2

Model	L	D	H	BTU @ 20 F	VOLT	AMP	PLUG	WT	REFRIG.
WH1-36-D-84-WP-RR-MB	30	32	74	1950	115	1.78	5-15P	413	Verify
WH1-48-D-84-WP-RR-MB	48	32	74	3750	115	2.18	5-15P	620	Verify
WH1-60-D-84-WP-RR-MB	60	32	74	3750	115	2.18	5-15P	795	Verify

* 448a refrigeration available at no additional cost - please specify



Plumbing & Electric Location
On Top Of The Unit



Conforms to UL Standard 471,
and NSF Standard 7; Certified
To CSA Standard C22.2 No.120

RPI in line with it's current policy to continually improve it's product reserves the right to change materials and specifications without notice.