

MODULAR METHODS CHARCUTERIE SERIES



SPECIFICATIONS

A modular refrigerated wall display designed specifically for charcuterie. The charcuterie is suspended from a 1" in diameter stainless steel pole system. Units are designed for you to display your goods in six different size modules, with the ability for you to seamlessly incorporate wine or beverage modules to complete your experience!

Units are preset for charcuterie storage temperatures between 33°-41°F

STANDARD FEATURES

- Standard plastic laminate exterior
- Full height hinged doors with satin black finish
- #4 Brushed stainless steel interior
- Energy efficient vertically mount LED lighting with dimming ability
- Chrome parabolic ceiling grid
- Digital controls
- Top mounted hinged utility access panel
- Unique design stainless platform base with leveling adjustability
- Stainless hanging rails
- Removable front base fascia for access to floor drain
- Refrigeration control pre-set @ factory
- ETL listed in accordance with UL 471 and NSF 7 standards
- Floor Drain Required

OPTIONAL FEATURES

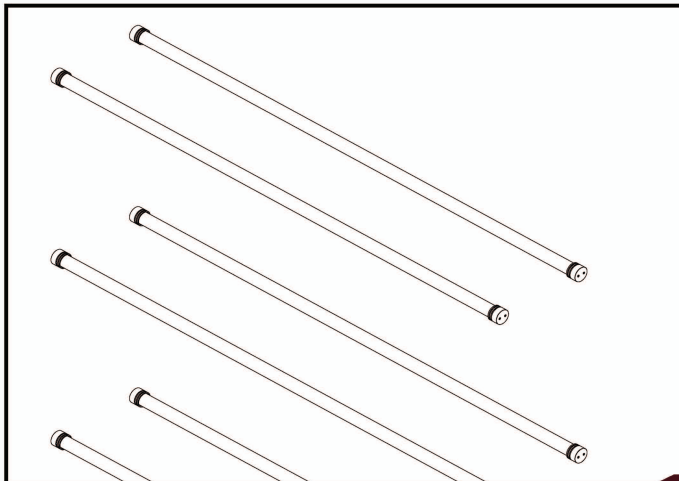
- Stainless Steel Exterior Finish
 - #4 #8
- Veneer Exterior
 - Maple Cherry
 - Red Oak
- Door finish
 - Brite Black
- Door Locks
- Counter Top Style (Module I only)

AVAILABLE SIZES

- lengths: 30" 48" 60"
- depths: 32"
- heights: 37" 74"

RACKING STYLES / FINISHES

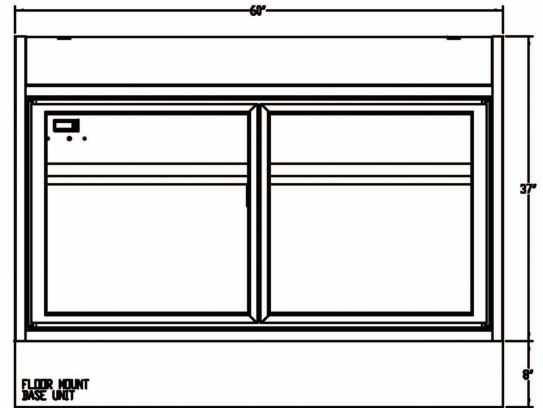
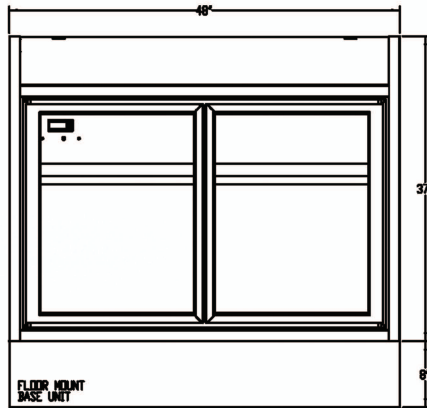
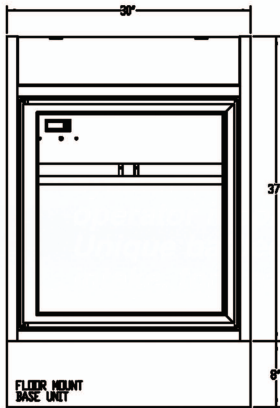
CHARCUTERIE



Horizontal Stainless Steel Tubing

- #4 Brushed stainless steel

MODULAR METHODS CHARCUTERIE SERIES



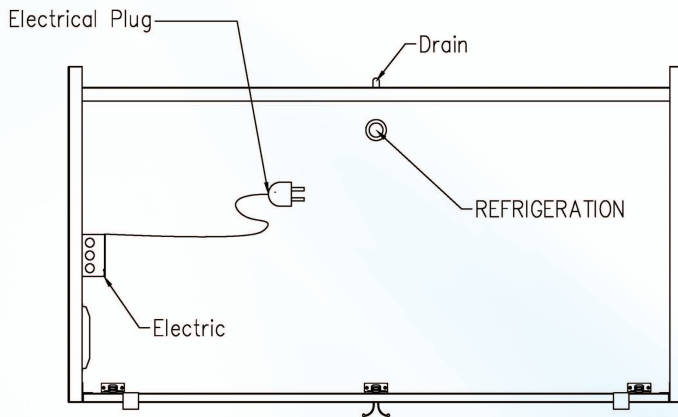
MODULE 1

available single / double

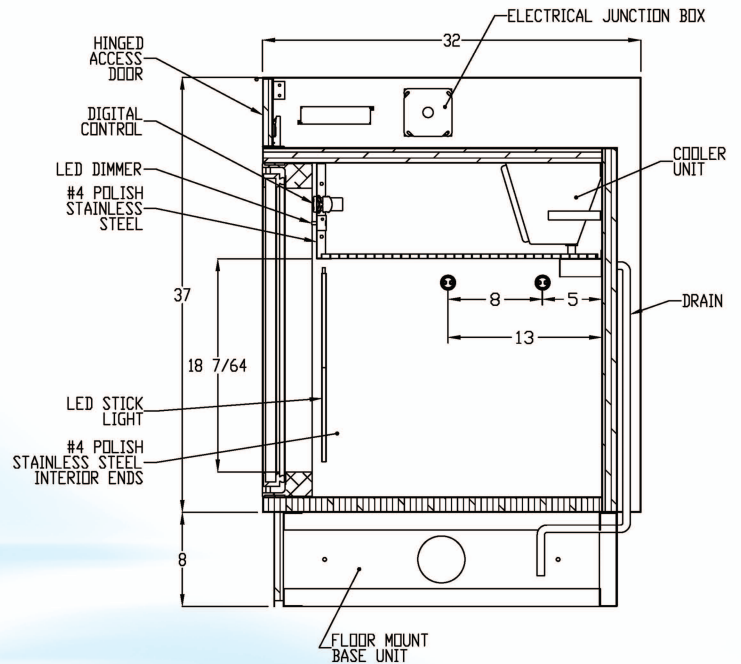
REMOTE - REFRIGERATED - MODULE: 1

Model	L	D	H	BTU @ 20 F	VOLT	AMP	PLUG	WT	REFRIG.
WH1-36-D-78-RR-C	30	32	37	1200	115	.90	5-15P	215	Verify
WH1-48-D-78-RR-C	48	32	37	1350	115	.90	5-15P	310	Verify
WH1-60-D-78-RR-C	60	32	37	1950	115	1.70	5-15P	440	Verify

* 448a refrigeration available at no additional cost - please specify



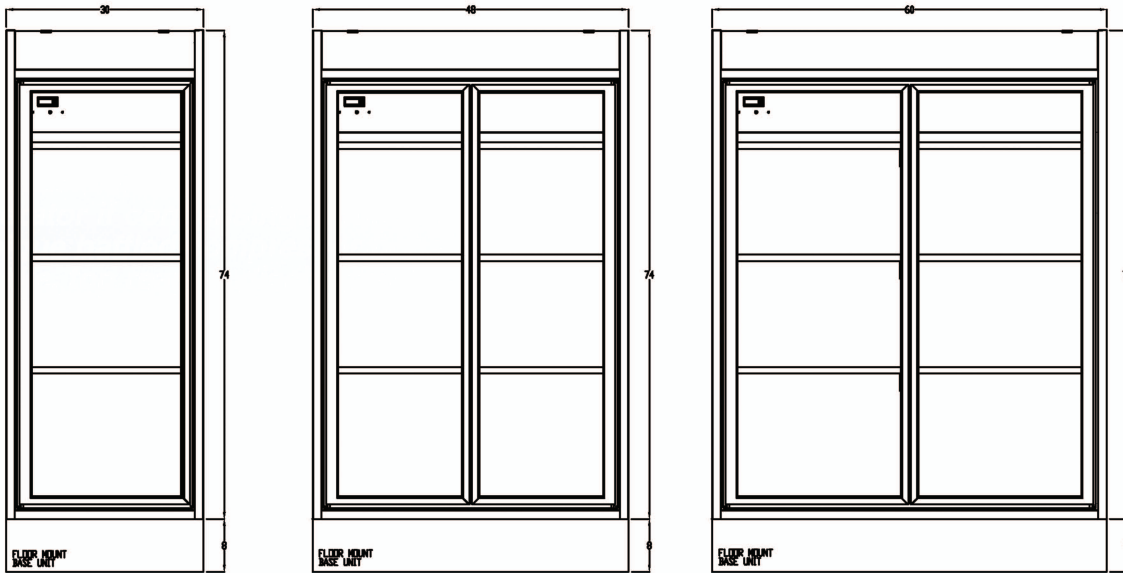
Plumbing & Electric Location
On Top Of The Unit



RPI in line with it's current policy to continually improve it's product reserves the right to change materials and specifications without notice.

v5_26_23

MODULAR METHODS CHARCUTERIE SERIES



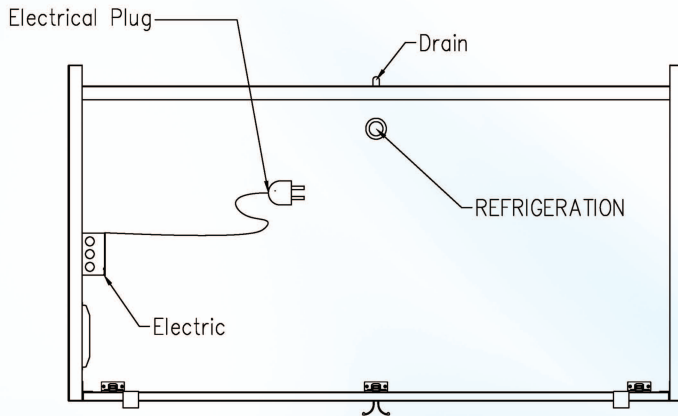
MODULE 2

available single / double

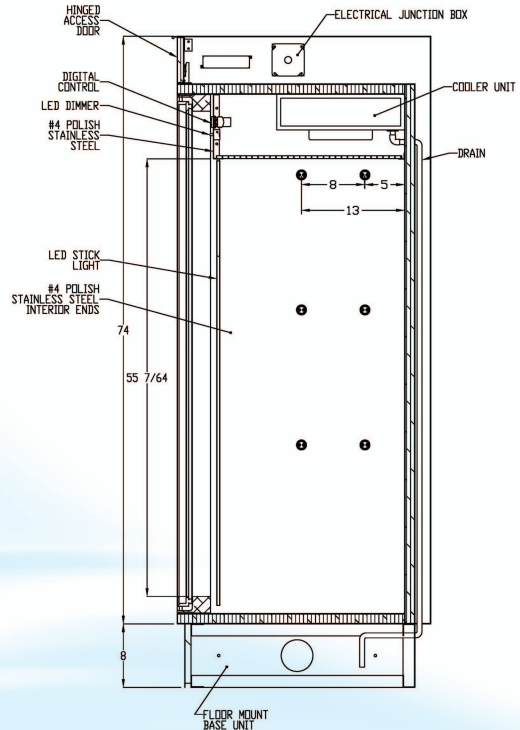
REMOTE - REFRIGERATED - MODULE: 2

Model	L	D	H	BTU @ 20 F	VOLT	AMP	PLUG	WT	REFRIG.
WH1-36-D-84-WP-RR-C	30	32	74	1950	115	1.78	5-15P	413	Verify
WH1-48-D-84-WP-RR-C	48	32	74	3750	115	2.18	5-15P	620	Verify
WH1-60-D-84-WP-RR-C	60	32	74	3750	115	2.18	5-15P	795	Verify

* 448a refrigeration available at no additional cost - please specify



Plumbing & Electric Location
On Top Of The Unit



Conforms to UL Standard 471,
and NSF Standard 7; Certified
To CSA Standard C22.2 No.120

RPI in line with it's current policy to continually improve it's product reserves the right to change materials and specifications without notice.

v5_26_23