



## SPECIFICATIONS

A modular refrigerated wall display designed specifically for wine. Units are designed for you to display your goods in six different size modules, with the ability for you to seamlessly incorporate cheese, charcuterie, or beer modules to complete your experience!

Units are preset for wine storage temperatures between 45°-55°F

## STANDARD FEATURES

- Standard plastic laminate exterior
- Full height hinged doors with satin black finish
- #4 Brushed stainless steel interior
- Energy efficient vertically mount LED lighting with dimming ability
- Chrome parabolic ceiling grid
- Digital controls
- Top mounted hinged utility access panel
- Unique design stainless platform base with leveling adjustability
- Horizontal stainless rails
- Removable front base fascia for access to floor drain
- Refrigeration control pre-set @ factory
- ETL listed in accordance with UL 471 and NSF 7 standards
- Floor Drain Required

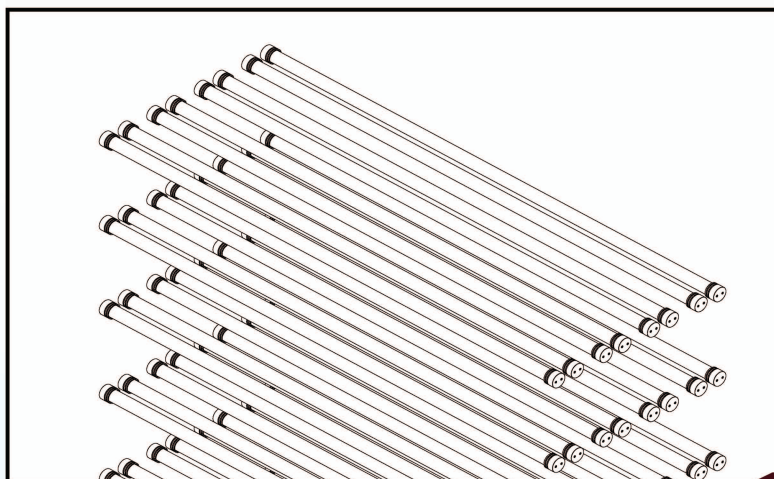
## OPTIONAL FEATURES

- Stainless Steel Exterior Finish
  - #4
  - #8
- Door finish
  - Brite Black
  - Door Locks
- Veneer Exterior
  - Maple
  - Cherry
  - Red Oak
- Counter Top Style (Module I only)

## AVAILABLE SIZES ■

- lengths:  30"     48"     60"
- depths:  32"
- heights:  37"     74"

## RACKING STYLES / FINISHES



### Label View (Horizontal left to right style)

- #4 Brushed stainless steel

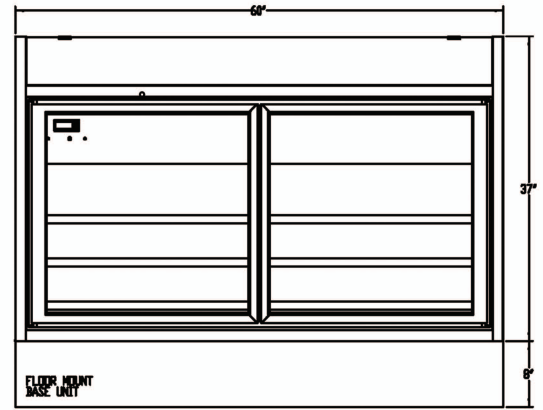
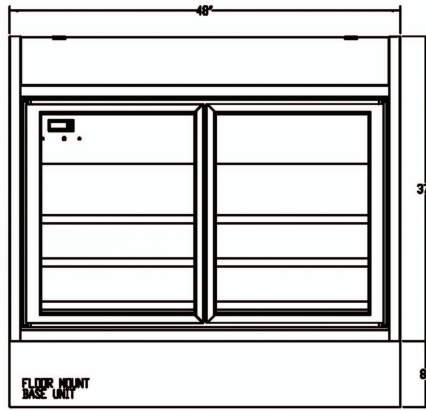
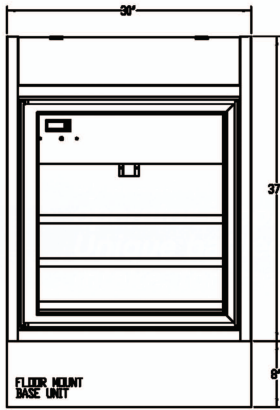
## BOTTLE CAPACITY

MODULE TYPE: 1		HEIGHT	CAPACITY	MODULE TYPE: 2		HEIGHT	CAPACITY
30"	37"	24 BOTTLES	30"	74"	48 BOTTLES		
48"	37"	36 BOTTLES	48"	74"	72 BOTTLES		
60"	37"	48 BOTTLES	60"	74"	96 BOTTLES		

**BASED ON STANDARD 750ml BOTTLES**

■ ■ ■ ■ ■ ■ ■ ■ ■ ■ v5\_26\_23

# MODULAR METHODS WINE SERIES (TYPE: I)



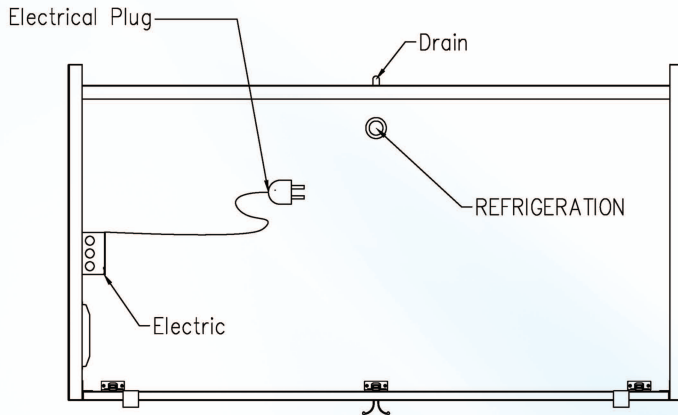
## MODULE 1

available single / double

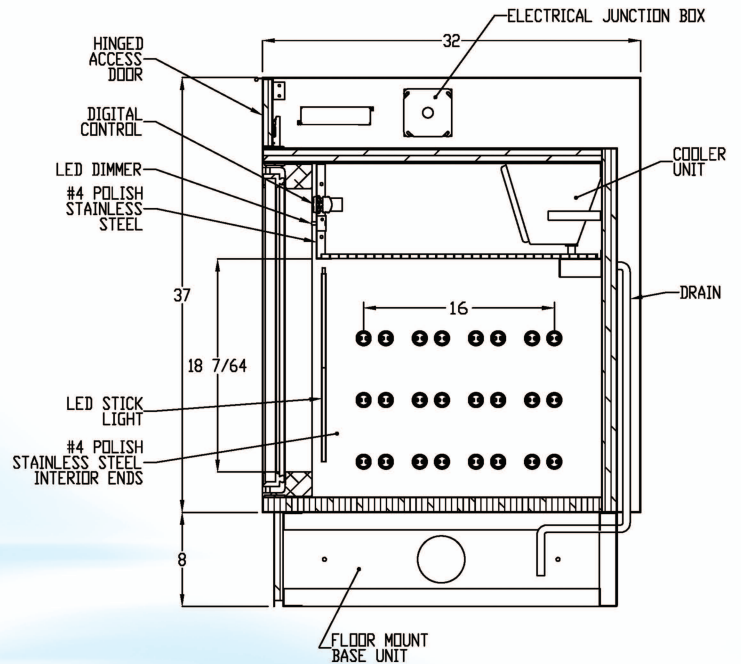
## REMOTE - REFRIGERATED - MODULE: 1

Model	L	D	H	BTU @ 20 F	VOLT	AMP	PLUG	WT	REFRIG.
WH1-36-D-78-WP-RR-WI	30	32	37	1200	115	.90	5-15P	215	Verify
WH1-48-D-78-WP-RR-WI	48	32	37	1350	115	.90	5-15P	310	Verify
WH1-60-D-78-WP-RR-WI	60	32	37	1950	115	1.70	5-15P	440	Verify

\* 448a refrigeration available at no additional cost - please specify



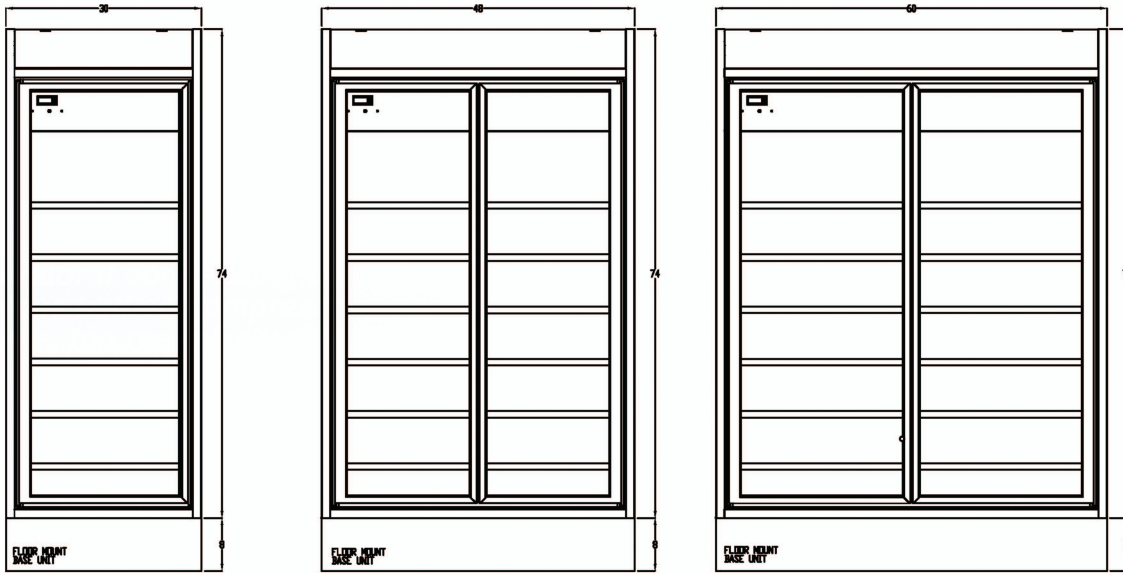
Plumbing & Electric Location  
On Top Of The Unit



RPI in line with it's current policy to continually improve it's product reserves the right to change materials and specifications without notice.

v5\_26\_23

# MODULAR METHODS WINE SERIES (TYPE: I)



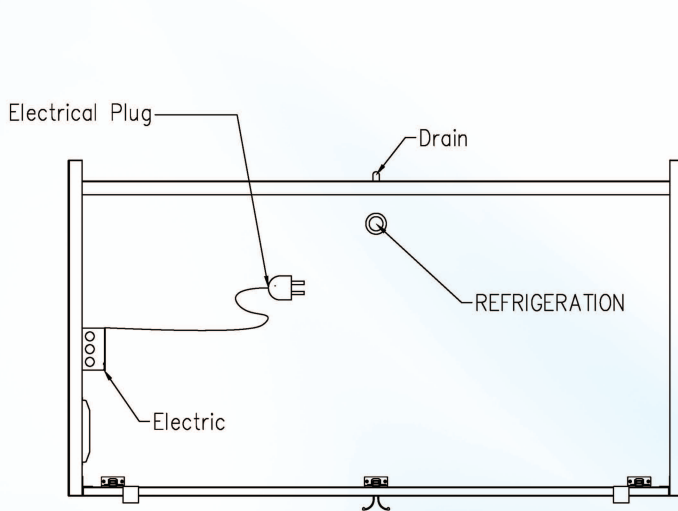
## MODULE 2

available single / double

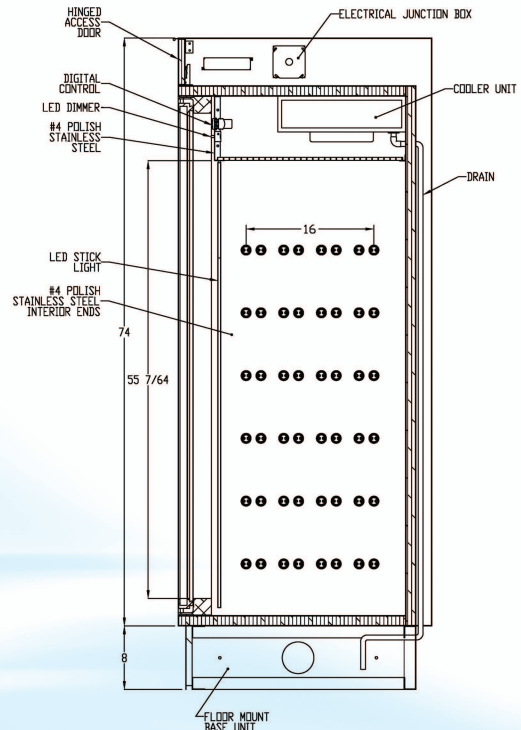
## REMOTE - REFRIGERATED - MODULE: 2

Model	L	D	H	BTU @ 20 F	VOLT	AMP	PLUG	WT	REFRIG.
WH1-36-D-84-WP-RR-WI	30	32	74	1950	115	1.78	5-15P	413	Verify
WH1-48-D-84-WP-RR-WI	48	32	74	3750	115	2.18	5-15P	620	Verify
WH1-60-D-84-WP-RR-WI	60	32	74	3750	115	2.18	5-15P	795	Verify

\* 448a refrigeration available at no additional cost - please specify



Plumbing & Electric Location  
On Top Of The Unit



Conforms to UL Standard 471,  
and NSF Standard 7; Certified  
To CSA Standard C22.2 No.120

RPI in line with it's current policy to continually improve it's product reserves the right to change materials and specifications without notice.