

MODULAR METHODS WINE SERIES (TYPE: II)



SPECIFICATIONS

A modular refrigerated wall display designed specifically for wine. Units are designed for you to display your goods in six different size modules, with the ability for you to seamlessly incorporate cheese, charcuterie or beer modules to complete your experience!

Units are preset for wine storage temperatures between 45°-55°F

STANDARD FEATURES

- Standard plastic laminate exterior
- Full height hinged doors with satin black finish
- #4 Brushed stainless steel interior
- Energy efficient vertically mount LED lighting with dimming ability
- Chrome parabolic ceiling grid
- Digital controls
- Top mounted hinged utility access panel
- Unique design stainless platform base with leveling adjustability
- Horizontal front to back stainless racking
- Removable front base fascia for access to floor drain
- Refrigeration control pre-set @ factory
- ETL listed in accordance with UL 471 and NSF 7 standards
- Floor Drain Required

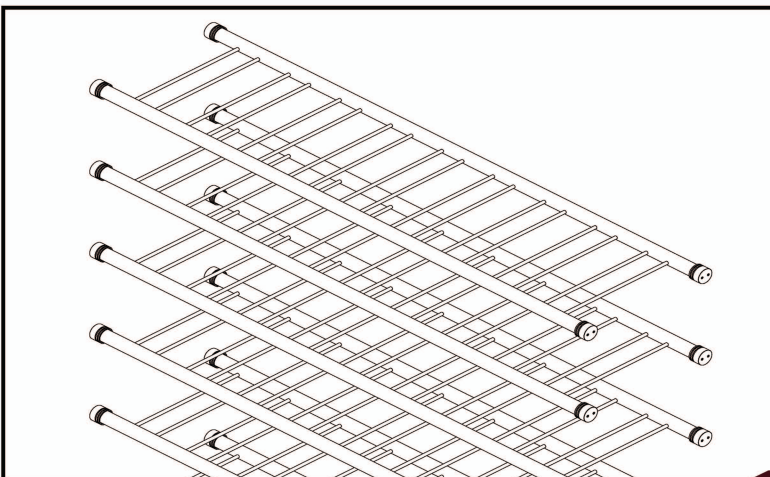
OPTIONAL FEATURES

- Stainless Steel Exterior Finish
 - #4 #8
- Veneer Exterior
 - Maple Cherry
 - Red Oak
- Door finish
 - Brite Black
- Door Locks
- Counter Top Style (Module I only)

AVAILABLE SIZES

- lengths: 30" 48" 60"
- depths: 32"
- heights: 37" 74"

RACKING STYLES / FINISHES



Cork View (Horizontal front to back style)

- #4 Brushed stainless steel

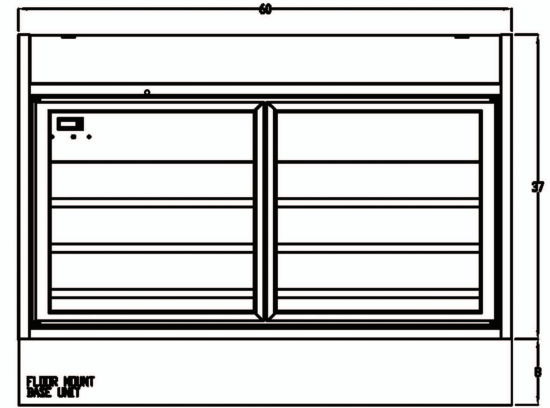
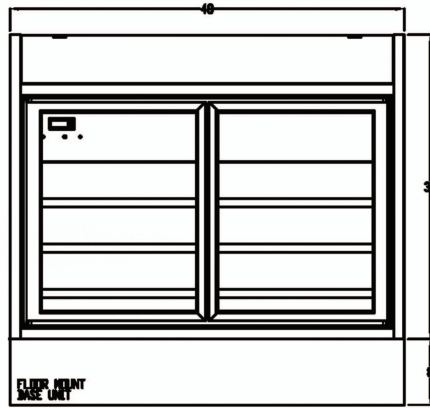
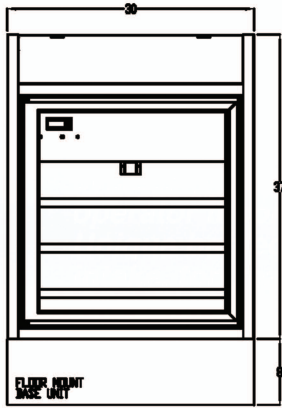
BOTTLE CAPACITY

MODULE TYPE: 1 HEIGHT			MODULE TYPE: 2 HEIGHT		
HEIGHT	CAPACITY		HEIGHT	CAPACITY	
30"	37"	15 BOTTLES	30"	74"	30 BOTTLES
48"	37"	27 BOTTLES	48"	74"	54 BOTTLES
60"	37"	36 BOTTLES	60"	74"	72 BOTTLES

BASED ON STANDARD 750ml BOTTLES

■■■■■■■■ v3_19_21

MODULAR METHODS WINE SERIES (TYPE: II)

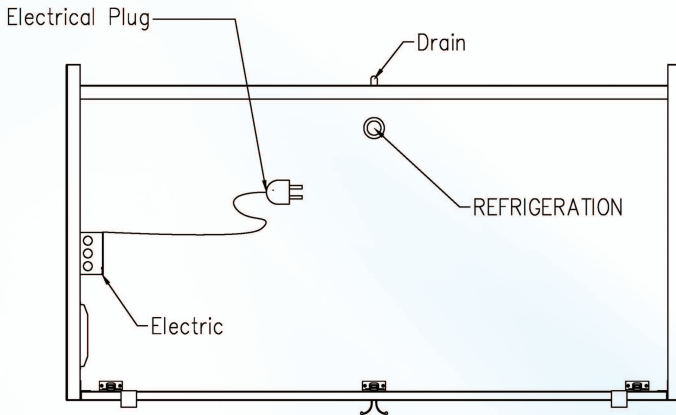


MODULE 1

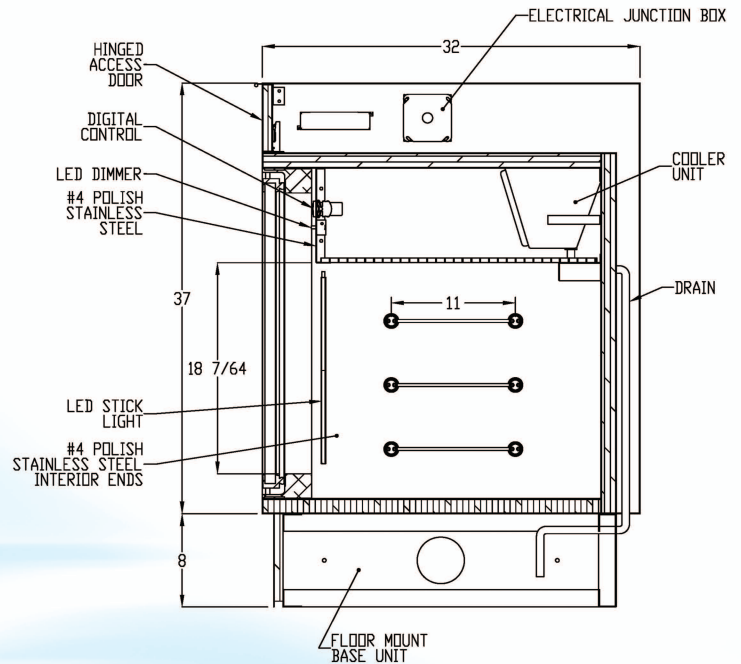
available single / double

REMOTE - REFRIGERATED - MODULE: 1

Model	L	D	H	BTU @ 20 F	VOLT	AMP	PLUG	WT	REFRIG.
WH1-36-D-78-WP-RR-WII	30	32	37	1200	115	.90	5-15P	215	Verify
WH1-48-D-78-WP-RR-WII	48	32	37	1350	115	.90	5-15P	310	Verify
WH1-60-D-78-WP-RR-WII	60	32	37	1950	115	1.70	5-15P	440	Verify



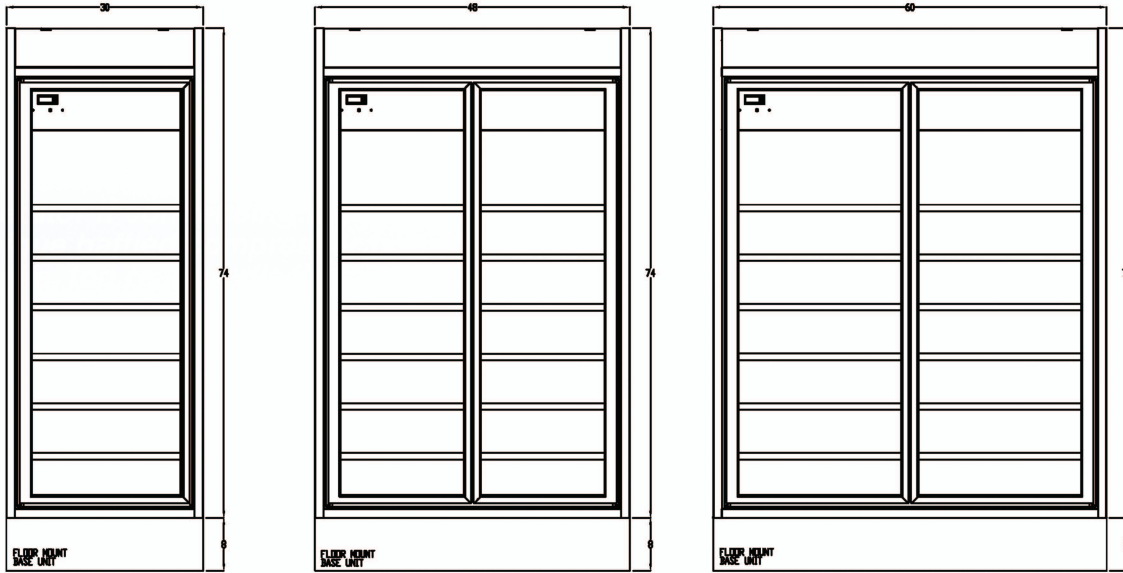
Plumbing & Electric Location
On Top Of The Unit



RPI in line with it's current policy to continually improve it's product reserves the right to change materials and specifications without notice.

v3_19_21

MODULAR METHODS WINE SERIES (TYPE: II)

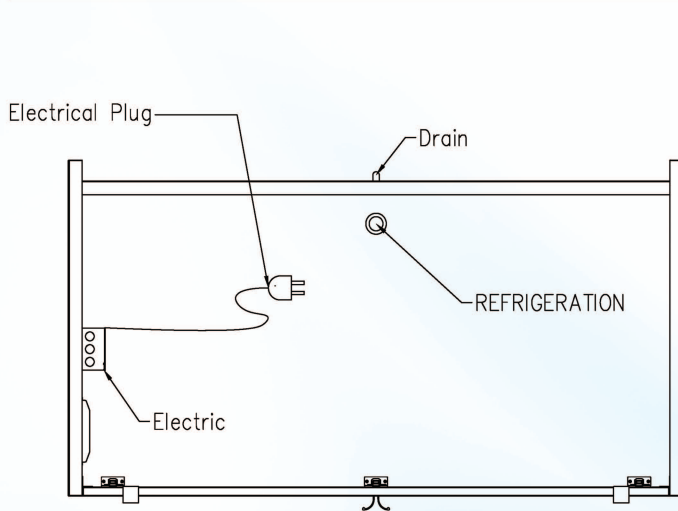


MODULE 2

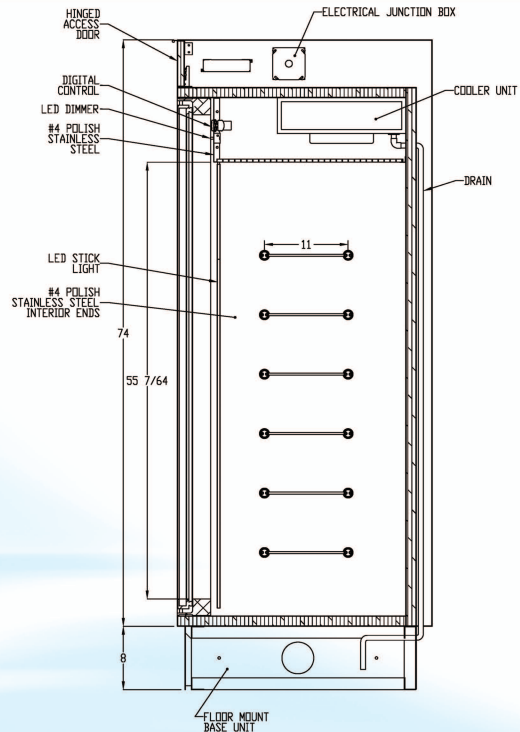
available single / double

REMOTE - REFRIGERATED - MODULE: 2

Model	L	D	H	BTU @ 20 F	VOLT	AMP	PLUG	WT	REFRIG.
WH1-36-D-84-WP-RR-WII	30	32	74	1950	115	1.78	5-15P	413	Verify
WH1-48-D-84-WP-RR-WII	48	32	74	3750	115	2.18	5-15P	620	Verify
WH1-60-D-84-WP-RR-WII	60	32	74	3750	115	2.18	5-15P	795	Verify



Plumbing & Electric Location
On Top Of The Unit



Conforms to UL Standard 471,
and NSF Standard 7; Certified
To CSA Standard C22.2 No.120

RPI in line with its current policy to continually improve its product reserves the right to change materials and specifications without notice.

v3_19_21