

MONACO COLD MODEL # SCXSSC-M3

SPECIFICATIONS

The Express Cold M3 Series is a full service combination display case featuring refrigerated lower level with ambient upper shelf. The M3 case includes vertical tempered glass front and side protector guards with stainless steel posts and choice of standard grade laminate exterior finish. Features open rear access and stainless work ledge for easy operator usage.

Available lengths: 47 3/8" 59 3/8" 71 3/8"

Available depths: 43 7/8"

Available heights: 54"



STANDARD FEATURES

- Remote Refrigeration
- Standard Grade Laminate Exterior
- Black Base
- Vertical tempered Front Glass Protector Guard with Stainless Steel Posts
- 3/8" Glass Sides and top
- Rear Stainless Steel Work Ledge with Zip Lite Cutting Board
- Brushed Aluminum Interior Ends
- Stainless Steel Perforated Interior Back Panel
- (1) Non-Refrigerated Glass Shelf
- Open Rear Access (Operator Side)
- Stainless Steel Deck Pan
- Thermometer
- 8' Cord and Plug
- ETL Listed in Accordance with UL 471 and NSF 7 Standards
- Environmentally Safe Refrigerant
- 1 Year Parts and Labor Warranty
- Built in condensate evaporation system

OPTIONAL FEATURES

- Self-Contained Refrigeration (4' & 5' sizes)
- Stainless Steel Exterior Finish
 - #4 #6 #8
- Special Laminates
- Wood Veneers (Unfinished)
- Wood Veneers (Stained & Sealed)
- Miscellaneous Trim
- Black Styrene Step Sham
- Stainless Steel Step Sham
- Casters (Increases Height by 4")
- Adjustable Legs (Consult Factory for Sizes)
- Mirrored Polished Stainless Steel Interior Ends (#8 Finish)
- Mirrored Polished Stainless Steel Perforated Interior Back Panel (#8 Finish)
- Corian® Rear Work Ledge
- Zodiac® Rear Work Ledge

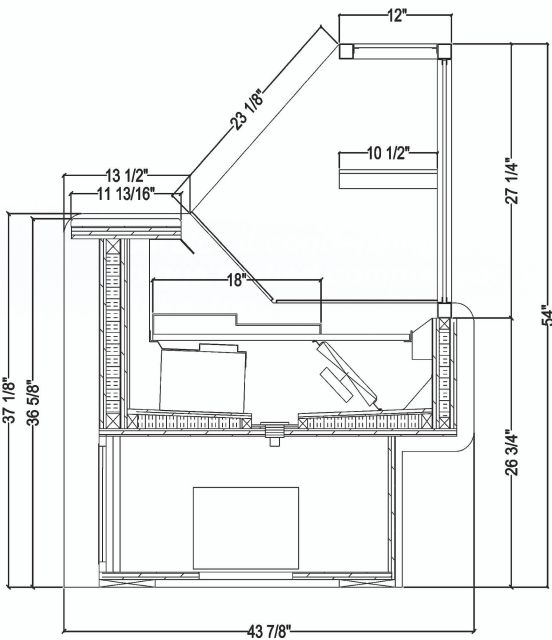
CALL TOLL FREE: 800-525-3692 (609-714-2330)

FAX: 609-714-2331 www.rpiindustries.com

220 ROUTE 70, MEDFORD, NJ 08055

  
RPI INDUSTRIES, INC. v5_24_23

MONACO COLD MODEL # SCXSSC-M3



SELF - CONTAINED

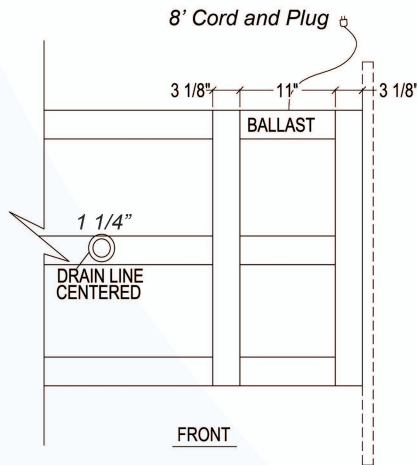
MODEL	L	D	H	HP	VOLT	AMP	PLUG	WT	REFRIG.
SCXSSC48R-M3	47 3/8	43 7/8	54	1/3	115	15.5	5-15P	375	134A
SCXSSC60R-M3	59 3/8	43 7/8	54	1/2	115	15.1	5-20P	460	134A

REMOTE - REFRIGERATED

MODEL	BTU @ 20 F	VOLT	AMP	PLUG	WT	REFRIG.
SCXSSC48R-M3-RR	2360	115	10.6	5-15P	325	Verify
SCXSSC60R-M3-RR	4140	115	11.1	5-15P	410	Verify
SCXSSC72R-M3-RR	7470	115	11.6	5-15P	500	Verify

* All electric requirements include a condensate evaporator pan.
 * 448a refrigeration available at no additional cost - please specify

UNIT SHOWN WITH OPTIONAL 18" STEP SHAM



Electrical & Plumbing locations



Conforms to UL Standard 471, and NSF Standard 7; Certified To CSA Standard C22.2 No.120

1. The SCXSSC-M3 merchandiser is designed for use in stores where ambient temperatures and humidity do not exceed 75 degrees F and 55% R.H. Locate away from direct sunlight, rapid air currents and extreme temperature changes. Exposure to air currents from ceiling fans, air conditioning diffusers, ovens, etc. will disrupt the case air curtain and refrigerated zone. Refrigerated Displays are designed to maintain pre-chilled products. Adding or loading warm products above 41 Degrees Fahrenheit can affect the temperature in the entire cabinet. Any adverse field conditions stated above will void warranty.

RPI in line with its policy to continually improve its products reserves the right to change materials and specifications without notice.

CALL TOLL FREE: 800-525-3692 (609-714-2330)

FAX: 609-714-2331 www.rpiindustries.com

220 ROUTE 70, MEDFORD, NJ 08055