

MODEL # SCXD

SPECIFICATIONS _____

The Express Deli SCXD Series is a refrigerated deli display case with a choice of standard grade plastic laminate exterior ends and lift-up curved front tempered glass for easy cleaning and stocking.



Available lengths: 44 7/8" 56 7/8" 68 7/8" 76 5/8" 89 1/4"
 Available depths: 37 1/2"
 Available heights: 50 1/2"

STANDARD FEATURES

- Self-Contained Refrigeration
- Lift-Up Curved Front Tempered Glass
- Heavy Gauge Steel Frame Base Construction
- Standard Grade Laminate Exterior
- Stainless Steel Back
- Black Base
- Brushed Aluminum Interior Vision End Panels
- LED Top Canopy Light
- (2) Stainless Steel Shelves with LED Lights
- Stainless Steel Deck Pan
- Front Air Chaser
- Thermometer
- 8' Cord and Plug
- ETL Listed in Accordance with UL471 and NSF 7 Standards
- Environmentally Safe Refrigerant
- 1 Year Parts and Labor Warranty
- Built-In Condensate Evaporator (No Floor Drain Required)
- 5 Year Compressor Warranty

OPTIONAL FEATURES

- Remote Refrigeration (floor drain required)
- Lift-Up Curved Front Insulated Glass (4' Units Only, Consult Factory)
- Stainless Steel Exterior Finish
 - #4 #6 #8
- Special Laminates
- Wood Veneers (Unfinished)
- Wood Veneers (Stained & Sealed)
- Miscellaneous Trim
- Brass Trim and Hardware
- Tempered Glass Shelves with Lights
- Wire Shelves
 - Brass White Black Chrome
- Casters (Increases Height by 4")
- Adjustable Legs (Consult Factory for Sizes)
- Mirrored Interior Ends
- See-Through Mirrored Rear Sliding Doors
- Front Glass Locks
- Rear Door Locks

NOTE: EXCEEDS STANDARD 36" DOOR OPENING FOR INSTALLATION ACCESS

CALL TOLL FREE: 800-525-3692 (609-714-2330)

FAX: 609-714-2331 www.rpiindustries.com

220 ROUTE 70, MEDFORD, NJ 08055

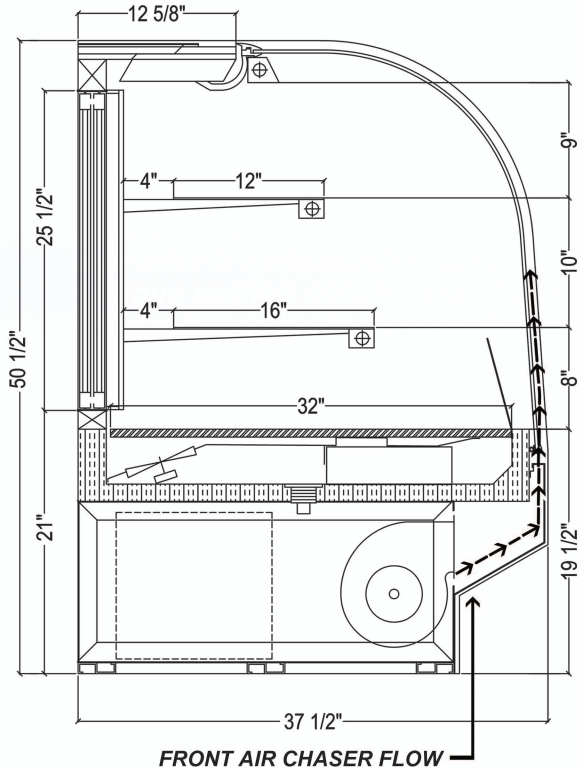


RPI INDUSTRIES, INC.



MODEL # SCXD

SELF - CONTAINED

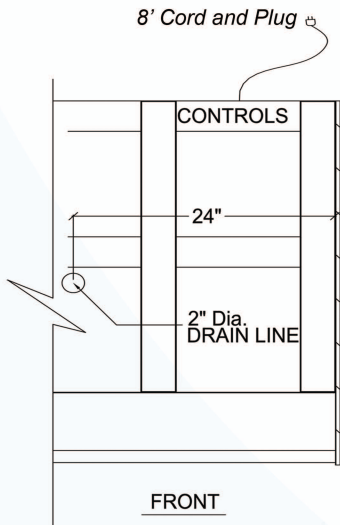


MODEL	L	D	H	HP	VOLT	AMP	PLUG	WT	REFRIG.
SCXD48R	44 7/8	37 1/2	50 1/12	1/3	115	10.3	5-15P	640	134A
SCXD60R	56 7/8	37 1/2	50 1/12	1/3	115	10.4	5-15P	740	134A
SCXD72R	68 7/8	37 1/2	50 1/12	1/2	115	15.0	5-15P	850	134A
SCXD77R	76 5/8	37 1/2	50 1/12	1/2	115	15.0	5-20P	900	134A
SCXD96R	89 1/4	37 1/2	50 1/12	1/2	115	16.0	5-20P	1175	134A

* 448a refrigeration available at no additional cost - please specify

REMOTE - REFRIGERATED

MODEL	BTU @ 20 F	VOLT	AMP	PLUG	WT	REFRIG.
SCXD48R-RR	2360	115	2.6	5-15P	580	Verify
SCXD60R-RR	2360	115	2.7	5-15P	680	Verify
SCXD72R-RR	4140	115	3.5	5-15P	790	Verify
SCXD77R-RR	4140	115	3.5	5-15P	840	Verify
SCXD96R-RR	4140	115	4.5	5-15P	1100	Verify



Conforms to UL Standard 471,
and NSF Standard 7; Certified
To CSA Standard C22.2 No.120



RPI refrigerated merchandisers configured for sale for use in the United States meet or surpass the requirements of the DOE 2017 energy efficiency standards

Electrical & Plumbing locations

1. All Remote and Glycol Units must be run to a floor drain at time of installation.
2. The SCXD merchandiser is designed for use in stores where temperature and humidity do not exceed 75 degrees F and 55% R.H. Locate away from direct sunlight, rapid air currents and extreme temperature changes. If rear doors are removed, temperature will not remain stable. Any adverse field conditions stated above will void warranty.

RPI in line with it's current policy to continually improve it's product reserves the right to change materials and specifications without notice.

CALL TOLL FREE: 800-525-3692 (609-714-2330)

FAX: 609-714-2331 www.rpiindustries.com

220 ROUTE 70, MEDFORD, NJ 08055