

MODEL # VIAS2-20-R-RR-TAC



Unit above shown with black powder coat.

SPECIFICATIONS

The Take Away Cool display consists of a lower refrigerated grab n go section with a refrigerated service top. This case is constructed with stainless steel interior and exterior and insulated glasses but also comes standard with upgraded features such as LED lights, rear sliding access doors and a rear pull out drawer for easy loading on service side. This is available for remote or self-contained applications.

Available lengths: 37 5/8" (Remote) 46 1/4" * (Self-Contained)
 Available depths: 41 7/8"
 Available heights: 52 3/4"

STANDARD FEATURES

- Remote Refrigeration
- Stainless steel interior & exterior
- Bottom display refrigerated self-serve
- Energy efficient LED lighting
- Top display refrigerated service
- Removable self-feeding display shelf
- Pull out drawer with rear-view glass for attendant loading
- Insulated Glass sides, front and top
- Insulated sliding rear doors
- 4" Adjustable feet (Adjustable 1" in height)
- Programmable digital display controller
- ETL listed, UL and NSF7
- Floor drain required

OPTIONAL FEATURES

- Self-contained refrigeration with under counter side cabinet
- Powder Coat Exterior
- Casters
- Ambient Glass top section
- EZ Change Front Glass (lifts and retracts into case for full service or self-service application.)

Self-Contained	L *	D	H	HP	VOLT	AMPS	PLUG	WT	REFRIG.
VIAS2-20-R-SQ-SC-TAC	46 1/4	41 7/8	52 3/4	1/2	115	9.0	5-15	924	R404A

Remote	L *	D	H	BTU	VOLT	AMPS	PLUG	WT	REFRIG.
VIAS2-20-R-SQ-RR-TAC	37 5/8	41 7/8	52 3/4	Top: 1041 Bottom: 2048	115	1.1	5-15	850	Verify

BTU @ 14°F

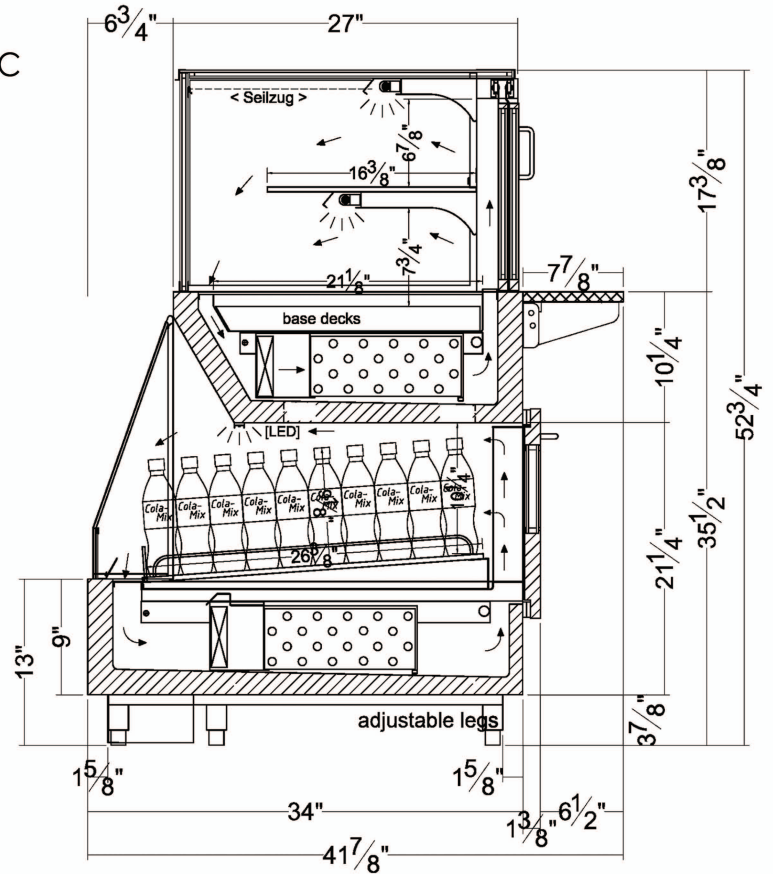
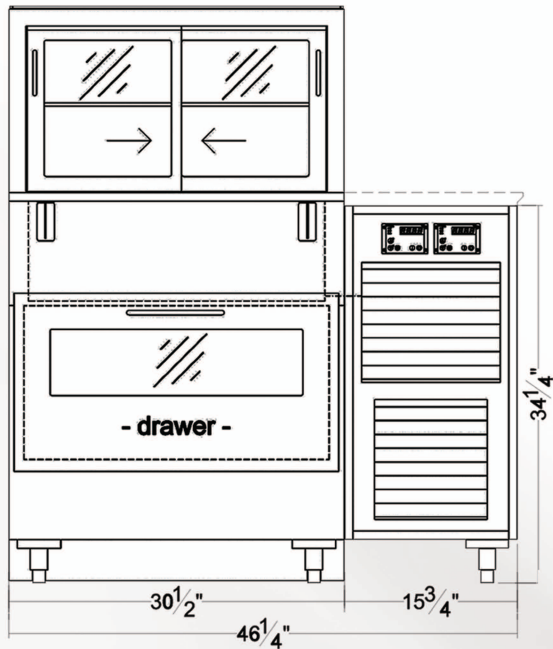
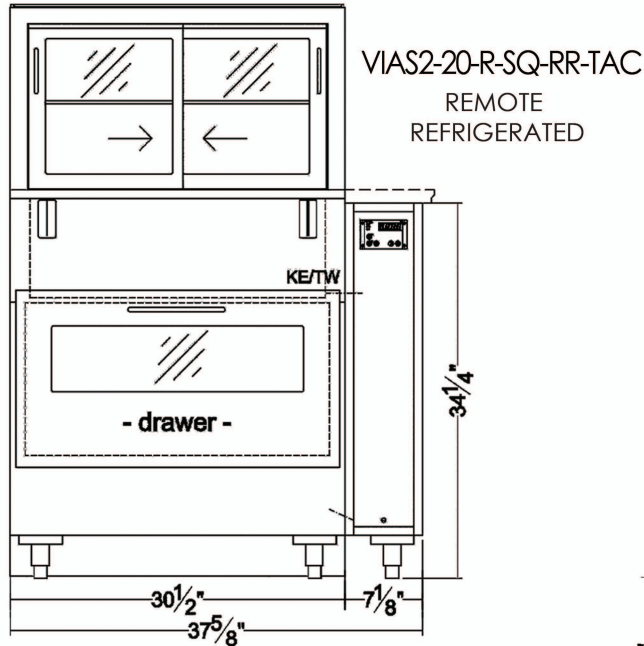
CALL TOLL FREE: 800-525-3692 (609-714-2330)
 FAX: 609-714-2331 www.rpiindustries.com
 220 ROUTE 70, MEDFORD, NJ 08055

RPI INDUSTRIES, INC. v5_26_23



Conforms to UL Standard 471, and NSF Standard 7; Certified To CSA Standard C22.2 No.120

MODEL # VIAS2-20-R-RR-TAC



* 448a refrigeration available at no additional cost - please specify

1. A 1 1/8" diameter drain is provided. The drain **MUST** be connected to a floor drain or storage container **AT TIME OF INSTALLATION**.
2. For self-contained units, ventilation louvers, **MUST** be provided in the cabinet or counter and located so to provide full ventilation for the condensing unit.
3. For remote units, customer must verify refrigerant at the time of order to ensure proper expansion valve is provided.
4. The VIAS-TAC merchandiser is designed for use in locations where temperatures and humidity do not exceed 75 degrees and 55% R.H. Locate away from direct sunlight, rapid air currents and extreme temperature changes. Exposure to air currents from ceiling fans, air conditioners, ovens, etc. will disrupt the cases air current and refrigeration zone within. Any adverse field conditions stated above will void warranty.

RPI in line with it's policy to continually improve it's product reserves the right to change materials and specifications without notice.

CALL TOLL FREE: 800-525-3692 (609-714-2330)

FAX: 609-714-2331 www.rpiindustries.com

220 ROUTE 70, MEDFORD, NJ 08055

RPI INDUSTRIES, INC. v5_26_23