

# VIENNA AIR PAN CURVED

PROJECT: \_\_\_\_\_

ITEM: \_\_\_\_\_ QUANTITY: \_\_\_\_\_

## MODEL # VIAP-CV

### SPECIFICATIONS

The Vienna Series VIAP-CV is a drop-in air pan featuring a curved design. It is cooled by circulating a curtain of refrigerated air over the product in the display area to enable precise temperature control and maximum cold transfer to the food product. Evaporator features a lift-up mechanism that allows the inner pan to be easily rinsed clean. Unit is designed to accommodate standard hotel / foodservice pans (to be purchased by others).



\* LENGTHS INCLUDE OUTSIDE FLANGES

Available lengths:  38 3/8"  55 1/4"  71 5/8"  87 1/2"

Available depths:  27 7/8"

Available heights:  25 3/4"  27 1/2 (VIAP5 ONLY)

### STANDARD FEATURES

- Self-Contained Refrigeration
- 304 Stainless Steel Exterior
- Adjustable Deck Pan to Convert to Slanted Display
- Easy Removable Deck Pans for Cleaning
- Programmable Digital Refrigeration Controller
- Pull-Out Compressor Housing
- Forced Air Cooling System
- Lift-Up Evaporator
- ETL Listed in Accordance with UL 471 and NSF 7 Standards
- Environmentally Safe Refrigerant
- 5 Year Compressor Warranty
- Floor Drain Required

### OPTIONAL FEATURES

- Remote Refrigeration
- Integrations Modular Counter (Consult Factory)
- Removable Top Trim Ring (Consult Factory)
- Sneeze Guards (Consult Factory)
- Adapter Bars for Standard Full-Size Pans (Pans Not Included)
- Front Air Ventilation Kit for Units Against Wall \*
- Rear Air Ventilation Kit \*

**\* FRONT / REAR AIR VENTILATION KITS WILL INCREASE THE TOTAL HEIGHT OF CHOSEN UNIT BY 1 7/8"**

MODEL	L*	D	H	PANS	COMP HP	VOLT	AMP	PLUG	WT	REFRIG.
VIAP2-0-R-CV-SC	38 3/8	27 7/8	25 3/4	2	1/4	120/60	3.9	5-15P	308	134A
VIAP3-0-R-CV-SC	55 1/4	27 7/8	25 3/4	3	1/3	120/60	4.7	5-15P	347	134A
VIAP4-0-R-CV-SC	71 5/8	27 7/8	25 3/4	4	3/8	120/60	6.1	5-15P	407	134A
VIAP5-0-R-CV-SC	87 1/2	27 7/8	27 1/2	5	1/2	120/60	6.9	5-15P	506	134A

1. A 1" diameter drain is provided. The drain **MUST** be run to a floor drain **AT TIME OF INSTALLATION**.
2. Ventilation louvers **MUST** be provided in the cabinet or counter and located so to provide full ventilation for the condensing unit. Refrigeration System is designed so air will flow rear to front. Unobstructed air flow must be maintained to ensure unit performance and maintain warranty.
3. RPI Merchandiser is designed for use in stores where ambient temperatures and humidity do not exceed 75 Degrees Fahrenheit and 55% R.H. Locate away from direct sunlight, rapid air currents and extreme temperature changes. Exposure to air currents from ceiling fans, air conditioning diffusers, ovens, etc. will disrupt the case air curtain and refrigerated zone. Refrigerated Displays are designed to maintain pre-chilled products. Adding or loading warm products above 41 Degrees Fahrenheit can affect the temperature in the entire cabinet Any adverse field conditions stated above will void warranty.

RPI in line with its policy to continually improve its products reserves the right to change materials and specifications without notice.



Conforms to UL Standard 471, and NSF Standard 7; Certified To CSA Standard C22.2 No. 120

CALL TOLL FREE: 800-525-3692 (609-714-2330)

FAX: 609-714-2331 [www.rpiindustries.com](http://www.rpiindustries.com)

220 ROUTE 70, MEDFORD, NJ 08055

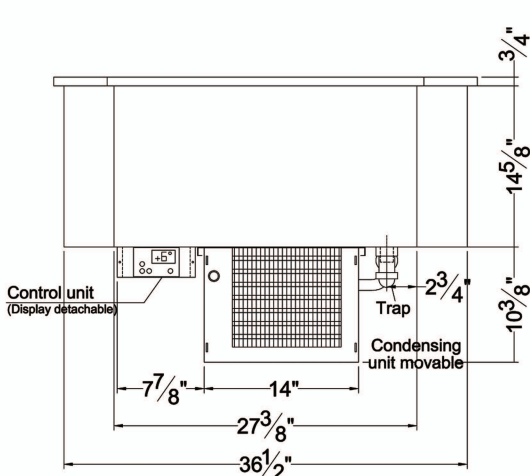
**RPI** INDUSTRIES, INC. v5\_26\_23

# VIENNA AIR PAN CURVED

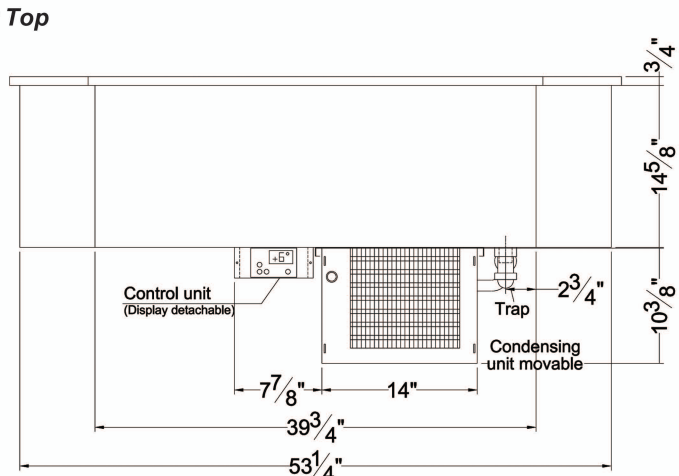
**MODEL # VIAP-CV**

**PROJECT:** \_\_\_\_\_

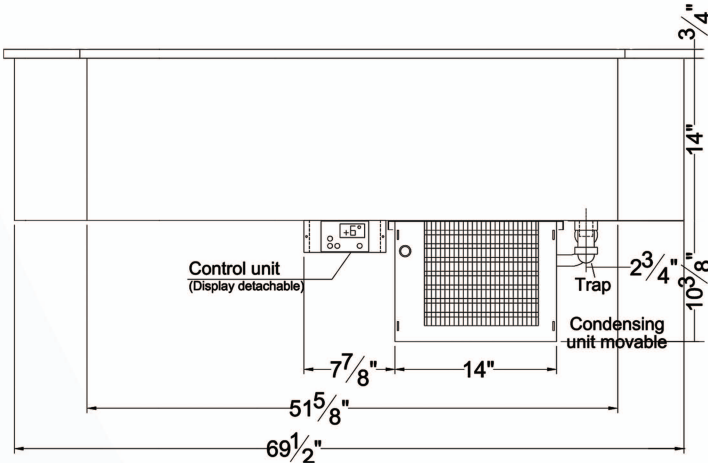
**TOLL FREE: 800-525-3692**



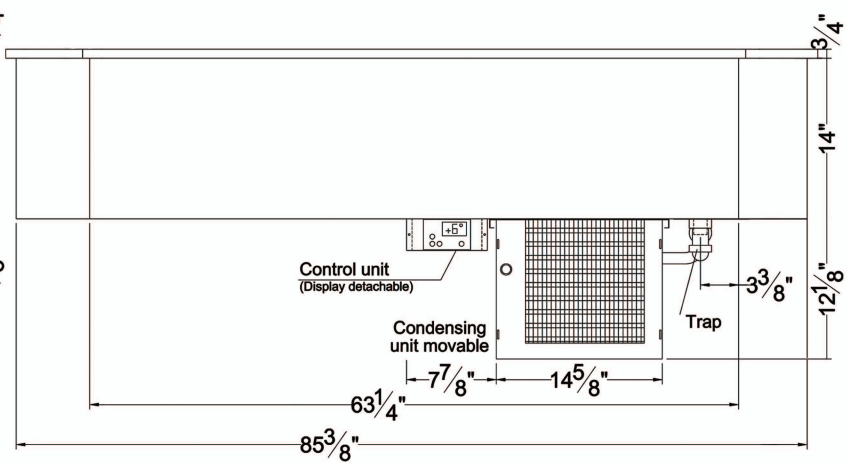
**VIAP2-0-R-CV-SC**



**VIAP3-0-R-CV-SC**



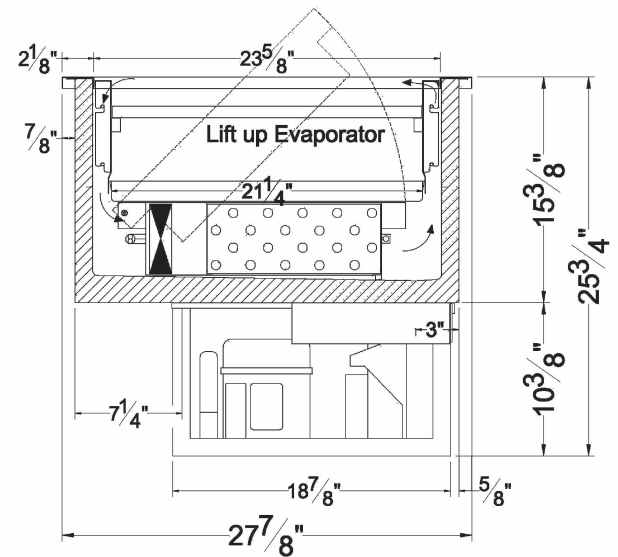
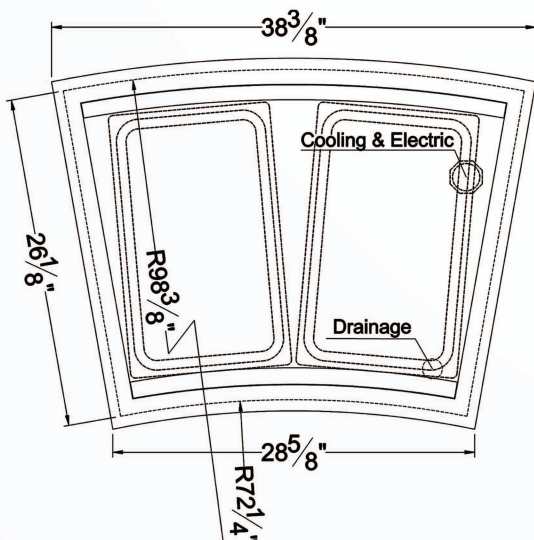
**VIAP4-0-R-CV-SC**



**VIAP5-0-R-CV-SC**

**Electrical & Plumbing locations**

2 1/2" HOLE REQUIRED FOR COOLING AND DRAINAGE LINES



\* 448a refrigeration available at no additional cost - please specify

CALL TOLL FREE: 800-525-3692 (609-714-2330)

FAX: 609-714-2331 [www.rpiindustries.com](http://www.rpiindustries.com)

220 ROUTE 70, MEDFORD, NJ 08055