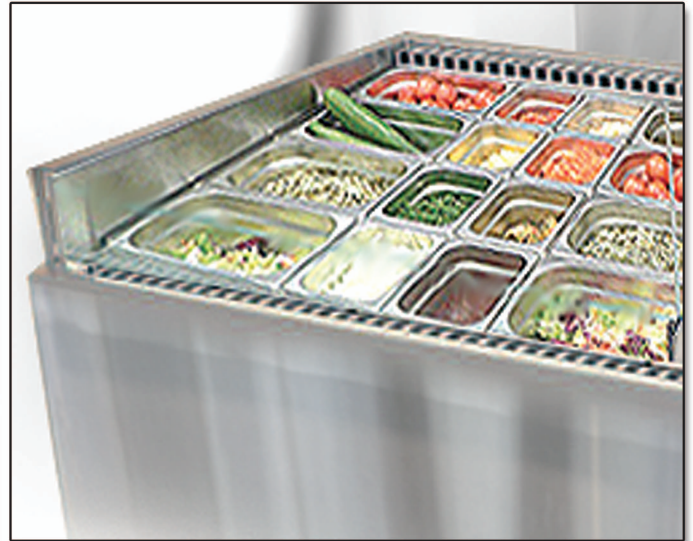


MODEL # VIAP (SLANT) SLIDE-IN STYLE

SPECIFICATIONS

The Vienna Series VIAP Slant Display is a slide-in style air pan unit. It is cooled by circulating a curtain of refrigerated air over the product in the display area to enable precise temperature control and maximum cold transfer to the food product. Evaporator features a lift-up mechanism that allows the inner pan to be easily rinsed clean. Unit is designed to accommodate standard hotel / food service pans (to be purchased by others) and features adjustable deck pans for slant presentation.

Available lengths: 41 3/8" 54 1/8" 66 7/8"
Available depths: 27"
Available heights: 30 3/8"



STANDARD FEATURES

- Self-Contained Refrigeration
- 304 Stainless Steel Exterior
- Adjustable Deck Pan to Convert to Slanted Display
- Easy Removable Deck Pans for Cleaning
- Programmable Digital Refrigeration Controller
- Front Air-Dam Glass Panel
- Forced Air Cooling System
- Rear Breathing
- Lift-Up Evaporator
- ETL Listed in Accordance with UL 471 and NSF 7 Standards
- Environmentally Safe Refrigerant
- 5 Year Compressor Warranty
- Floor Drain Required

OPTIONAL FEATURES

- Remote Refrigeration
- Integrations Modular Counter (Consult Factory)
- Sneeze Guards (Consult Factory)
- Adapter Bars for Standard Full-Size (1/1) Pans (Pans Not Included)
- Rear Cutting Board
- Adjustable Casters (Consult Factory for Sizes)
- Adjustable Legs (Consult Factory for Sizes)
- Front Air Ventilation Kit for Units Against Wall
- Hot Gas Evaporation (self-contained only)
- Condensate Evaporator Pan (consult factory)

MODEL	L	D	H	PANS	HP	VOLT	AMP	PLUG	WT	REFRIG.
VIAP3-0-R-SC (SLANT)	41 3/8	27	30 3/8	10	1/3	115	4.70	5-15P	360	134A
VIAP4-0-R-SC (SLANT)	54 1/8	27	30 3/8	12	3/8	115	6.10	5-15P	430	134A
VIAP5-0-R-SC (SLANT)	66 7/8	27	30 3/8	13	1/2	115	6.90	5-15P	530	134A

1. A 1" diameter drain is provided. The drain **MUST** be run to a floor drain **AT TIME OF INSTALLATION**.
2. Ventilation louvers **MUST** be provided in the cabinet or counter and located so to provide full ventilation for the condensing unit. Refrigeration System is designed so air will flow in and out of the rear service side. Unobstructed air flow must be maintained to ensure unit performance and maintain warranty.
3. RPI Merchandiser is designed for use in stores where ambient temperatures and humidity do not exceed 75 Degrees Fahrenheit and 55% R.H. Locate away from direct sunlight, rapid air currents and extreme temperature changes. Exposure to air currents from ceiling fans, air conditioning diffusers, ovens, etc. will disrupt the case air curtain and refrigerated zone. Refrigerated Displays are designed to maintain pre-chilled products. Adding or loading warm products above 41 Degrees Fahrenheit can affect the temperature in the entire cabinet. Any adverse field conditions stated above will void warranty.

RPI in line with its policy to continually improve its products reserves the right to change materials and specifications without notice.



Conforms to UL Standard 471, and NSF Standard 7; Certified To CSA Standard C22.2 No.120

CALL TOLL FREE: 800-525-3692 (609-714-2330)

FAX: 609-714-2331 www.rpiindustries.com

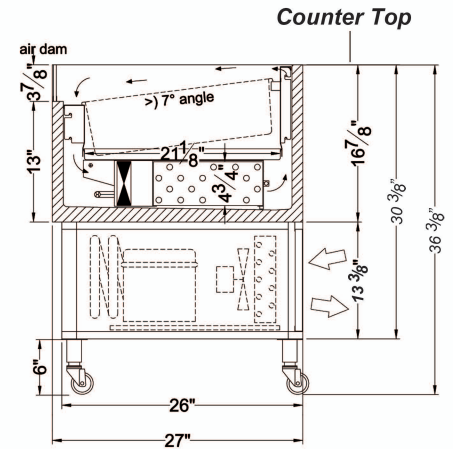
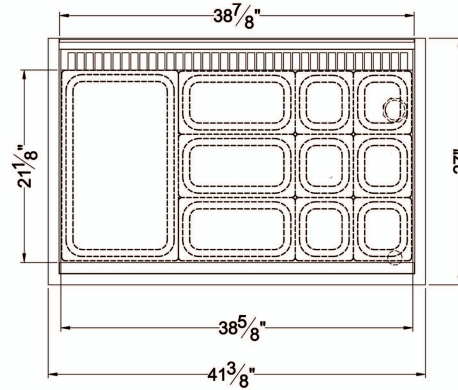
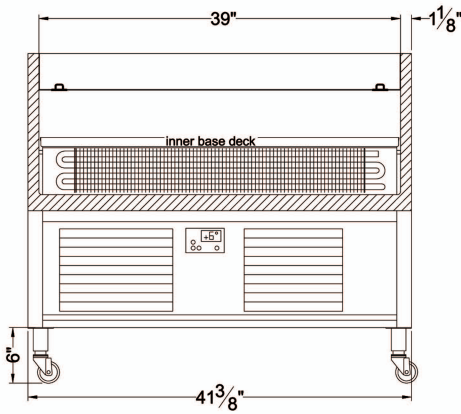
220 ROUTE 70, MEDFORD, NJ 08055

RPI INDUSTRIES, INC. v5_26_23

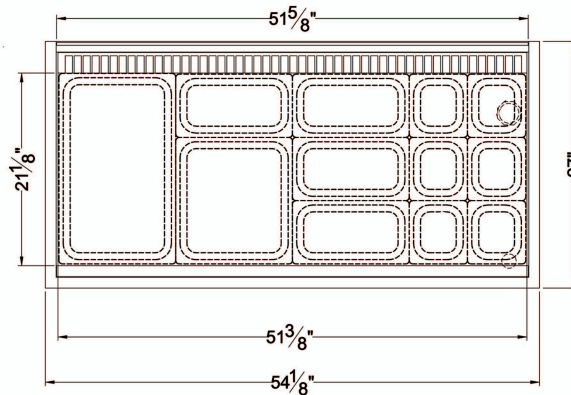
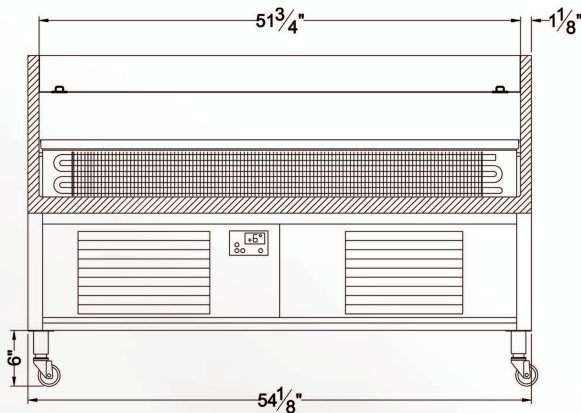
VIENNA AIR PAN

PROJECT:
TOLL FREE: 800-525-3692

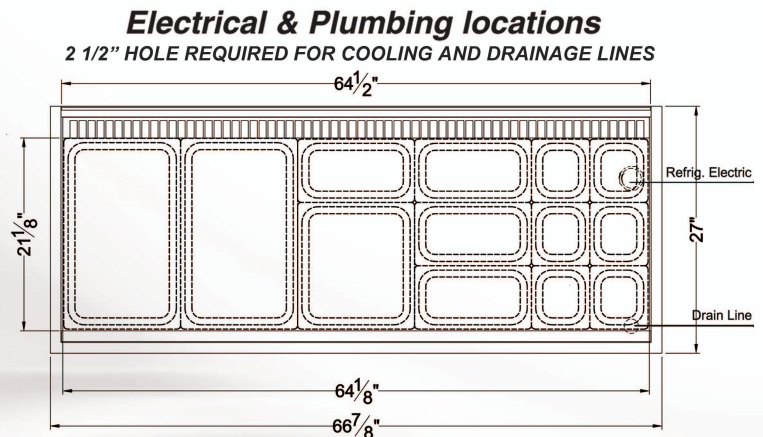
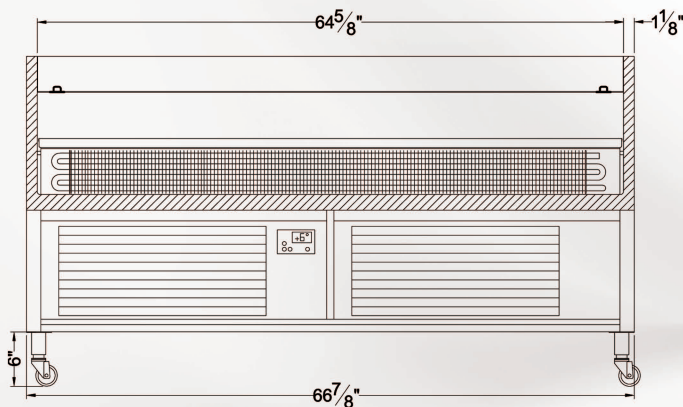
MODEL # VIAP (SLANT) SLIDE-IN STYLE



VIAP3-0-R-SC (SLANT)



VIAP4-0-R-SC (SLANT)



VIAP5-0-R-SC (SLANT)

* 448a refrigeration available at no additional cost - please specify

CALL TOLL FREE: 800-525-3692 (609-714-2330)

FAX: 609-714-2331 www.rpiindustries.com

220 ROUTE 70, MEDFORD, NJ 08055

RPI INDUSTRIES, INC. v5_26_23