

# VIENNA AIR PAN

**PROJECT:** \_\_\_\_\_  
**ITEM:** \_\_\_\_\_ **QUANTITY:** \_\_\_\_\_

## MODEL # VIAP

### SPECIFICATIONS

The Vienna Series VIAP is a drop-in air pan. It is cooled by circulating a curtain of refrigerated air over the product in the display area to enable precise temperature control and maximum cold transfer to the food product. Evaporator features a lift-up mechanism that allows the inner pan to be easily rinsed clean. Unit is designed to accommodate standard hotel / foodservice pans (to be purchased by others).

- Available lengths:  30 3/8"  43 1/8"  55 7/8"  68 3/4"  81 1/2"  
 Available depths:  27 3/4"  
 Available heights:  25 3/4"  27 1/2" (VIAP5 & VIAP6 ONLY)



### STANDARD FEATURES

- 304 Stainless Steel Exterior
- Adjustable Deck Pan to Convert to Slanted Display
- Easy Removable Deck Pans for Cleaning
- Programmable Digital Refrigeration Controller
- Self-Contained Refrigeration with Pull-Out Compressor Housing
- Forced Air Cooling System
- Lift-Up Evaporator
- ETL Listed in Accordance with UL 471 and NSF 7 Standards
- Environmentally Safe Refrigerant
- 5 Year Compressor Warranty
- Floor Drain Required

### OPTIONAL FEATURES

- Remote Refrigeration
- Integrations Modular Counter (Consult Factory)
- Sneeze Guards (Consult Factory)
- Adapter Bars for Standard Full-Size Pans (Pans Not Included)
- Front Air Ventilation Kit for Units Against Wall \*
- Rear Air Ventilation Kit \*
- Hot Gas Evaporation (self-contained only)
- Condensate Evaporator Pan (Consult Factory)

**\* FRONT / REAR AIR VENTILATION KITS WILL INCREASE THE TOTAL HEIGHT OF CHOSEN UNIT BY 1 7/8"**



Conforms to UL Standard 471, and NSF Standard 7; Certified To CSA Standard C22.2 No. 120

MODEL	L	D	H	PANS	HP	VOLT	AMP	PLUG	WT	REFRIG.	CUT-OUT SIZE
VIAP2-0-R-SC	30 3/8	27 3/4	25 3/4	2	1/4	115	3.9	5-15P	308	R448A	28 3/4 x 26 1/4
VIAP3-0-R-SC	43 1/8	27 3/4	25 3/4	3	1/3	115	4.7	5-15P	341	R448A	41 5/8 x 26 1/4
VIAP4-0-R-SC	55 7/8	27 3/4	25 3/4	4	3/8	115	6.1	5-15P	407	R448A	54 3/8 x 26 1/4
VIAP5-0-R-SC	68 3/4	27 3/4	27 1/2	5	1/2	115	6.9	5-15P	506	R448A	67 1/8 x 26 1/4
VIAP6-0-R-SC	81 1/2"	27 3/4	27 1/2	6	1/2	208-230	3.4	L14-20P	572	R448A	80 1/8 x 26 1/4

1. A 1" diameter drain is provided. The drain **MUST** be run to a floor drain **AT TIME OF INSTALLATION**.
2. Front and Rear ventilation louvers, **MUST** be provided in the cabinet or counter and located so to provide full ventilation for the condensing unit. Refrigeration System is designed so air will flow rear to front. Unobstructed air flow must be maintained to ensure unit performance and maintain warranty.
3. RPI Merchandiser is designed for use in stores where ambient temperatures and humidity do not exceed 75 Degrees Fahrenheit and 55% R.H. Locate away from direct sunlight, rapid air currents and extreme temperature changes. Exposure to air currents from ceiling fans, air conditioning diffusers, ovens, etc. will disrupt the case air curtain and refrigerated zone. Refrigerated Displays are designed to maintain pre-chilled products. Adding or loading warm products above 41 Degrees Fahrenheit can affect the temperature in the entire cabinet. Any adverse field conditions stated above will void warranty.

RPI in line with its policy to continually improve its products reserves the right to change materials and specifications without notice.

CALL TOLL FREE: 800-525-3692 (609-714-2330)

FAX: 609-714-2331 [www.rpiindustries.com](http://www.rpiindustries.com)

220 ROUTE 70, MEDFORD, NJ 08055

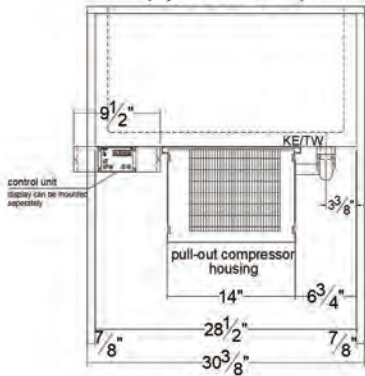


# VIENNA AIR PAN

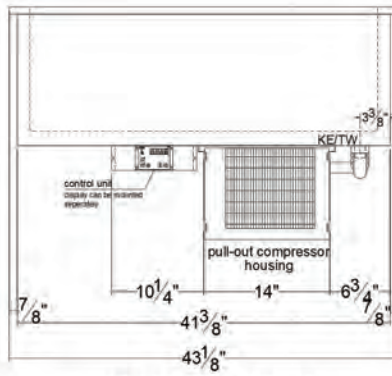
**PROJECT:** \_\_\_\_\_  
**TOLL FREE: 800-525-3692**

## MODEL # VIAP

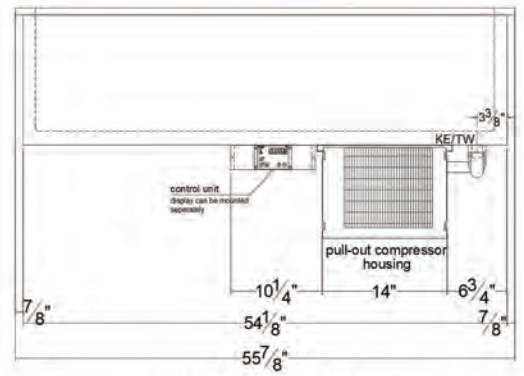
(operator side) Counter Top



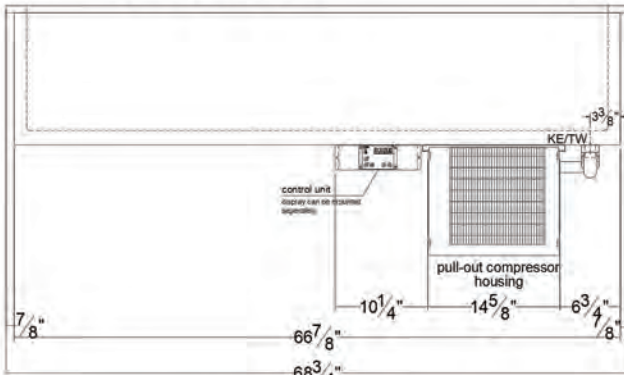
**VIAP2-0-R-SC**



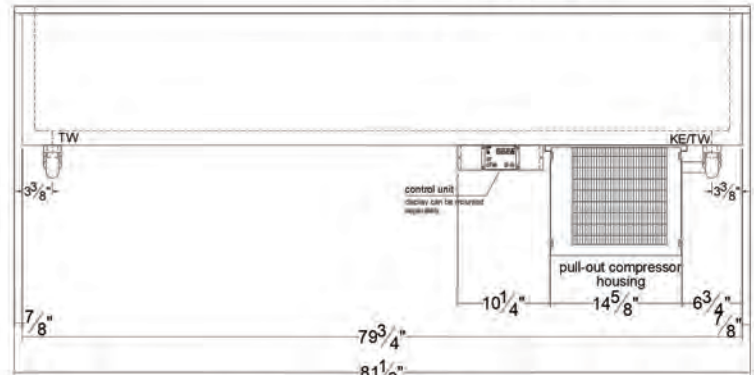
**VIAP3-0-R-SC**



**VIAP4-0-R-SC**

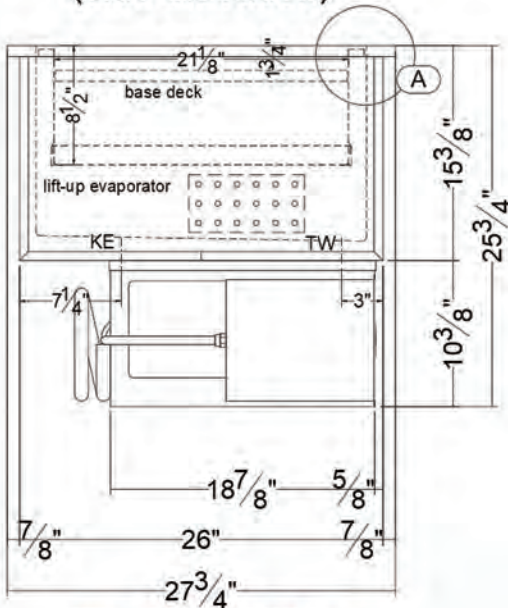


**VIAP5-0-R-SC**



**VIAP6-0-R-SC**

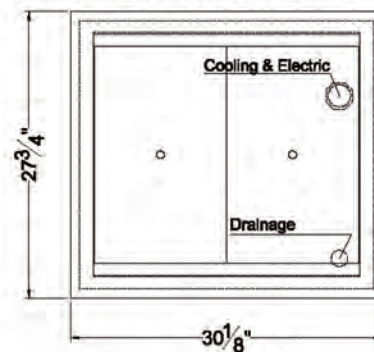
(side elevation)



\* Note - on the VIAP 5 & VIAP6 sizes  
the compressor height increases from  
10 3/8" to 12 1/4"

## Electrical & Plumbing locations

2 1/2" HOLE REQUIRED FOR COOLING AND DRAINAGE LINES



CALL TOLL FREE: 800-525-3692 (609-714-2330)

FAX: 609-714-2331 [www.rpiindustries.com](http://www.rpiindustries.com)

220 ROUTE 70, MEDFORD, NJ 08055

**RPI INDUSTRIES, INC.** v10\_19\_23