

VIENNA SNACKEE PULL OUT BASE (SELF CONTAINED)

PROJECT: _____
ITEM: _____ **QUANTITY:** _____

MODEL # VIAS-20-R-SL-SC-LP SNACKEE

SPECIFICATIONS

The Vienna Series VIAS-20-R-SL-SC-LP Snackee self service under counter Grab and Go refrigerated display with easy slide pull out door for service side loading with removable/adjustable self-feeding rack. The compressor located on the side of the cabinet is designed to be built into a counter. Standard legs can be switched for casters if preferred.



Available lengths: 39 3/8" 46 1/4"
 Available depths: 35 3/8"
 Available heights: 28 3/4"

STANDARD FEATURES

- Self-Contained refrigeration
- Stainless steel exterior and interior
- Self service front display
- Removable self feeding display shelf
- Pull out rear door for attendant loading
- Energy efficient LED lighting
- Programmable digital display controller
- Legs & plinth panel
- ETL listed in accordance with UL 471 and NSF 7 standards
- Rear Breathing
- Automatic evaporation via hot gas

OPTIONAL FEATURES

- Remote refrigeration (floor drain required)
- Powder coat finish
- Casters
- Water cooled condensing unit

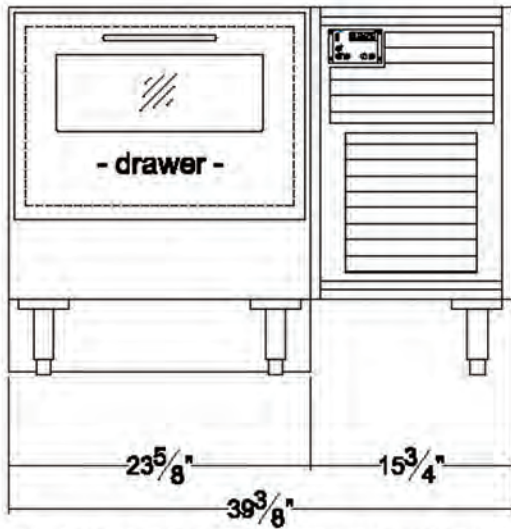
MODEL	L	D	H	HP	VOLT	AMP	PLUG	WT	REFRIG.
VIAS1-20-SL-SC-LP - Snackee	39 3/8	35 3/8	28 3/4	1/3	115V	5.4	5-15P	560	R448A
VIAS2-20-SL-SC-LP - Snackee	46 1/4	35 3/8	28 3/4	1/2	115V	6.9	5-15P	600	R448A

CALL TOLL FREE: 800-525-3692 (609-714-2330)
 FAX: 609-714-2331 www.rpiindustries.com
 220 ROUTE 70, MEDFORD, NJ 08055

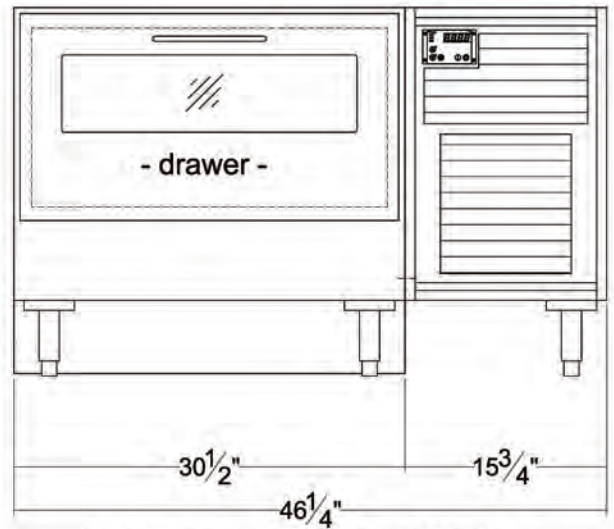
RPI INDUSTRIES, INC. v10_19_23



MODEL # VIAS-20-R-SL-SC-LP SNACKEE

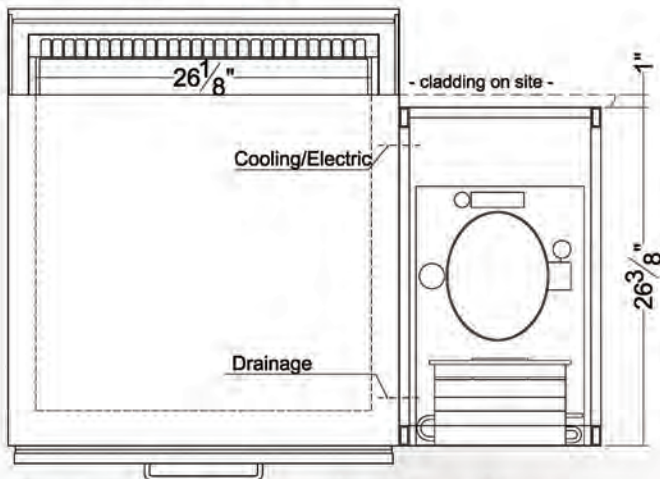


VIAS1-20-R-SL-SC-LP SNACKEE



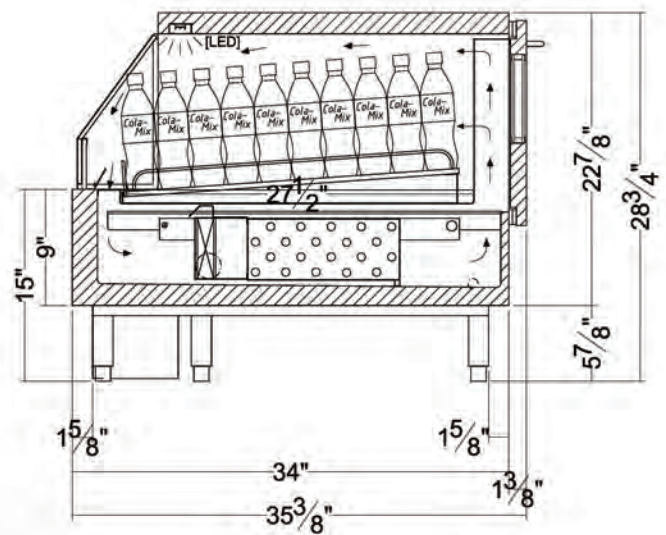
VIAS2-20-R-SL-SC-LP SNACKEE

(floor plan)



Electrical & Plumbing locations

2 1/2" HOLE REQUIRED FOR COOLING AND DRAINAGE LINES



SELF-CONTAINED UNIT SHOWN

1. A 1 1/8" diameter drain is provided. The drain **MUST** be connected to a floor drain or storage container **AT TIME OF INSTALLATION**.
2. Rear ventilation louvers, **MUST** be provided in the cabinet or counter and located so to provide full ventilation for the condensing unit.
3. The VIAS LP merchandiser is designed for use in locations where temperatures and humidity do not exceed 75 degrees and 55% R.H. Locate away from direct sunlight, rapid air currents and extreme temperature changes. Exposure to air currents from ceiling fans, air conditioners, ovens, etc. will disrupt the cases air current and refrigeration zone within. Any adverse field conditions stated above will void warranty.

RPI in line with it's policy to continually improve it's product reserves the right to change materials and specifications without notice.

CALL TOLL FREE: 800-525-3692 (609-714-2330)

FAX: 609-714-2331 www.rpiindustries.com

220 ROUTE 70, MEDFORD, NJ 08055