

MODEL # VIAS-SQ NOS

SPECIFICATIONS

The Vienna Series VIAS-SQ NOS Slide-in style is a self-service "Grab and Go" style refrigeration merchandiser, featuring a Squared glass profile with insulated glass top and side panels. Unit is modified to include rear air ventilation kit, rear door locks, and removable locking night cover as standard features.

Available lengths: 31 1/2"
 Available depths: 27 3/8"
 Available (above counter) heights: 21 1/4"



STANDARD FEATURES

- Self-Contained Refrigeration
- Squared Glass Profile
- 304 Stainless Steel Exterior
- Insulated Glass Top and Side Panels
- Lockable Hinged Rear See-through Access Doors
- (1) Adjustable Glass Shelf with Lights
- Energy Efficient LED Lighting
- Removable Acrylic Locking Night Cover
- Easy Removable Deck Pans for Cleaning
- Programmable Digital Refrigeration Controller
- Rear Air Ventilation Kit
- Fan Assisted Cooling System
- Lift-Up Evaporator
- ETL Listed in Accordance with UL 471 and NSF 7 Standards
- Environmentally Safe Refrigerant
- 5 Year Compressor Warranty
- Floor Drain Required

OPTIONAL FEATURES

- Drop-In Style (Consult Factory for Additional Information)
- Remote Refrigeration
- Integrations Modular Counter (Consult Factory)
- Adjustable Legs & Casters (Slide-In Style Units)
 - 6" Legs 8" Legs 6" Casters

MODEL	L	D	H	HP	VOLT	AMPS	PLUG	WT	REFRIG.	DROP IN C/O SIZE	SLIDE IN C/O SIZE
VIAS2-20-R-SQ-SC NOS	31 1/2	27 3/8	21 1/4	1/2	115	8.8	5-15P	462	R448A	29 1/4 x 26 3/8	29 1/4 x VARIES

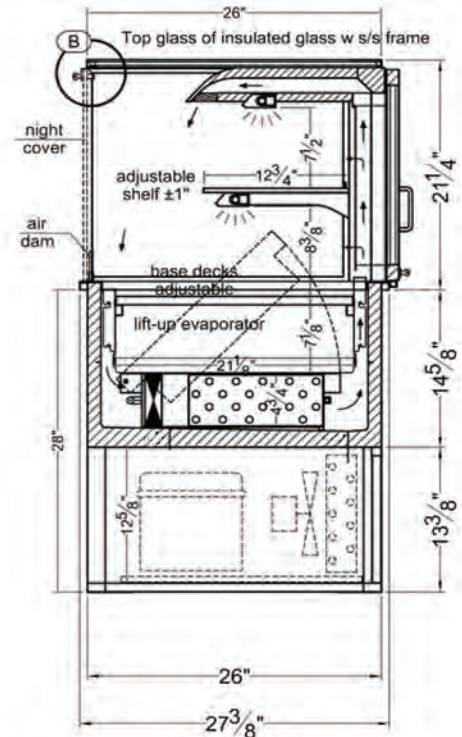
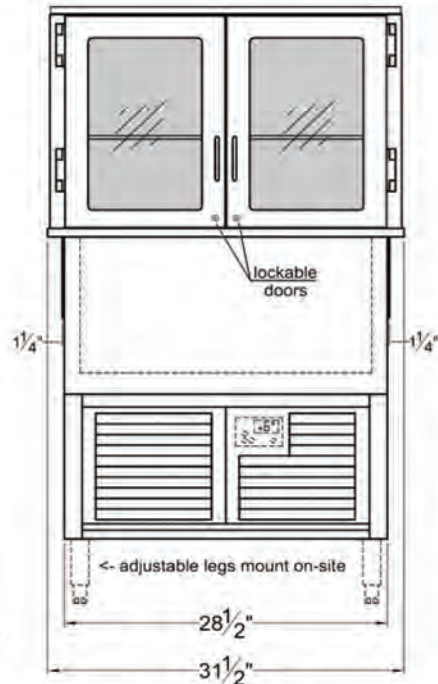


Conforms to UL Standard 471, and NSF Standard 7; Certified To CSA Standard C22.2 No.120

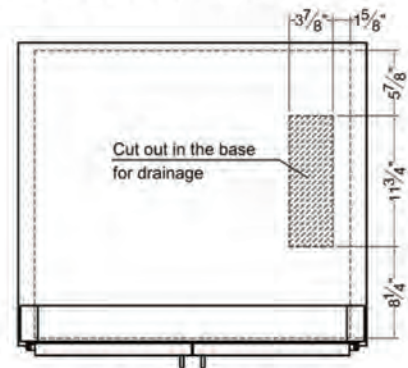
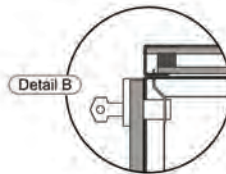
MODEL # VIAS-SQ NOS



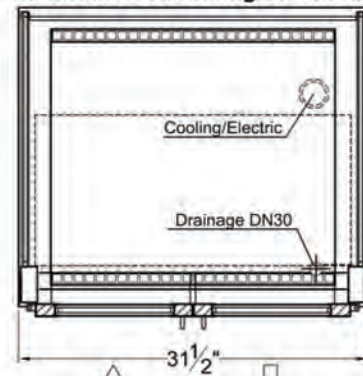
VIAS2-20-R-SQ-SC NOS



LARGEST DIMENSION REPRESENTS OUTSIDE FLANGE



Electrical & Plumbing locations



Ventilation on service side

1. A 1" diameter drain is provided. The drain **MUST** be connected to a floor drain or storage container **AT TIME OF INSTALLATION**.
2. Ventilation louvers, each at least 25" W x 20" H, **MUST** be provided in the cabinet or counter and located so to provide full ventilation for the condensing unit. Refrigeration system is designed for air to flow in and out of the rear service side.
3. The VIAS-SQ NOS merchandiser is designed for use in locations where temperatures and humidity do not exceed 75 degrees and 55% R.H. Locate away from direct sunlight, rapid air currents and extreme temperature changes. Exposure to air currents from ceiling fans, air conditioners, ovens, etc. will disrupt the cases air current and refrigeration zone within. Any adverse field conditions stated above will void warranty.

RPI in line with it's policy to continually improve it's product reserves the right to change materials and specifications without notice.

CALL TOLL FREE: 800-525-3692 (609-714-2330)

FAX: 609-714-2331 www.rpiindustries.com

220 ROUTE 70, MEDFORD, NJ 08055