

VIENNA PRO COLD DISPLAY SERIES

PROJECT: _____
ITEM: _____ **QUANTITY:** _____

MODEL # VICD-SL INS PRO

SPECIFICATIONS

The Vienna PRO Series VICD-R-SL-INS PRO is a full service self contained rear breathing refrigerated merchandiser with a stainless steel exterior / interior and tube steel constructed base. Features include a slanted glass profile with double insulated glass front, top and sides, 2 glass shelves and Energy efficient LED lighting under each shelf and top canopy. The unit is available in two lengths, designed as free-standing, and with a base to accommodate optional flex series panel system. Units can also be used as a slide-in style display, with optional trim-flange and legs.



UNIT SHOWN WITH OPTIONAL FLEX SERIES PANELING

- Available lengths: 31 1/8" 43 7/8"
 Available depths: 27 3/8"
 Available heights: 27 3/8" (Display Area)

UNITS CAN BE DESIGNED FOR CONTINUAL **MODULAR SHOWCASE LINE-UPS!**

STANDARD FEATURES

- Self-contained refrigeration
- Slanted glass profile
- **Top Display Area:** Grey Trim Glass with #4 stainless steel interior & exterior
- PRO Series base finished in #4 stainless steel
- Insulated glass sides
- Insulated Tilt-Out front & Lift-up top glass panels
- Closed front for service application
- Hinged rear see-through access doors
- 2 Interior glass shelves
- Energy efficient LED lighting
- Programmable digital display controller
- 6' Cord & Plug
- Adjustable Levelers
- ETL listed in accordance with UL 471 and NSF 7 standards
- Environmentally safe refrigerant
- 5 Year Compressor Warranty
- Floor Drain Required

OPTIONAL FEATURES

- Remote Refrigeration
- Powder Coat Exterior (20 Available colors, see color chart)
- #8 Mirror Polished Stainless Steel Exterior Trim
- 3 Sided Trim Flange ***
- Flex Series Paneling Profiles:
 - FP (Full Front) HP (Half Front) HT (Half Tapered)
- Flex Series Flat Paneling Finish Options:
 - #4 Brushed Stainless Steel #8 Mirror Polished Stainless Steel
 - Laminate Wood Veneer
- 6" Casters *
- 6" Adjustable Legs *
- 8" Adjustable Legs *

| Self-Contained | L | D | H | VOLT | AMP | PLUG | WT | REFRIG. | CUT-OUT SIZES** |
|------------------------|--------|--------|--------|------|-----|-------|-----|---------|-----------------|
| VICD27-R-SL-SC-INS PRO | 31 1/8 | 27 3/8 | 27 3/8 | 115 | 5.7 | 5-15P | 504 | R448A | 31 3/8 x 27 5/8 |
| VICD37-R-SL-SC-INS PRO | 43 7/8 | 27 3/8 | 27 3/8 | 115 | 6.0 | 5-15P | 548 | R448A | 44 1/8 x 27 5/8 |

| Remote | L | D | H | VOLT | BTU | AMP | PLUG | WT | REFRIG. | CUT-OUT SIZES** |
|------------------------|--------|--------|--------|------|------|-----|-------|-----|---------|-----------------|
| VICD27-R-SL-RR-INS PRO | 31 1/8 | 27 3/8 | 27 3/8 | 115 | 1263 | 1.2 | 5-15P | 474 | R448A | 31 3/8 x 27 5/8 |
| VICD37-R-SL-RR-INS PRO | 43 7/8 | 27 3/8 | 27 3/8 | 115 | 1638 | 1.5 | 5-15P | 518 | R448A | 44 1/8 x 27 5/8 |

* **NOTE / IMPORTANT:** ADD 6" ADJUSTABLE LEGS / 6" CASTERS for 34" COUNTER HEIGHT / ADD 8" ADJUSTABLE LEGS for 36" COUNTER HEIGHT
 ** **CUT-OUT SIZES FOR SLIDE-IN APPLICATION** *** **SLIDE-IN STYLE UNIT TO INCLUDE NON-WEIGHT BEARING TRIM FLANGE**

PRO SERIES IS NOT AVAILABLE IN DROP-IN STYLE

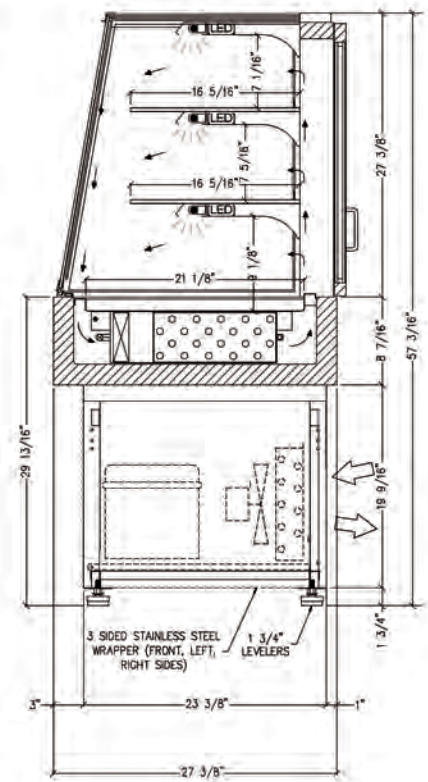
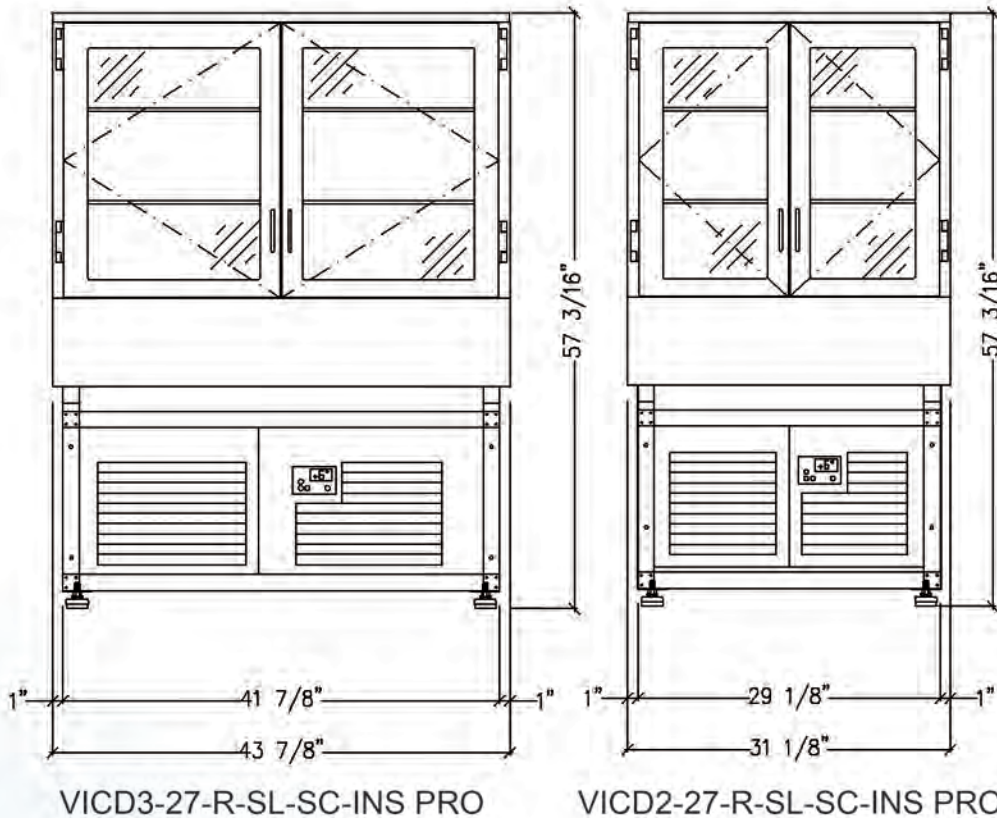


Conforms to UL Standard 471, and NSF Standard 7; Certified To CSA Standard C22.2 No.120

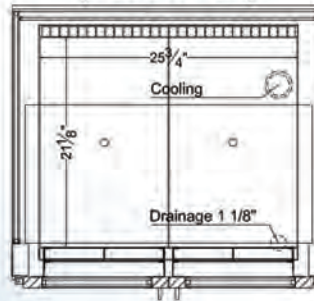
CALL TOLL FREE: 800-525-3692 (609-714-2330)
 FAX: 609-714-2331 www.rpiindustries.com
 220 ROUTE 70, MEDFORD, NJ 08055

RPI INDUSTRIES, INC. v10_19_23

MODEL # VICD-SL INS PRO



(FLOOR Plan)



Electrical & Plumbing locations

(2 1/2" HOLE REQUIRED FOR COOLING AND DRAINAGE LINES)

1. A 1 1/8" diameter drain is provided. The drain **MUST** be connected to a floor drain or storage container **AT TIME OF INSTALLATION**.
2. For self-contained units, ventilation louvers, **MUST** be provided in the cabinet or counter and located so to provide full ventilation for the condensing unit.
3. For remote units, customer must verify refrigerant at the time of order to ensure proper expansion valve is provided.
4. The PRO merchandiser is designed for use in locations where temperatures and humidity do not exceed 75 degrees and 55% R.H. Locate away from direct sunlight, rapid air currents and extreme temperature changes. Exposure to air currents from ceiling fans, air conditioners, ovens, etc. will disrupt the cases air current and refrigeration zone within. Any adverse field conditions stated above will void warranty.

RPI in line with it's policy to continually improve it's product reserves the right to change materials and specifications without notice.

CALL TOLL FREE: 800-525-3692 (609-714-2330)

FAX: 609-714-2331 www.rpiindustries.com

220 ROUTE 70, MEDFORD, NJ 08055

RPI INDUSTRIES, INC. v10_19_23