

VIENNA COUNTER SLIDE-IN STYLE

PROJECT: _____

ITEM: _____ QUANTITY: _____

MODEL # VICD-SQ MES

SPECIFICATIONS

The Vienna Series VICD-SQ MES is a very clean, very simple way to increase sales by utilizing a slide-in style refrigerated display, with a front counter. The unit features a rear slide-out drawer for easy access to product. Interior sides and rear of the unit come in a brushed-stainless finish. Unit comes standard with insulated glass and lift-up top glass.

Available lengths: 36 1/4" 52 1/8"

Available depths: 28 7/8"

Available heights: 30"



STANDARD FEATURES

- Rear Slide-Out Drawer for Easy Access (Operator Side)
- Finished with #4 Brushed Stainless Steel Interior
- Top LED Canopy Light
- Lift-Up Top Glass
- Insulated Glass Top, Front & Ends
- Base Cabinet Sides & Rear Stainless Steel Finished
- Rear Air Ventilation Kit
- Programmable Digital Refrigeration Controller
- Self-Contained Refrigeration with Slide-In base
- Fan Assisted Cooling System
- Lift-Up Evaporator
- 7' Cord & Plug
- ETL Listed in Accordance with UL 471 and NSF 7Standards
- Environmentally Safe Refrigerant
- 5 Year Compressor Warranty
- Built In Condensate Evaporator Pan
- (No Floor Drain Required)

OPTIONAL FEATURES

- Remote Refrigeration
- Integrations Modular Counter (Consult Factory)
- Mirror Finished Interior Sides
- Adjustable Legs & Casters
 - 4" Legs 6" Legs 8" Legs 6" Casters

Self-Contained	L	D	H	HP	VOLT	AMP	PLUG	WT	REFRIG.
VICD2-20-R-SQ-SC MES	36 1/4	28 7/8	30	1/4	115	4.9	5-15P	484	134A
VICD3-20-R-SQ-SC MES	52 1/8	28 7/8	30	1/3	115	5.7	5-15P	550	134A
Remote	L	D	H	BTU @ 14°F	VOLT	AMP	PLUG	WT	REFRIG.
VICD2-20-R-SQ-RR MES	36 1/4	28 7/8	30	1041	115	0.6	5-15P	444	Verify
VICD3-20-R-SQ-RR MES	52 1/8	28 7/8	30	1380	115	0.8	5-15P	510	Verify

CALL TOLL FREE: 800-525-3692 (609-714-2330)

FAX: 609-714-2331 www.rpiindustries.com

220 ROUTE 70, MEDFORD, NJ 08055



Conforms to UL Standard 471, and NSF Standard 7; Certified To CSA Standard C22.2 No.120

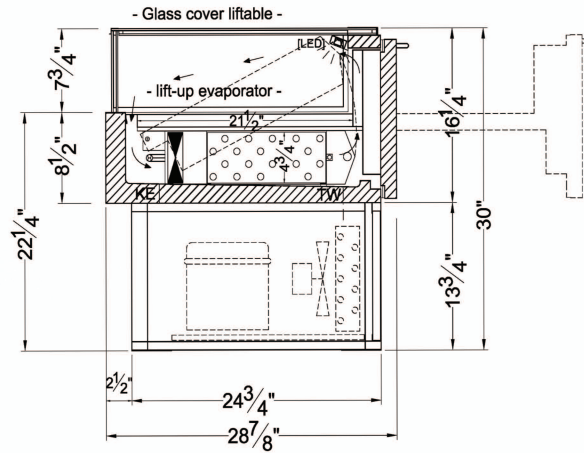
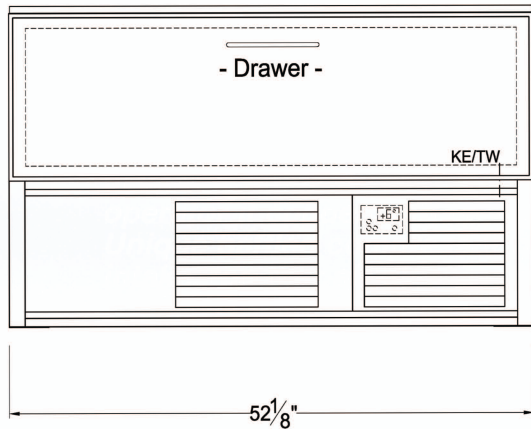
RPI INDUSTRIES, INC. v5_25_23

VIENNA COUNTER SLIDE-IN STYLE

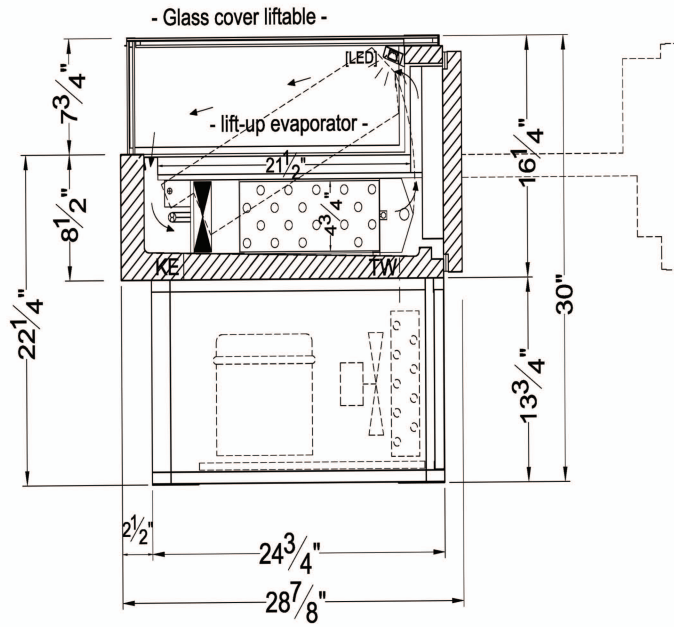
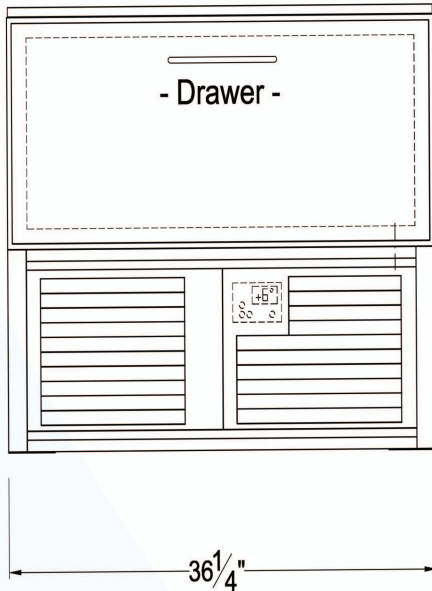
PROJECT: _____
TOLL FREE: 800-525-3692

MODEL # VICD-SQ MES

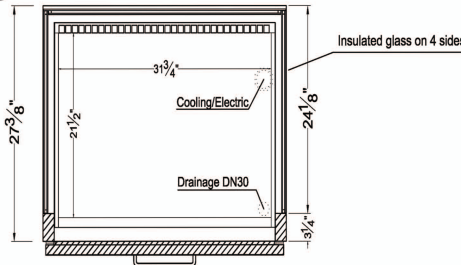
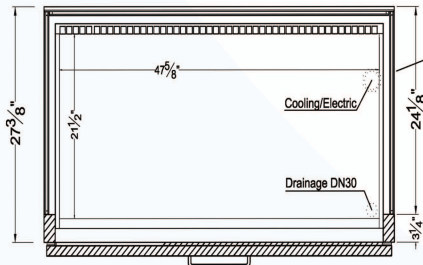
VICD3-20-R-SQ-SC MES



VICD2-20-R-SQ-SC MES



Electrical & Plumbing locations



* 448a refrigeration available at no additional cost - please specify

1. RPI Merchandiser is designed for use in stores where ambient temperatures and humidity do not exceed 75 Degrees Fahrenheit and 55%RH. Locate away from direct sunlight, rapid air currents and extreme temperature changes. Exposure to air currents from ceiling fans, air conditioning diffusers, ovens, etc. will disrupt the case air curtain and refrigerated zone. Refrigerated Displays are designed to maintain pre-chilled products. Adding or loading warm products above 41 Degree Fahrenheit can affect the temperature of the entire cabinet. Any adverse field conditions stated above will void warranty.

RPI in line with it's current policy to continually improve it's product reserves the right to change materials and specifications without notice.

CALL TOLL FREE: 800-525-3692 (609-714-2330)

FAX: 609-714-2331 www.rpiindustries.com

220 ROUTE 70, MEDFORD, NJ 08055

