

## MODEL # VIDD-SL FD SLANTED GLASS

### SPECIFICATIONS

The Vienna Series VIDD-SL FD is a non-refrigerated self service display merchandiser designed for counter-top application. Unit features slanted front flip-up access doors and see through hinged rear doors.



- Available lengths:  31 1/2"    44 1/4"    57 1/8"    69 7/8"  
 Available depths:  27 3/8"  
 Available heights:  20 7/8"    27 1/2"    34 1/4"

### STANDARD FEATURES

- Slanted Glass Profile
- 304 Stainless Steel Exterior
- Flip-up Front Access Doors
- Removable Tempered Glass Side Panels
- Hinged Rear See-Through Access Doors
- Energy Efficient LED Lighting
- Adjustable / Tilttable Tempered Glass Shelves with LED Lights
- 1 Year Parts and Labor Warranty

### OPTIONAL FEATURES

- Mirrored Rear Access Doors
- Sliding Rear Access Doors
- Rear Dook Locks
- Powder Coat Finish

MODEL	L	D	H	SHELVES	VOLT	AMPS	PLUG	WT
VIDD2-20-R-SL FD	31 1/2	27 3/8	20 7/8	1	115	1.0	5-15P	220
VIDD3-20-R-SL FD	44 1/4	27 3/8	20 7/8	1	115	1.0	5-15P	264
VIDD4-20-R-SL FD	57 1/8	27 3/8	20 7/8	1	115	1.0	5-15P	297
VIDD5-20-R-SL FD	69 7/8	27 3/8	20 7/8	1	115	1.0	5-15P	330
VIDD2-27-R-SL FD	31 1/2	27 3/8	27 1/2	2	115	1.0	5-15P	264
VIDD3-27-R-SL FD	44 1/4	27 3/8	27 1/2	2	115	1.0	5-15P	308
VIDD4-27-R-SL FD	57 1/8	27 3/8	27 1/2	2	115	1.0	5-15P	341
VIDD5-27-R-SL FD	69 7/8	27 3/8	27 1/2	2	115	1.0	5-15P	374
VIDD2-34-R-SL FD	31 1/2	27 3/8	34 1/4	3	115	1.0	5-15P	308
VIDD3-34-R-SL FD	44 1/4	27 3/8	34 1/4	3	115	1.0	5-15P	352
VIDD4-34-R-SL FD	57 1/8	27 3/8	34 1/4	3	115	1.0	5-15P	385
VIDD5-34-R-SL FD	69 7/8	27 3/8	34 1/4	3	115	1.0	5-15P	418



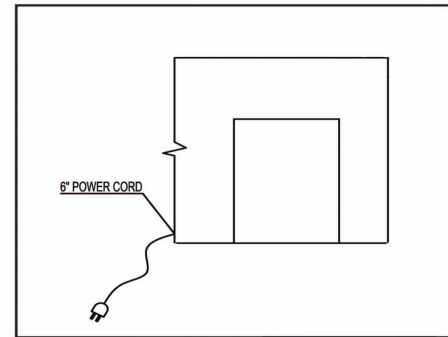
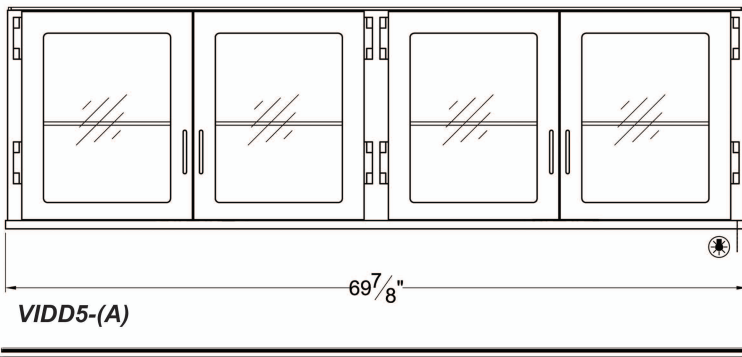
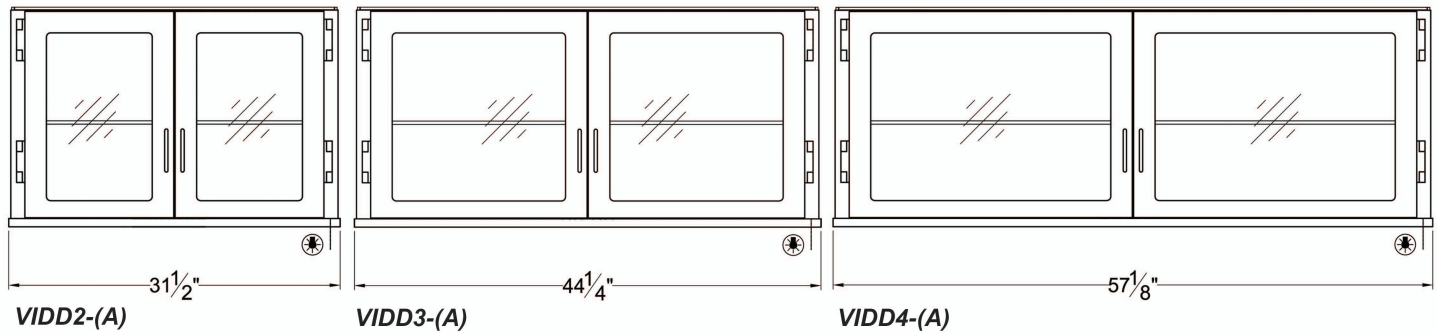
Conforms to UL Standard 471, and NSF Standard 7; Certified To CSA Standard C22.2 No.120

# VIENNA DRY DISPLAY SLANTED w/ FLIP-UP DOORS

PROJECT: \_\_\_\_\_

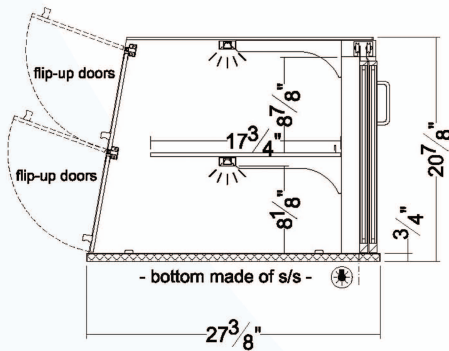
TOLL FREE: 800-525-3692

## MODEL # VIDD-SL FD SLANTED GLASS

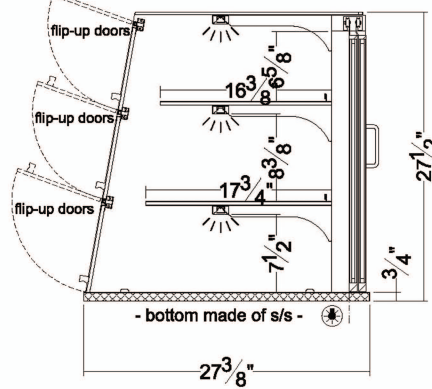


**Electrical locations**

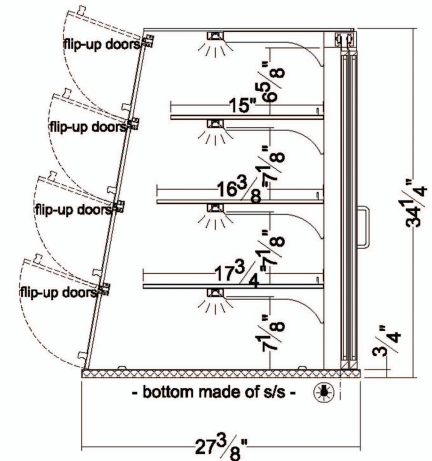
= Cable for lighting



**VIDD2-20-R-SL FD**



**VIDD2-27-R-SL FD**



**VIDD2-34-R-SL FD**

Any adverse field conditions will void warranty.

RPI in line with it's policy to continually improve it's product reserves the right to change materials and specifications without notice.

CALL TOLL FREE: 800-525-3692 (609-714-2330)

FAX: 609-714-2331 [www.rpiindustries.com](http://www.rpiindustries.com)

220 ROUTE 70, MEDFORD, NJ 08055