

MODEL # VIDD-SQ FD SQUARED GLASS

SPECIFICATIONS

The Vienna Series VIDD-SQ FD is a non-refrigerated self service display merchandiser designed for counter-top application. Unit features squared front flip-up access doors and see through hinged rear doors.



- Available lengths: 31 1/2" 44 1/4" 57 1/8" 69 7/8"
 Available depths: 27 3/8"
 Available heights: 20 7/8" 27 1/2" 34 1/4"

STANDARD FEATURES

- Squared Glass Profile
- 304 Stainless Steel Exterior
- Flip-up Front Access Doors
- Removable Tempered Glass Side Panels
- Hinged Rear See-Through Access Doors
- Energy Efficient LED Lighting
- Adjustable / Tilttable Tempered Glass Shelves with LED Lights
- 1 Year Parts and Labor Warranty

OPTIONAL FEATURES

- Mirrored Rear Access Doors
- Sliding Rear Access Doors
- Rear Dook Locks
- Powder Coat Finish

MODEL	L	D	H	SHELVES	VOLT	AMPS	PLUG	WT
VIDD2-20-R-SQ FD	31 1/2	27 3/8	20 7/8	1	115	1.0	5-15P	220
VIDD3-20-R-SQ FD	44 1/4	27 3/8	20 7/8	1	115	1.0	5-15P	264
VIDD4-20-R-SQ FD	57 1/8	27 3/8	20 7/8	1	115	1.0	5-15P	297
VIDD5-20-R-SQ FD	69 7/8	27 3/8	20 7/8	1	115	1.0	5-15P	330
VIDD2-27-R-SQ FD	31 1/2	27 3/8	27 1/2	2	115	1.0	5-15P	264
VIDD3-27-R-SQ FD	44 1/4	27 3/8	27 1/2	2	115	1.0	5-15P	308
VIDD4-27-R-SQ FD	57 1/8	27 3/8	27 1/2	2	115	1.0	5-15P	341
VIDD5-27-R-SQ FD	69 7/8	27 3/8	27 1/2	2	115	1.0	5-15P	374
VIDD2-34-R-SQ FD	31 1/2	27 3/8	34 1/4	3	115	1.0	5-15P	308
VIDD3-34-R-SQ FD	44 1/4	27 3/8	34 1/4	3	115	1.0	5-15P	352
VIDD4-34-R-SQ FD	57 1/8	27 3/8	34 1/4	3	115	1.0	5-15P	385
VIDD5-34-R-SQ FD	69 7/8	27 3/8	34 1/4	3	115	1.0	5-15P	418



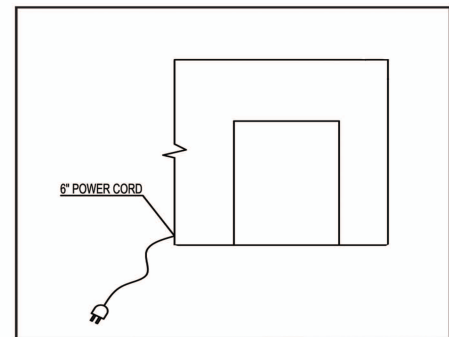
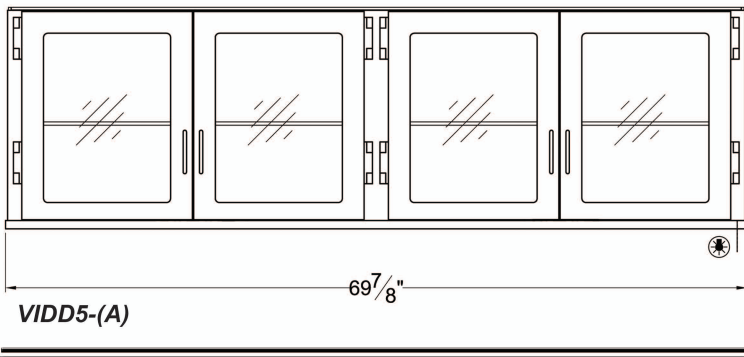
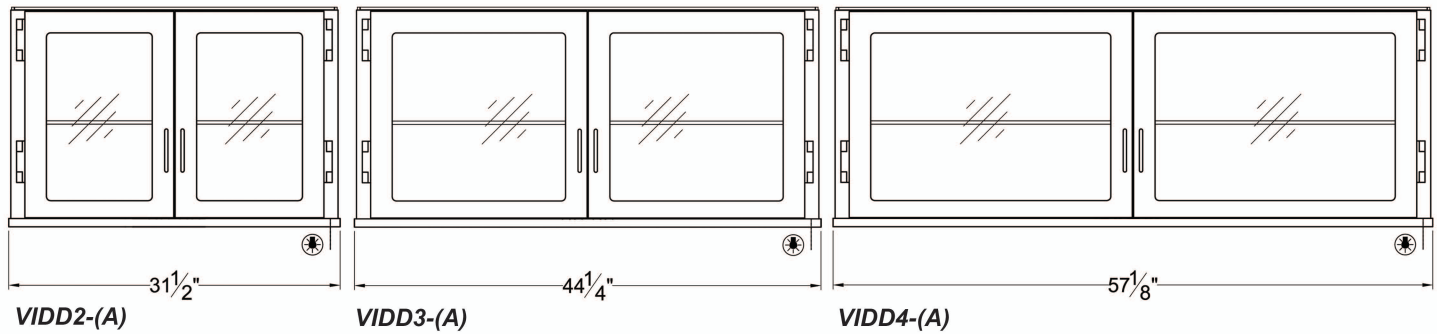
Conforms to UL Standard 471,
 and NSF Standard 7; Certified
 To CSA Standard C22.2 No.120

CALL TOLL FREE: 800-525-3692 (609-714-2330)

FAX: 609-714-2331 www.rpiindustries.com

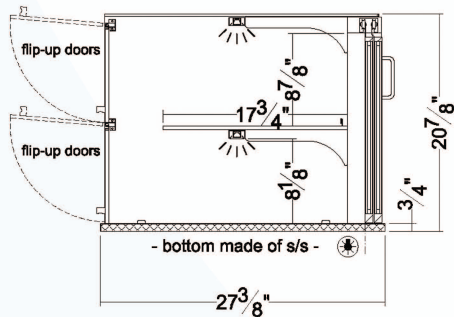
220 ROUTE 70, MEDFORD, NJ 08055

MODEL # VIDD-SQ FD SQUARED GLASS

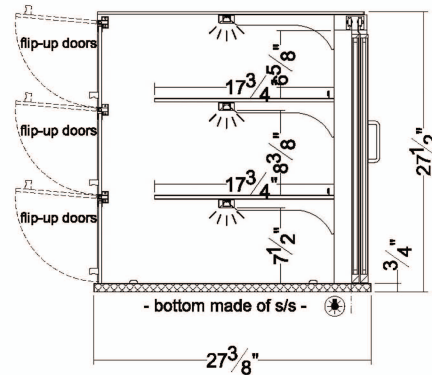


Electrical locations

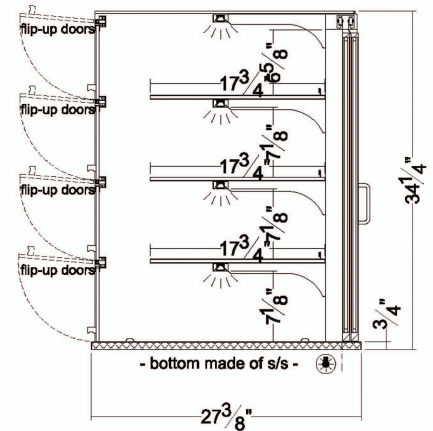
= Cable for lighting



VIDD2-20-R-SQ FD



VIDD2-27-R-SQ FD



VIDD2-34-R-SQ FD

RPI in line with its policy to continually improve its product reserves the right to change materials and specifications without notice.

CALL TOLL FREE: 800-525-3692 (609-714-2330)

FAX: 609-714-2331 www.rpiindustries.com

220 ROUTE 70, MEDFORD, NJ 08055